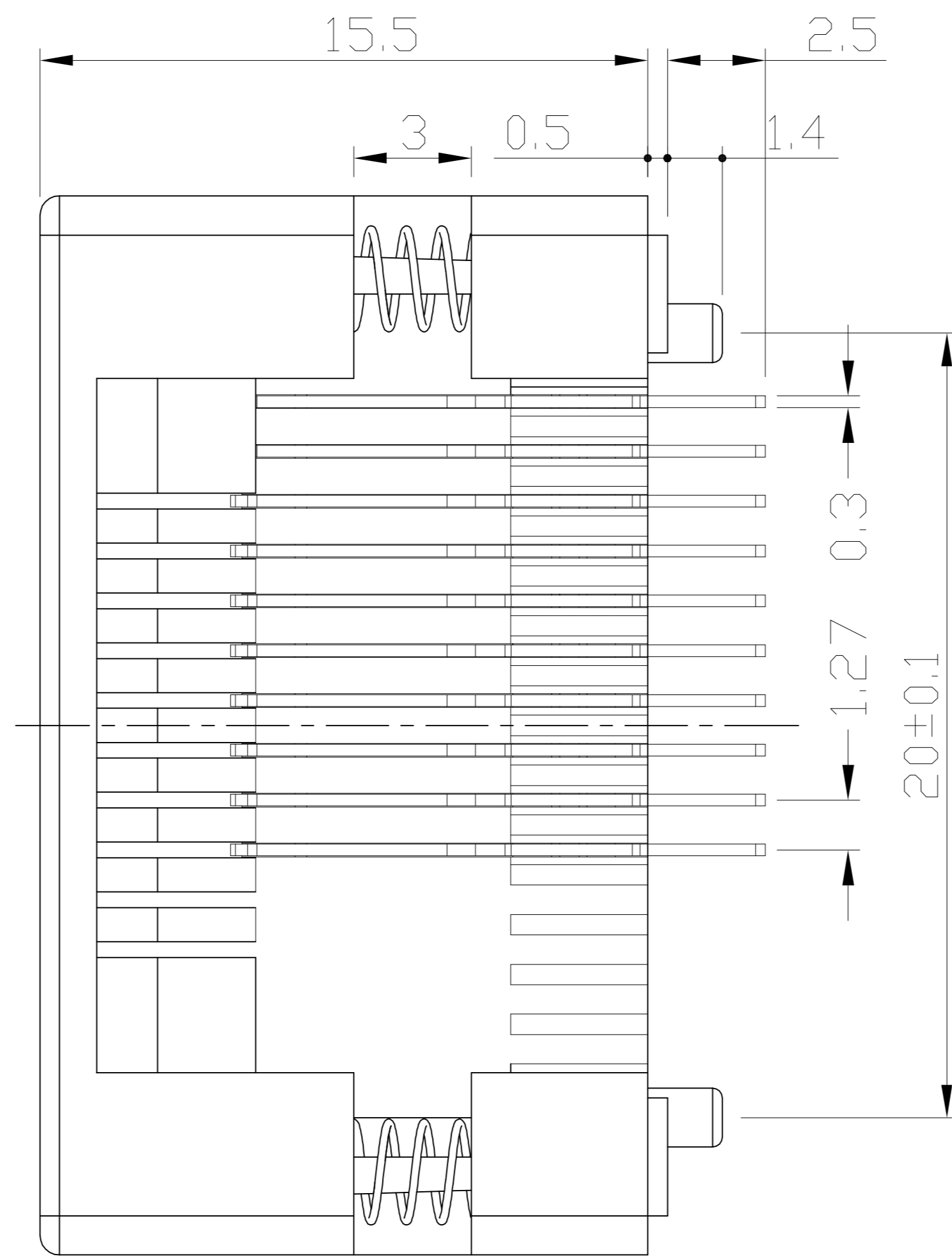
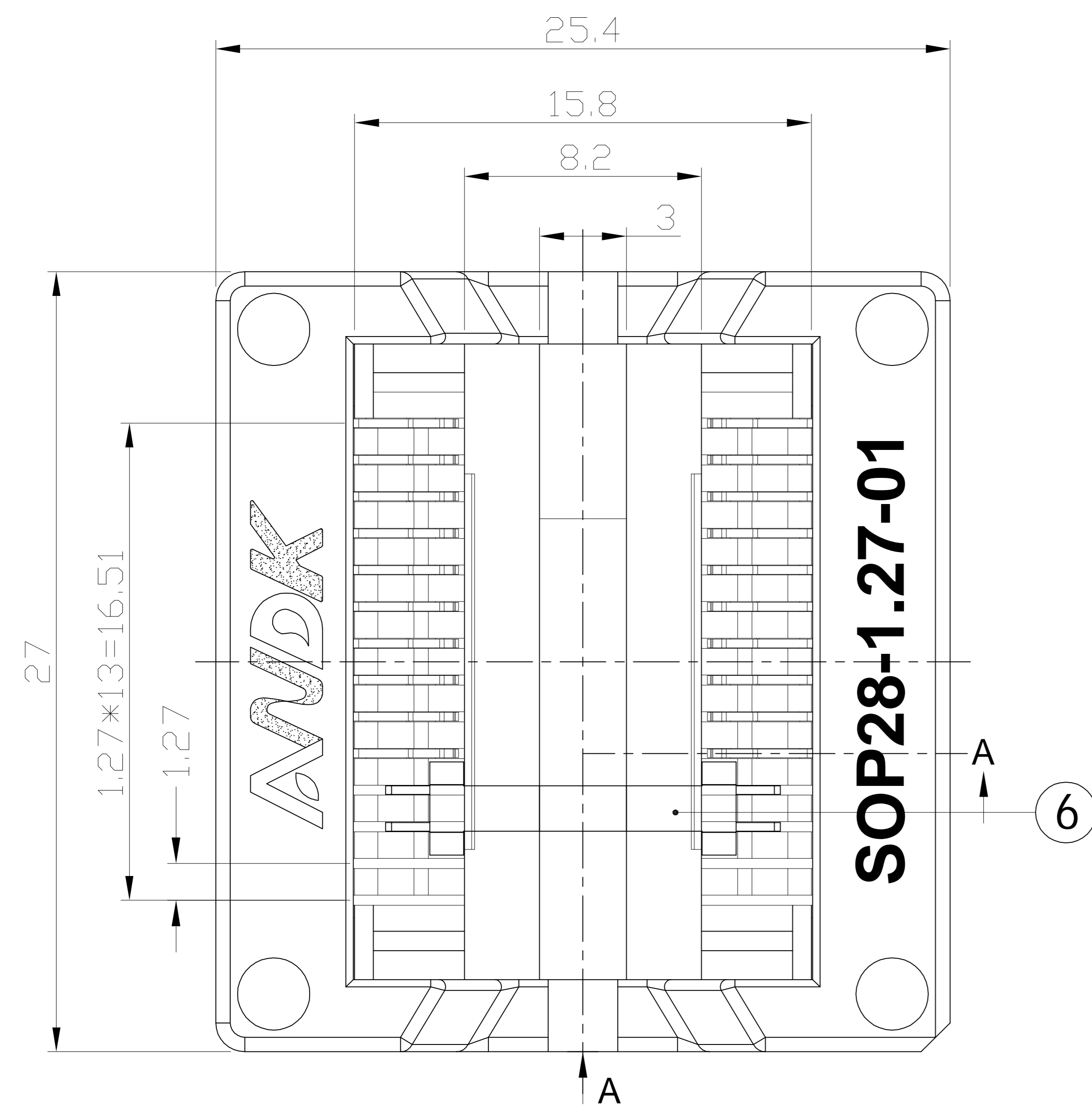
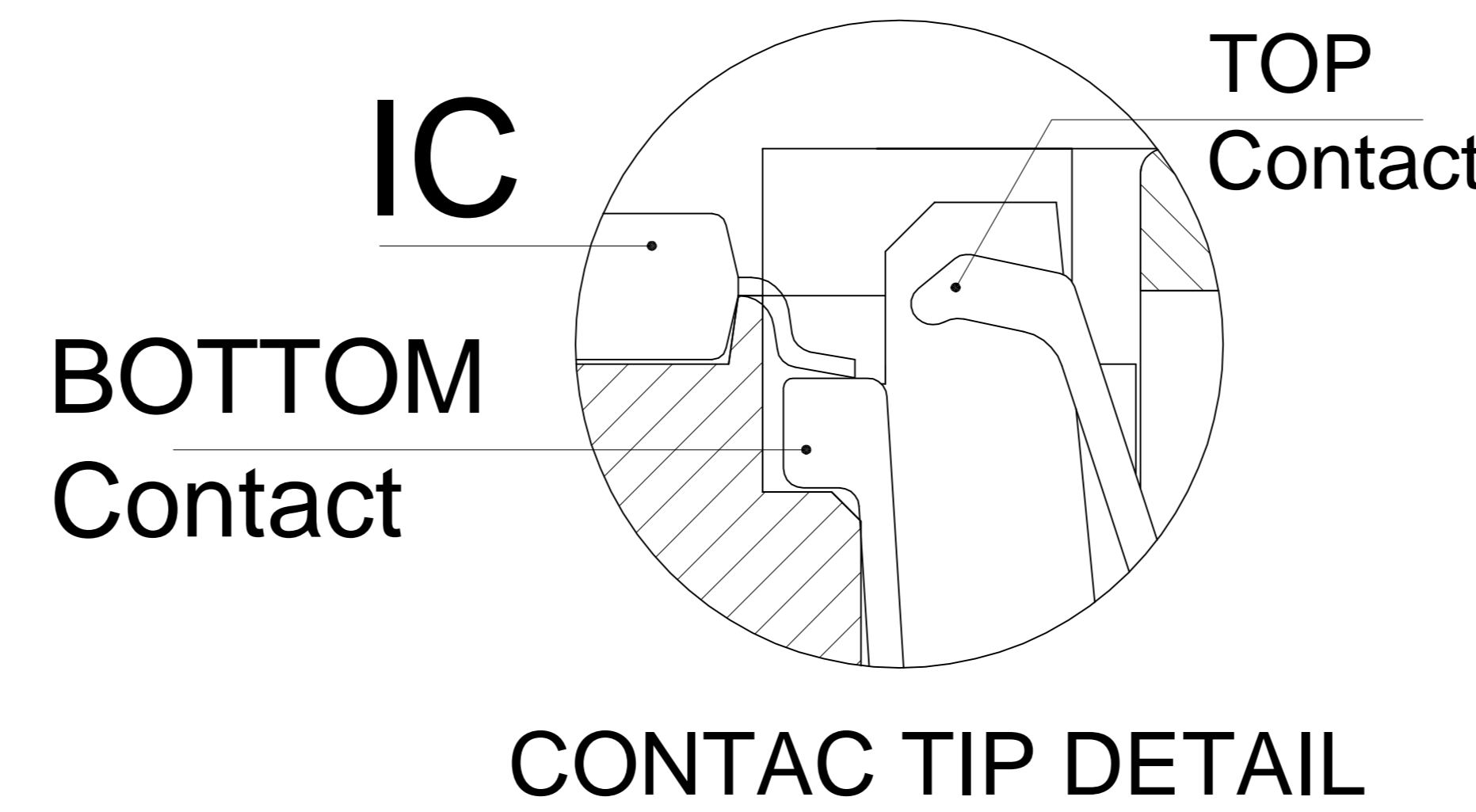
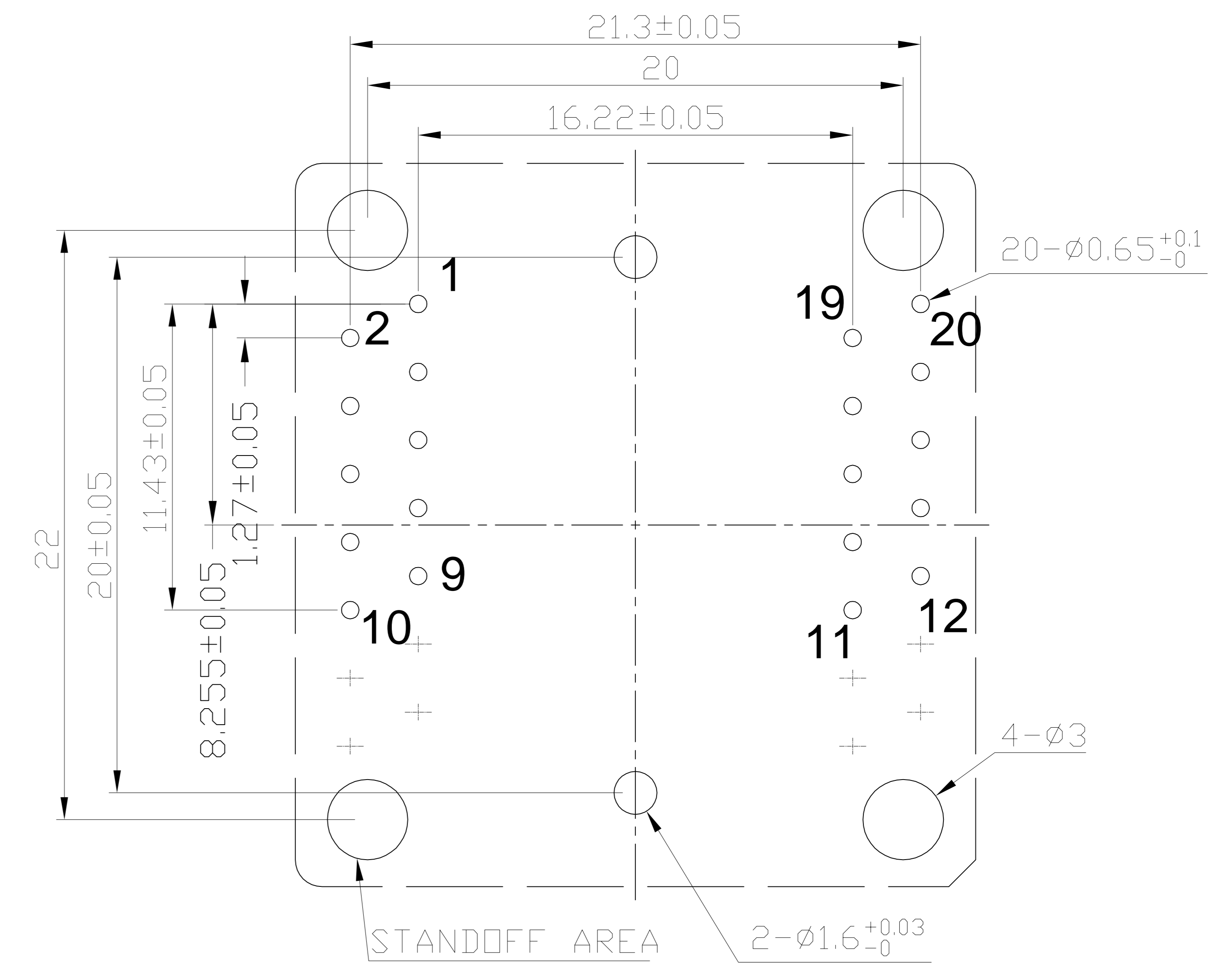


REVISION	DESCRIPTION	CHECK	APP	DATE	REV. NOTICE. NO
△ 1					
△ 2					
△ 3					



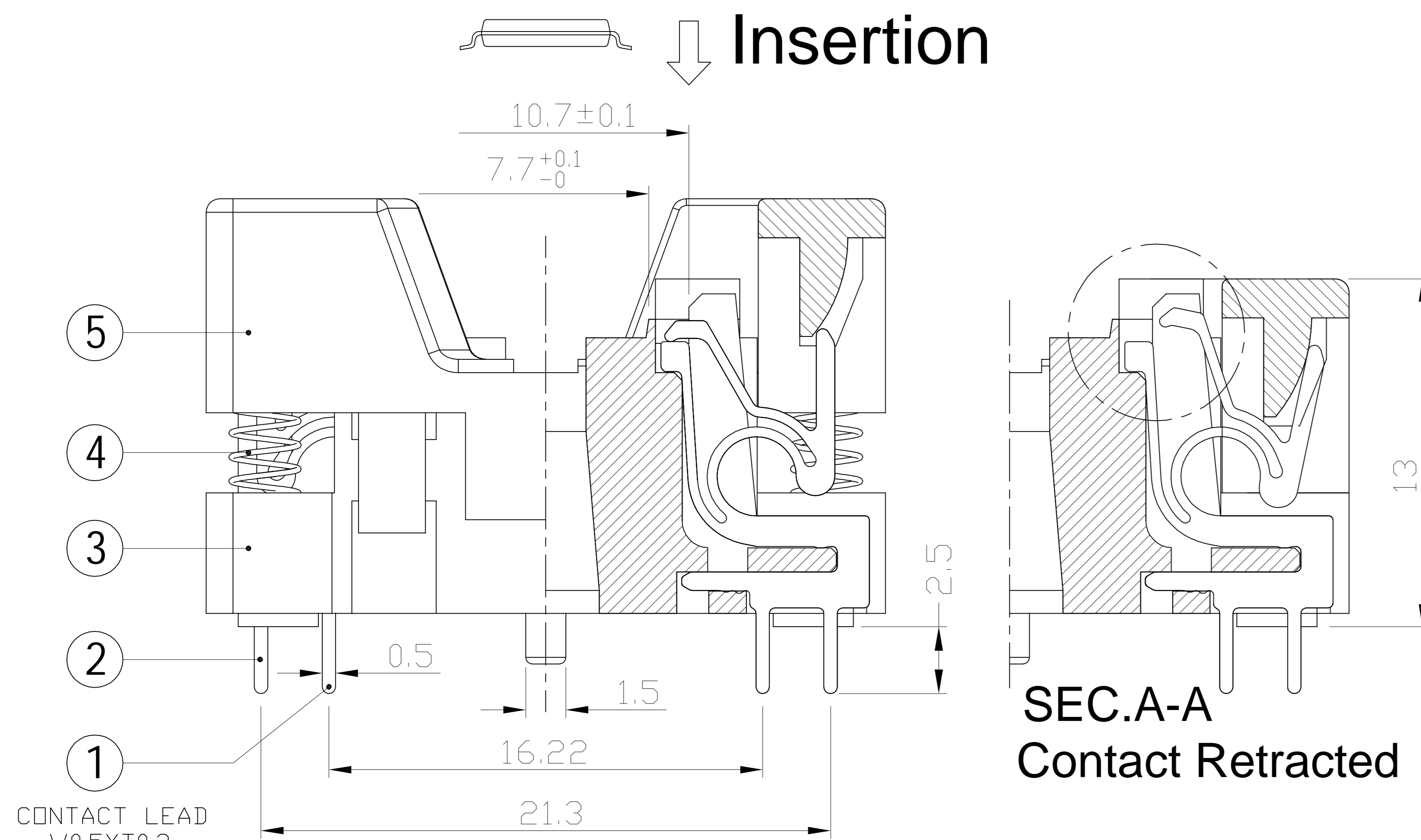
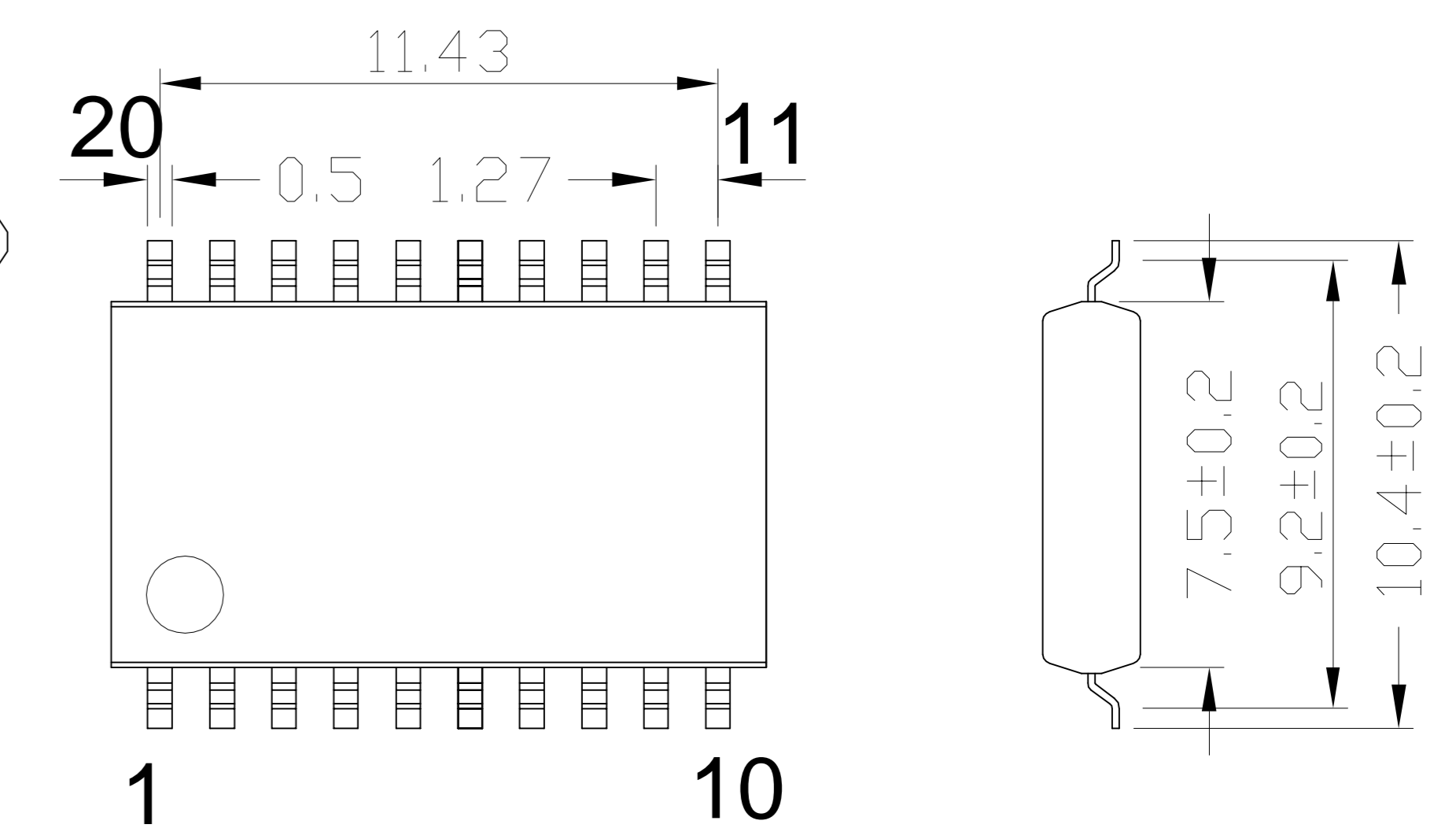
PCB PATTERN (TOP VIEW)



PERFORMANCE

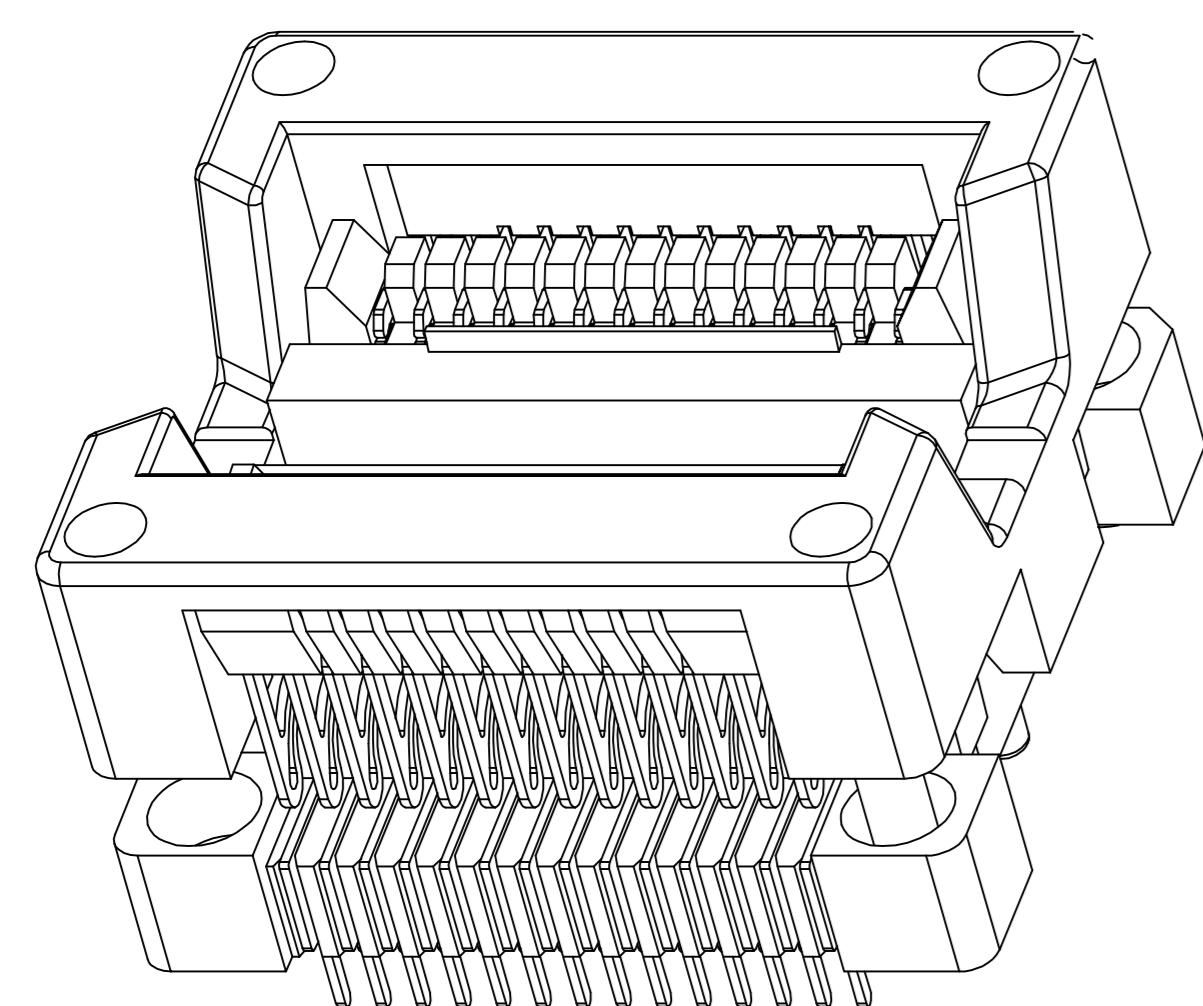
1. Insulation Resistance: 1000mΩ Min.At DC 500V
2. Dielectric Withstanding Voltage For 1 Minute At AC 700V
3. Contact Resistance 30mΩ MAX. at 10mA and 20mV MAX.(Initial)
4. Current Rating: 1A max.
5. Operation Temperature -55°C ~+175°C
6. Life Span 15,000 Times (Mechanical)
7. Operation Force 1.0 Kg MAX

APPLICABLE IC



SEC.A-A Contact Retracted

SEC.A-A



6	SDP-28-U01-003	ADAPTER	PEI/PES	1	BLACK	TOLERANCE	PROJECTION		GENERAL TOLERANCES	±0.10	TITLE	SOP28-1.27 SOCKET			
5	SDP-28-U01-002	COVER	PEI/PES	1	BLACK				REV	A	CLASS	SOP20(28)-1.27-TP02NT			
4	30-B-4515X	SPRING	SUS	4	FOR COVER				X. ± 0.50	DIMENSION:	mm	SCALE:	1:1	DRW. NO	OTS-20(28)-1.27-04
3	SDP-28-U01-001	BASE	PEI/PES	1	BLACK				X.X ± 0.25	APP:		DATE:			
2	SDP-28-MSBR-02	CONTACT	BeCu	10	Au PLATING				X.XX ± 0.10	CHECK:		DATE:			
1	SDP-28-MSBR-01	CONTACT	BeCu	10	Au PLATING				X.XXX ± 0.05	DEGK:	ENG03	DATE:	20150606		
No	Part Number	Name	Material	Q/ty	Note										

