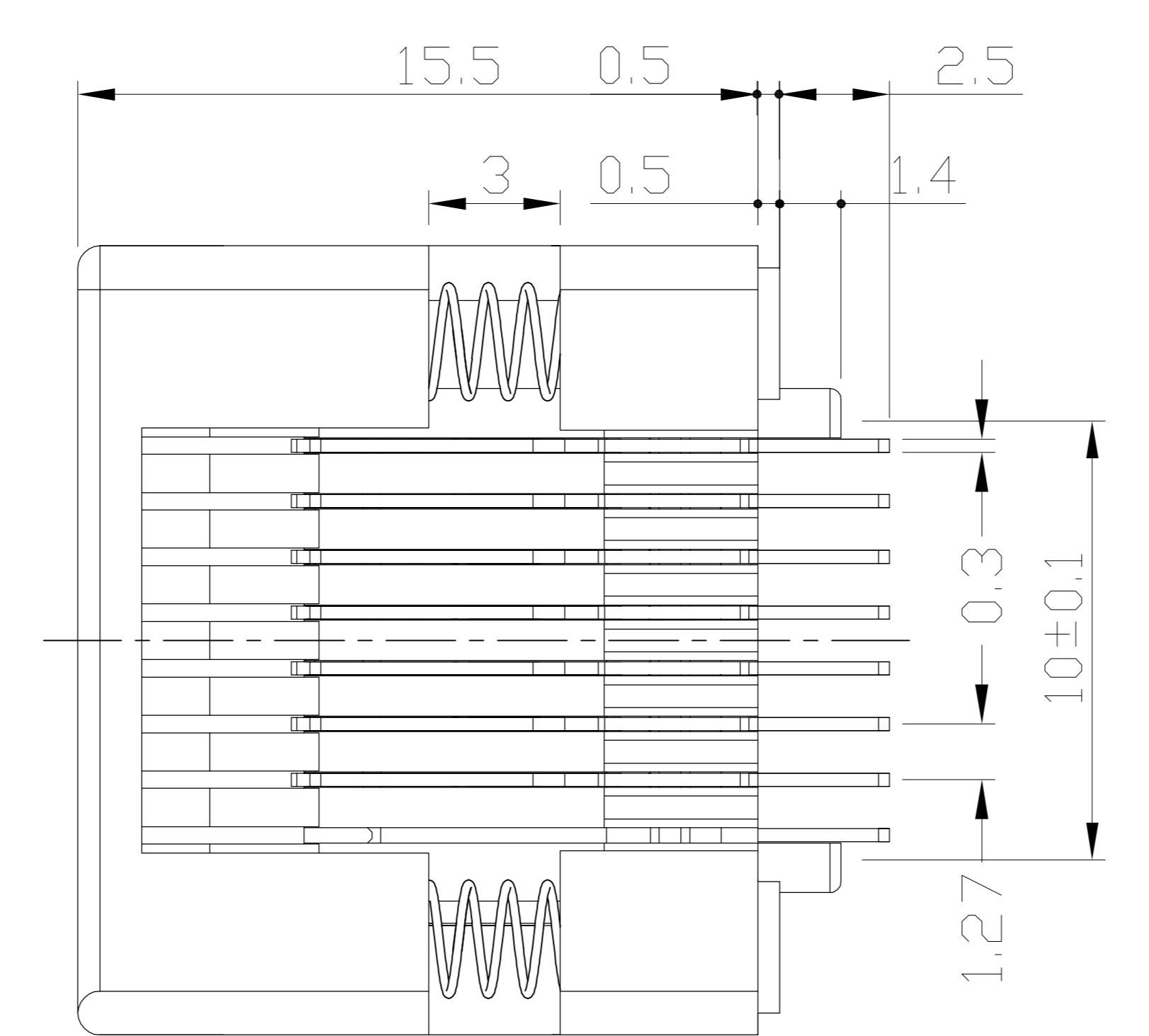
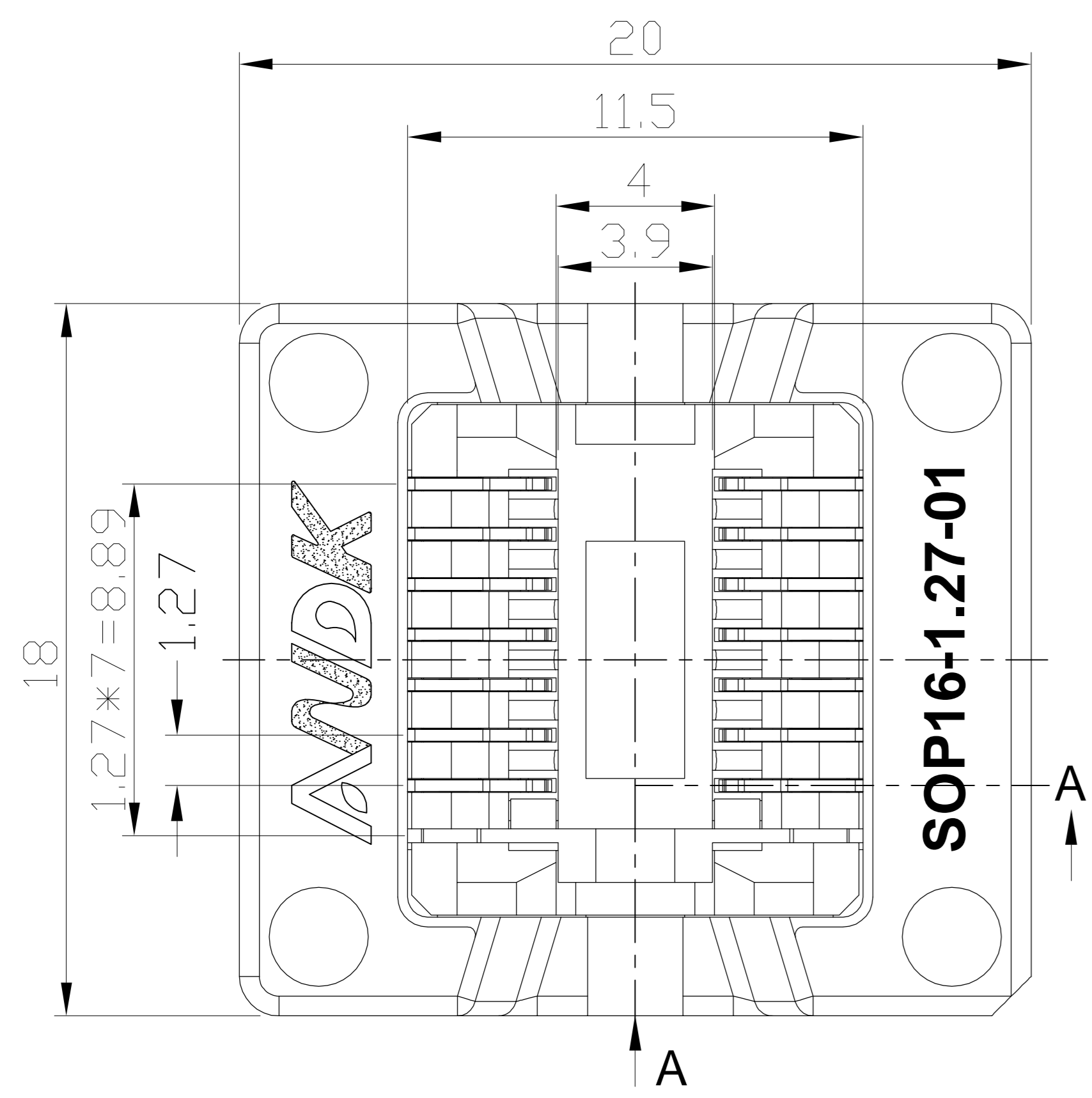
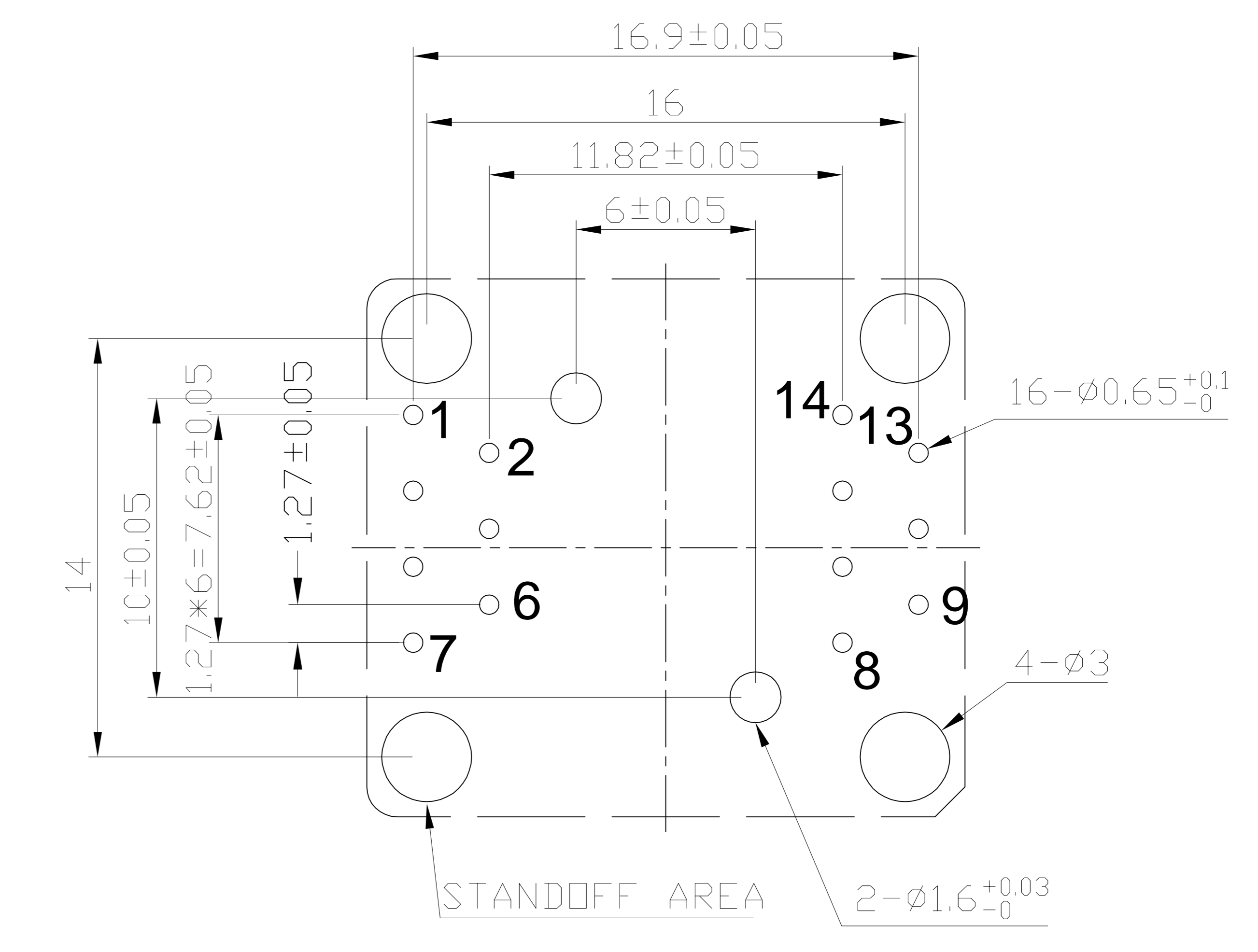


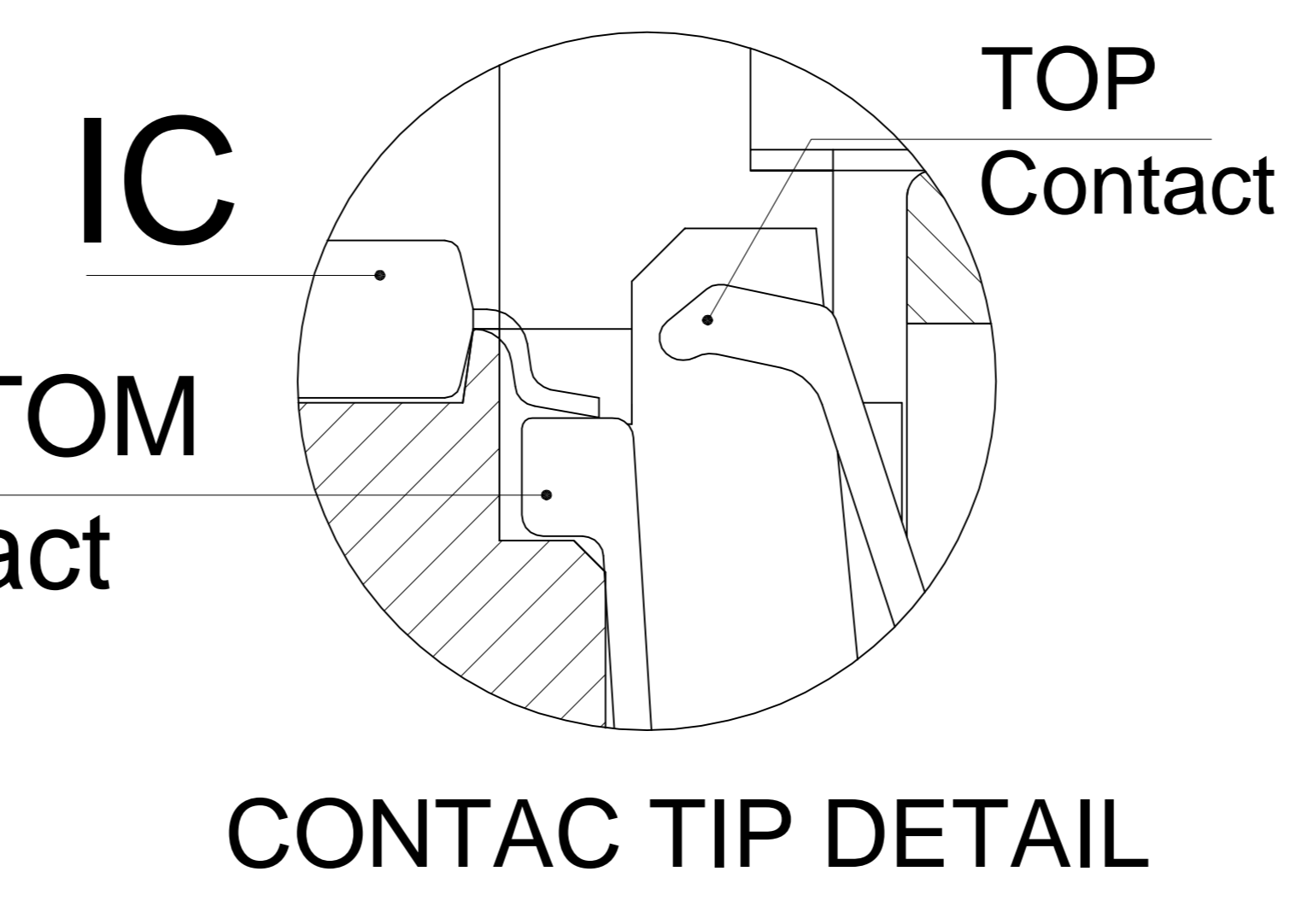
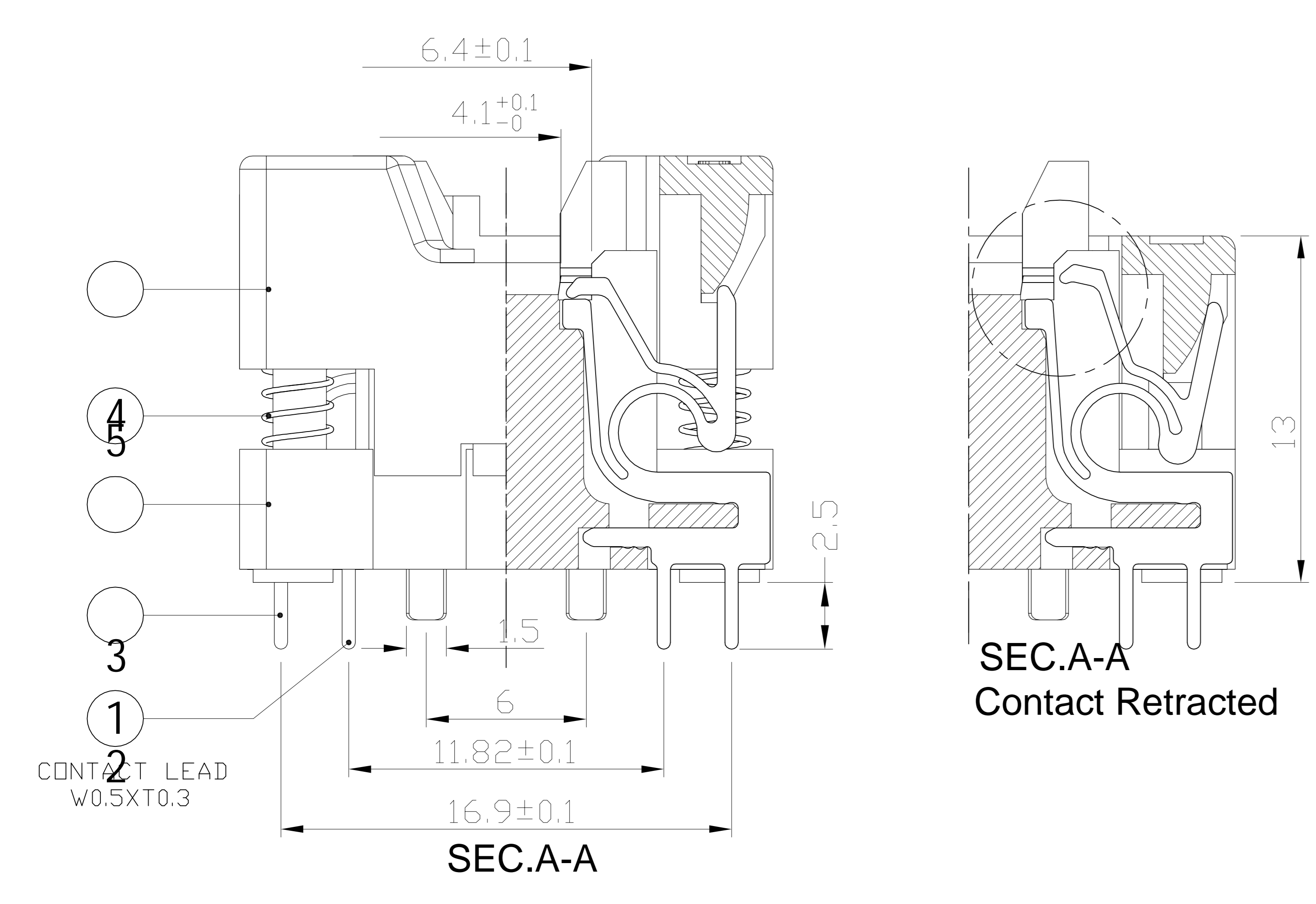
REVISION	DESCRIPTION	CHECK	APP	DATE	REV. NOTICE. NO
△ 1					
△ 2					
△ 3					



PCB PATTERN (TOP VIEW)



Insertion

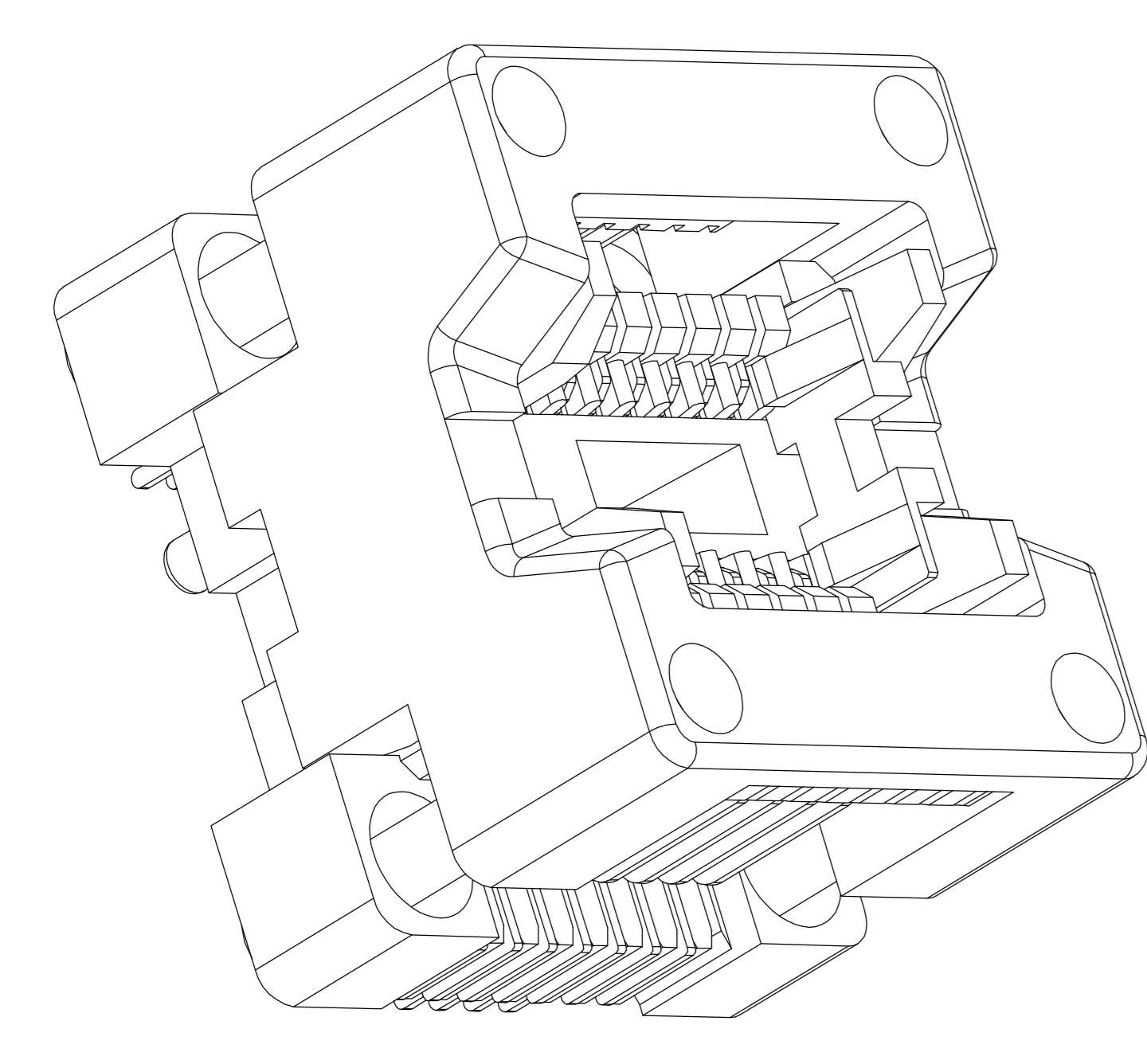
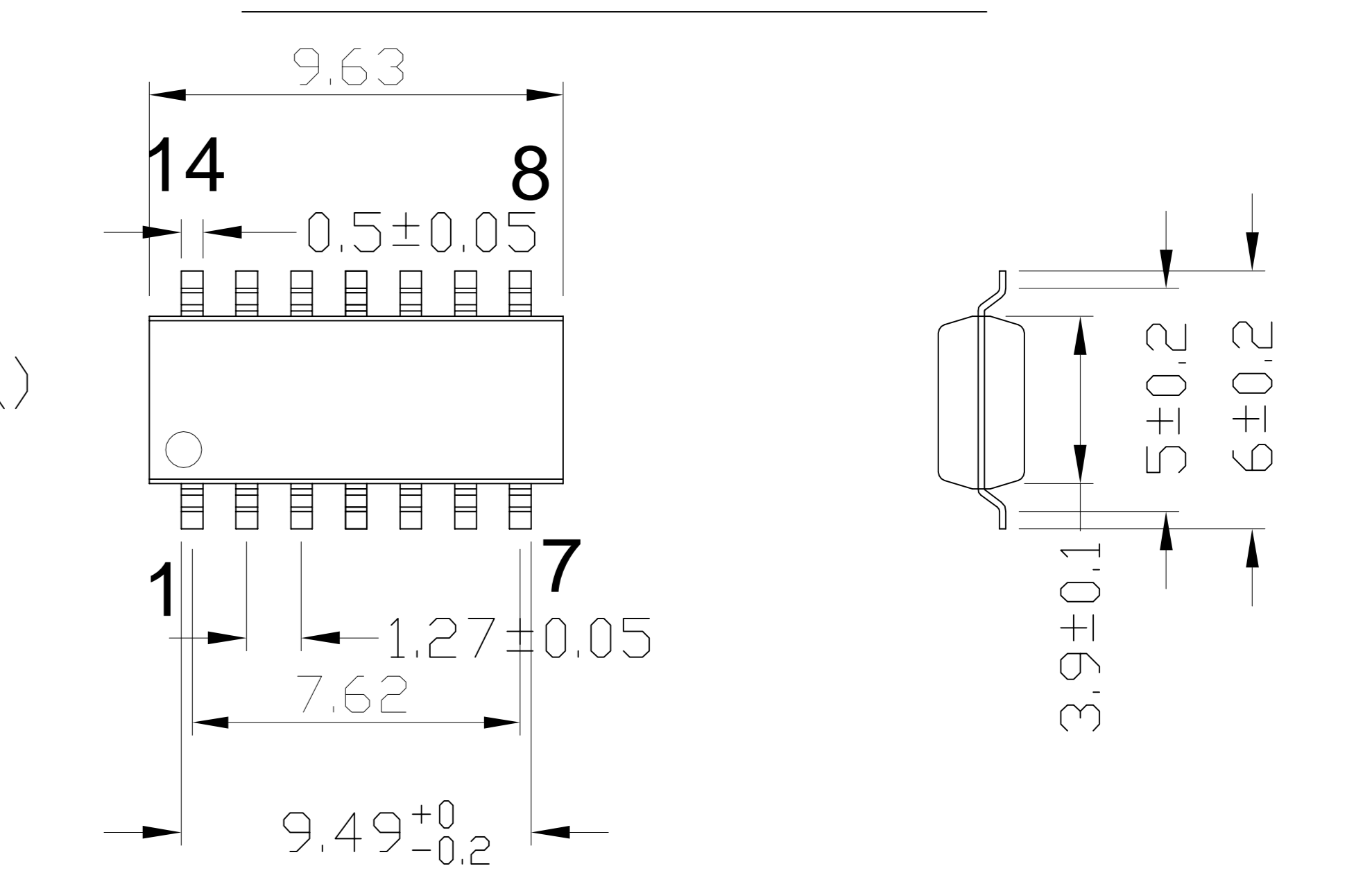


CONTACT TIP DETAIL

PERFORMANCE

1. Insulation Resistance: 1000mΩ Min.At DC 500V
2. Dielectric Withstanding Voltage For 1 Minute At AC 700V
3. Contact Resistance 30mΩ MAX. at 10mA and 20mV MAX.(Initial)
4. Current Rating: 1A max.
5. Operation Temperature -55°C ~+175°C
6. Life Span 15,000 Times (Mechanical)
7. Operation Force 1.0 Kg MAX

APPL ICABLE IC



5	SOP-16-U01-002	COVER	PEI/PES	1	BLACK	TOLERANCE	PROJECTION	GENERAL TOLERANCES	±0.10	TITLE	SOP16-1.27 SOCKET
4	30-B-4515X	SPRING	SUS	4	FOR COVER						R E V
3	SOP-16-U01-001	BASE	PEI/PES	1	BLACK	X. ± 0.50	DIMENSION: mm	SCALE: 1:1	DRW. NO	SOP-14/16-1.27-S01	
2	SOP-16-MSBR-02	CONTACT	BeCu	7	Au PLATING	X.X ± 0.25	APP:	DATE:			
1	SOP-16-MSBR-01	CONTACT	BeCu	7	Au PLATING	X.XX ± 0.10	CHECK:	DATE:			
No	Part Number	Name	Material	Q/ty	Note	X.XXX ± 0.05	DEGK: ENG02	DATE: 20150606			