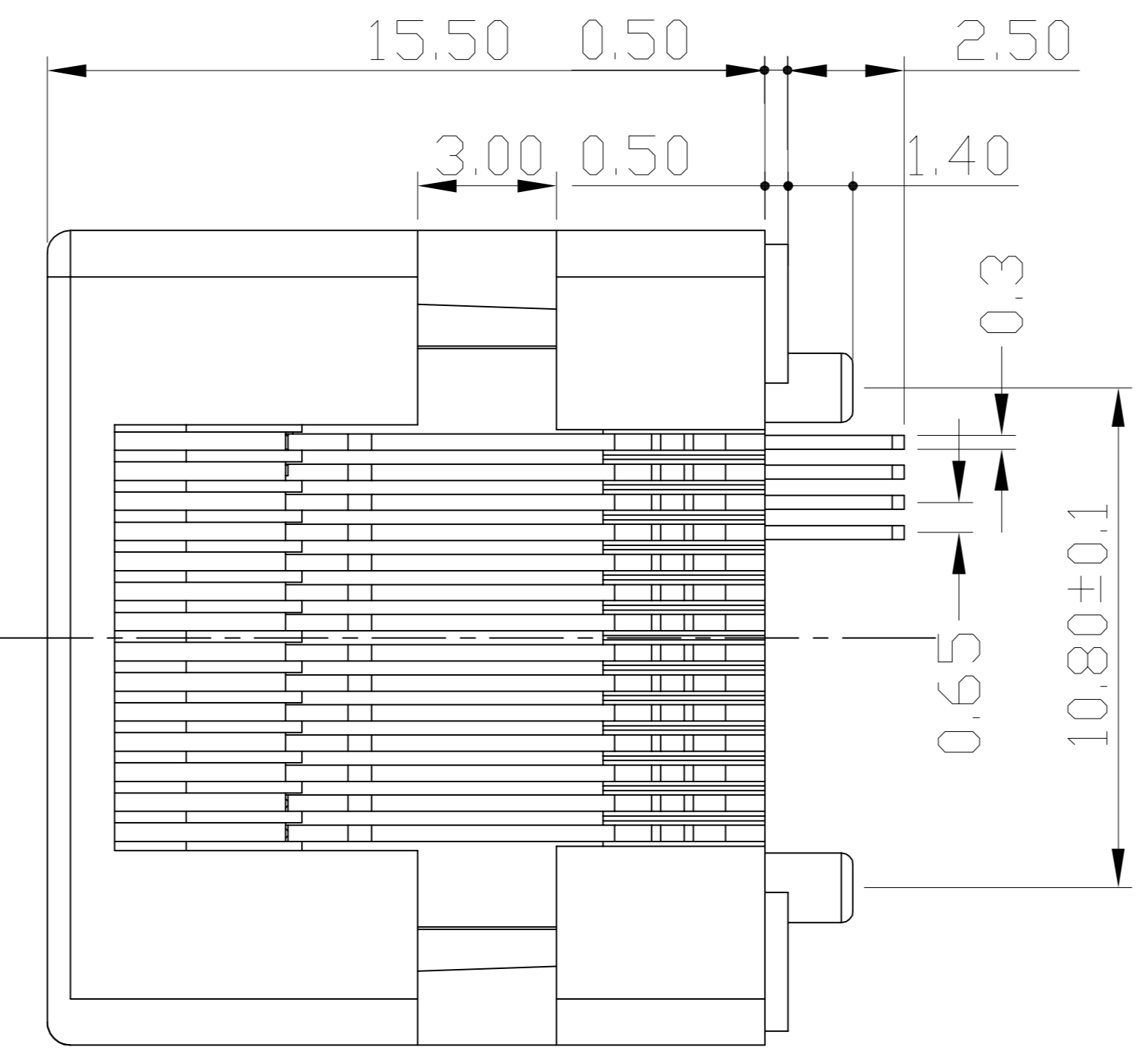
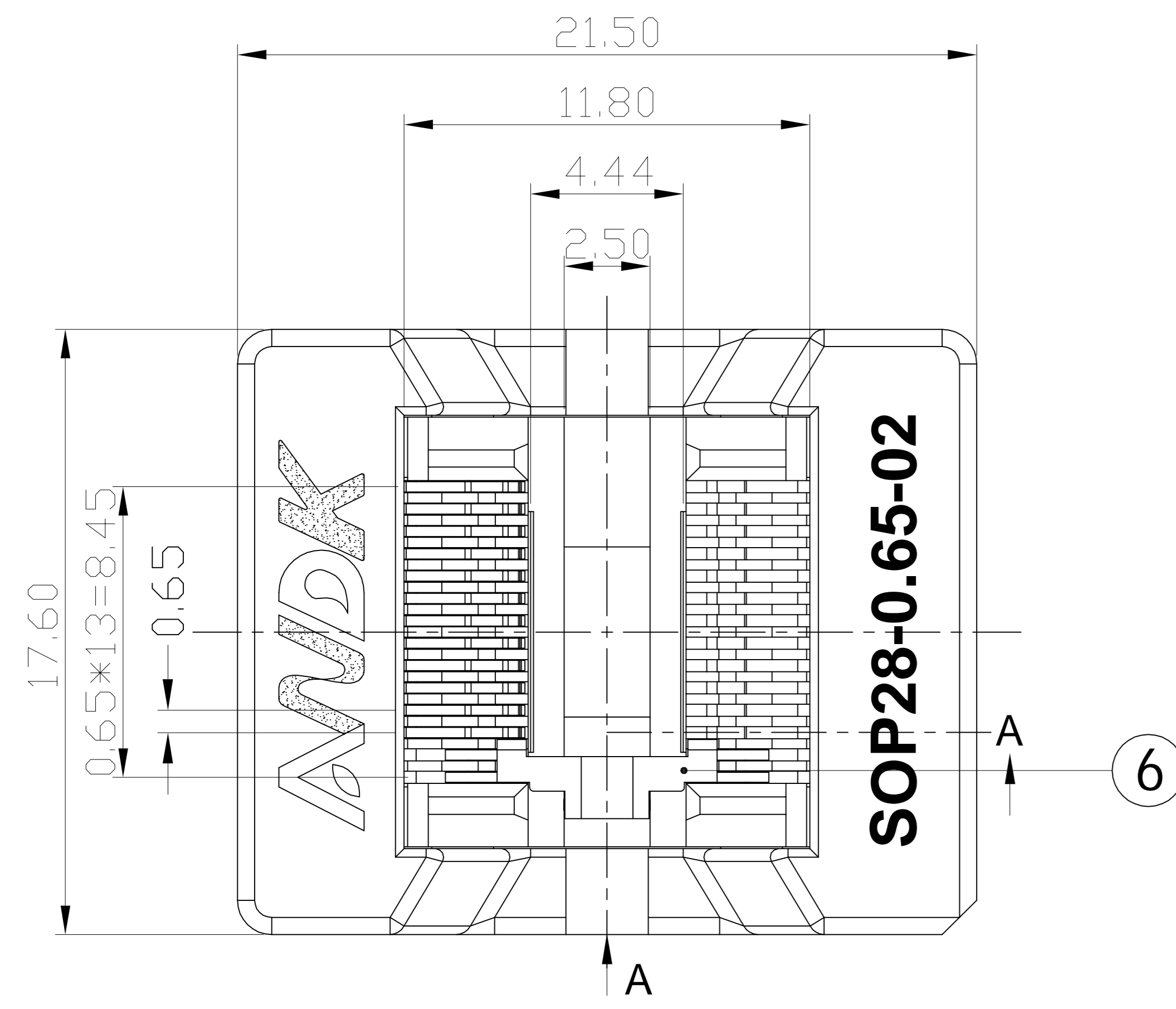
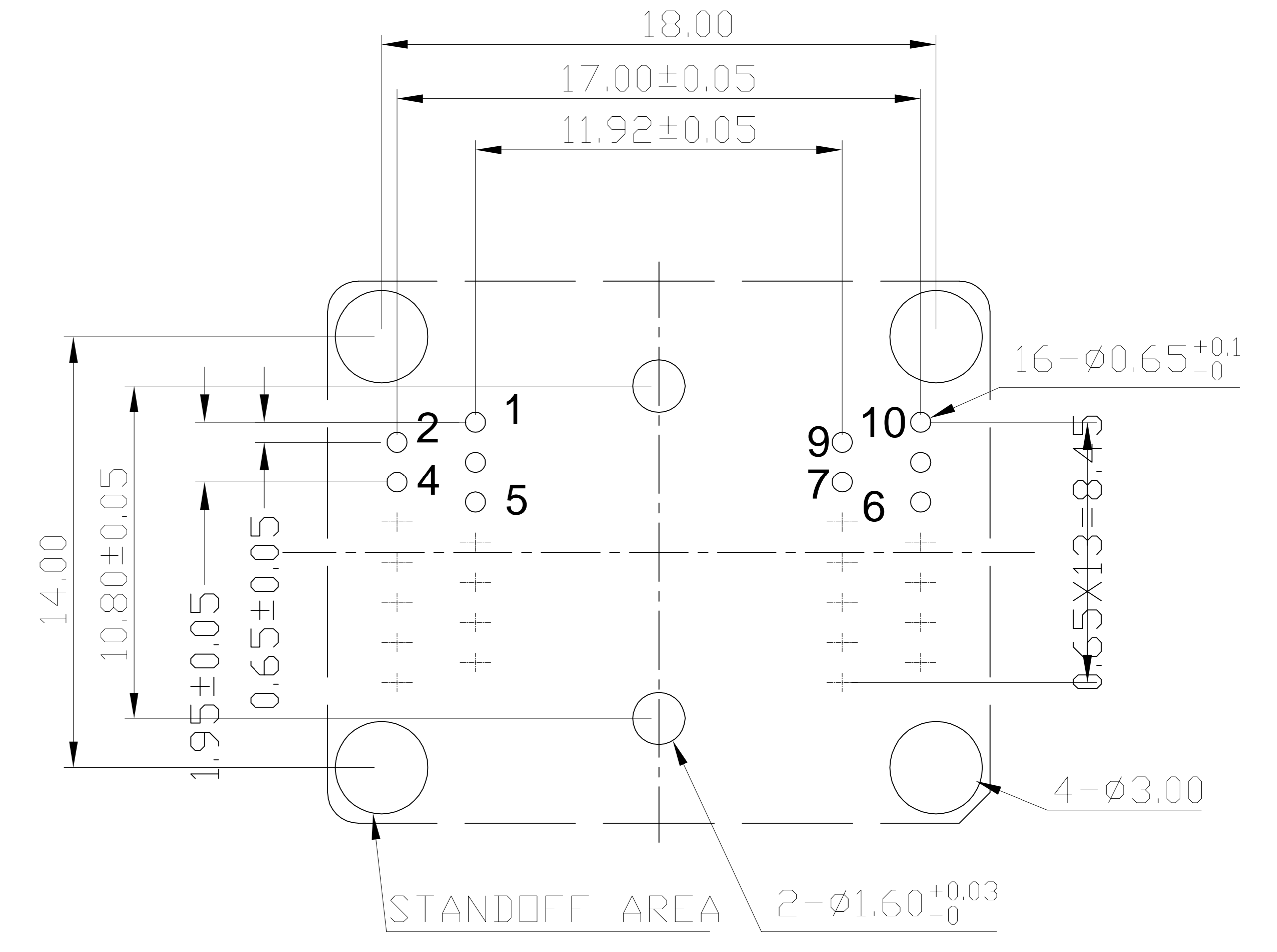


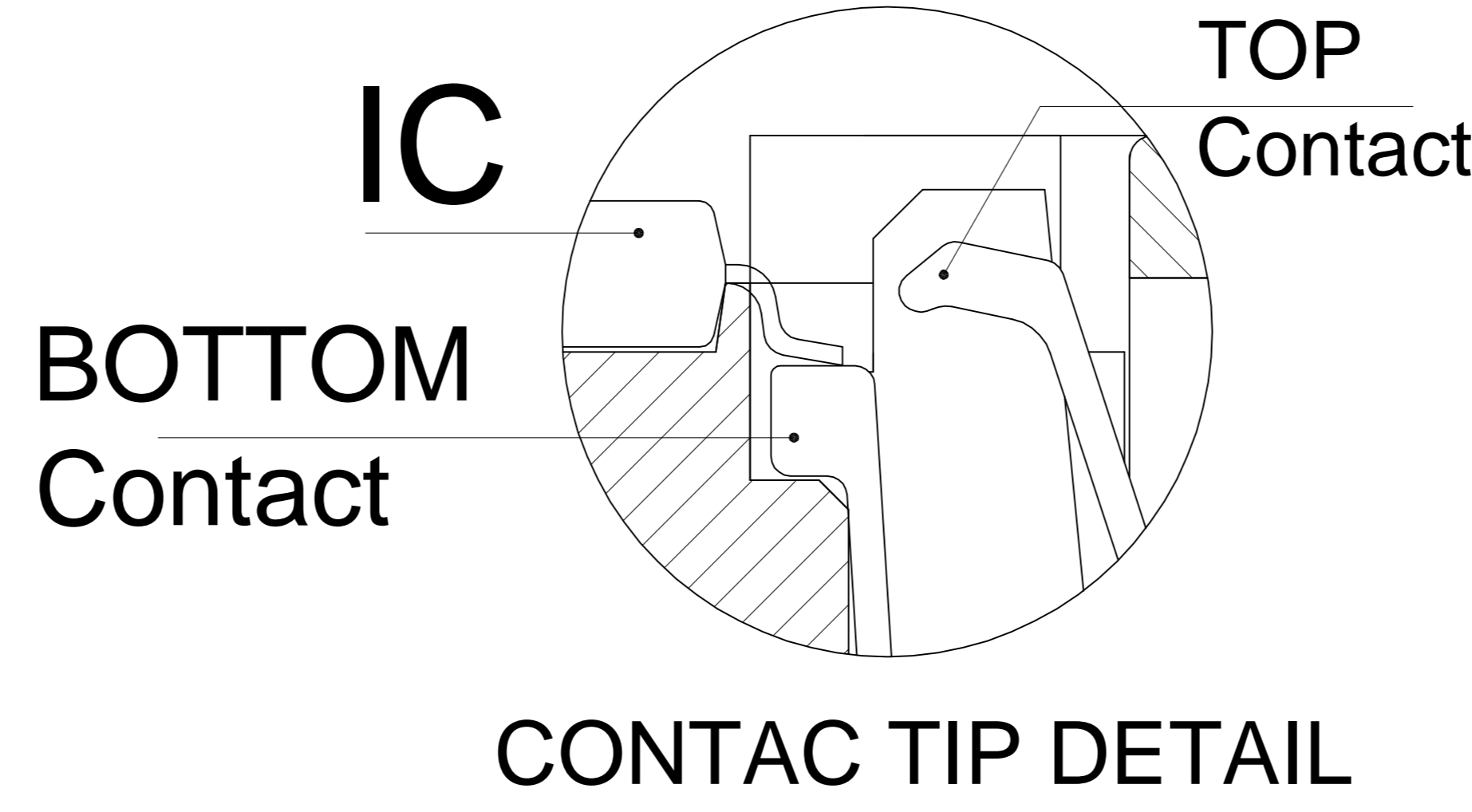
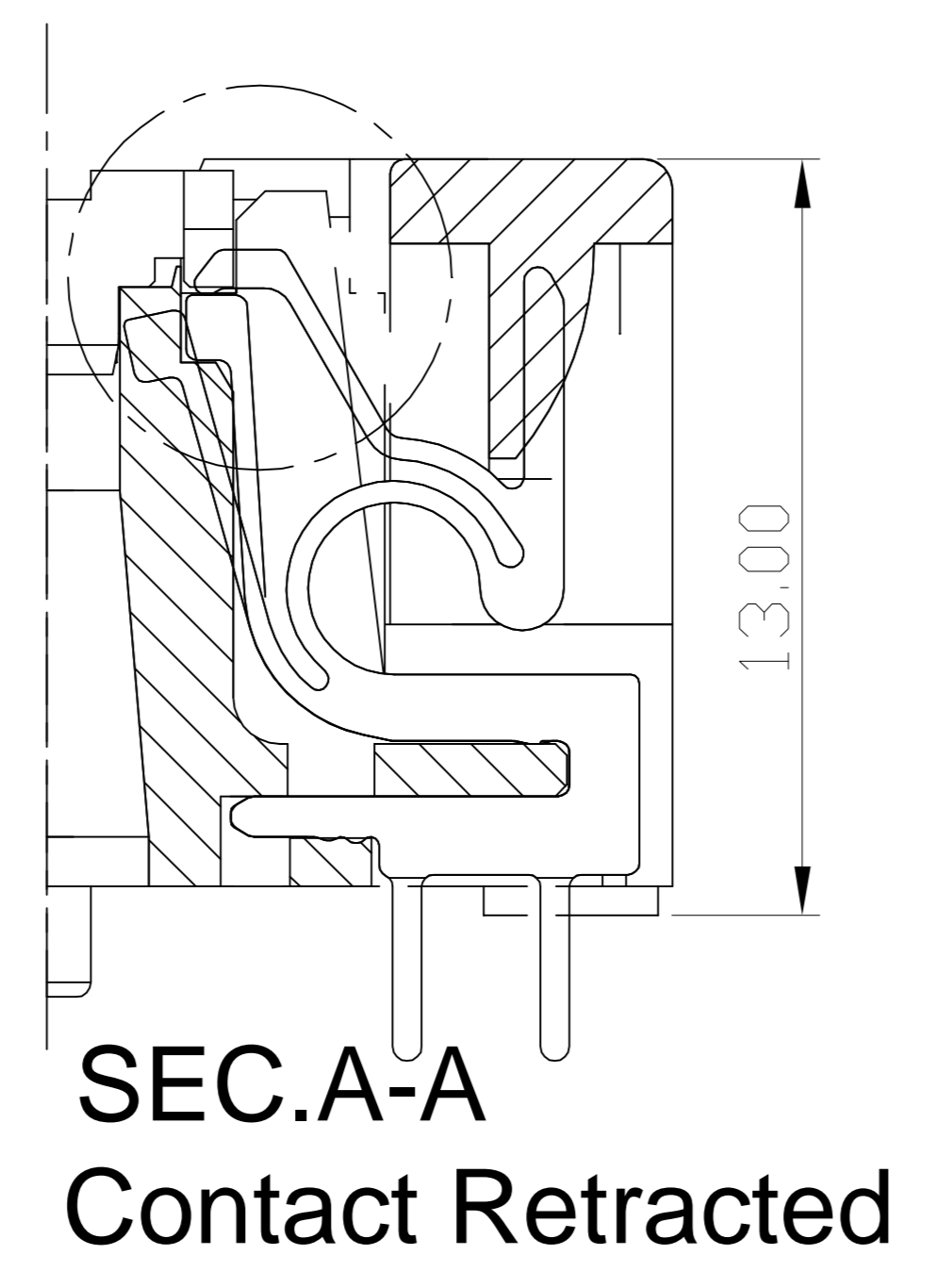
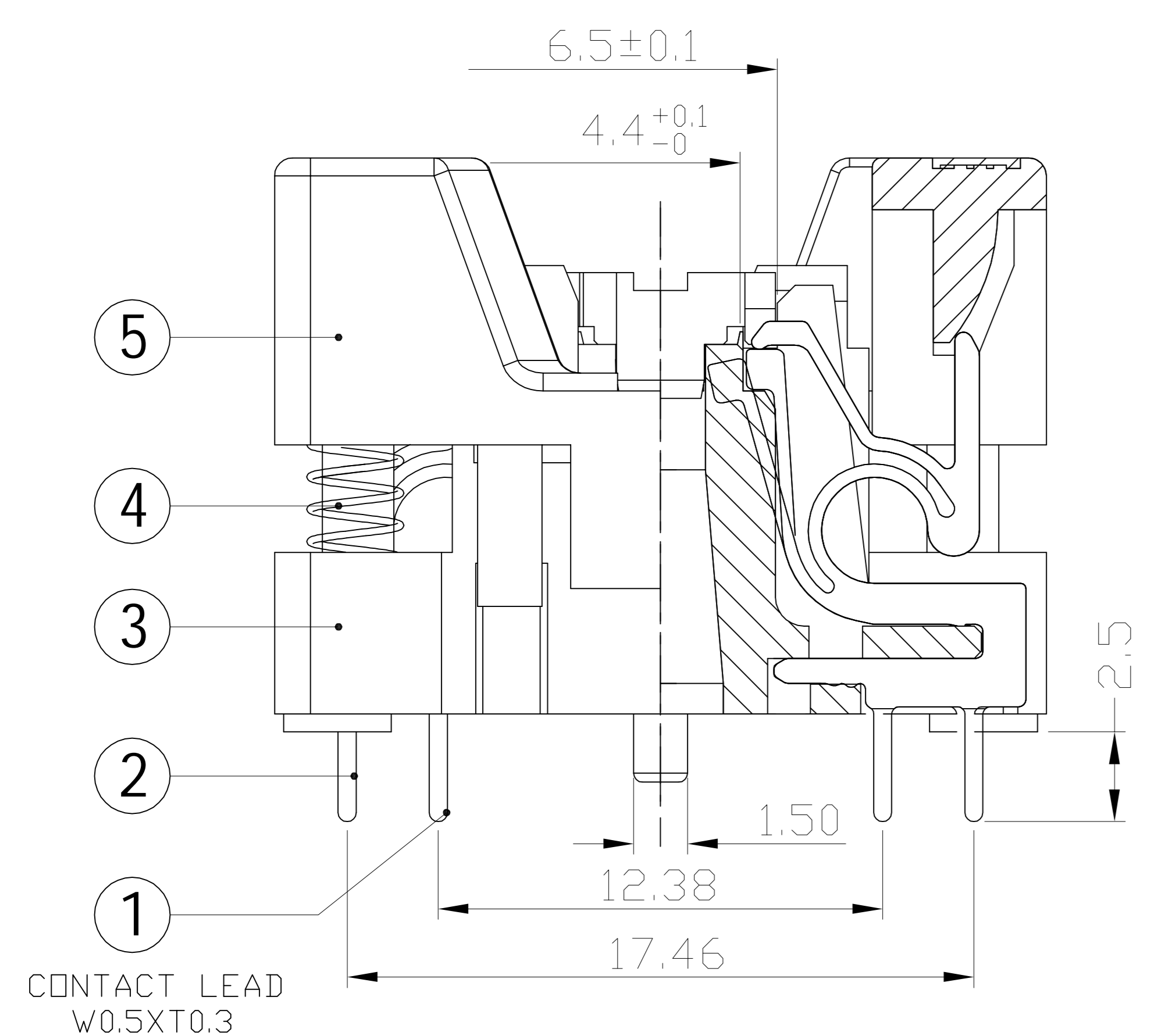
REVISION	DESCRIPTION	CHECK	APP	DATE	REV. NOTICE. NO
△ 1					
△ 2					
△ 3					



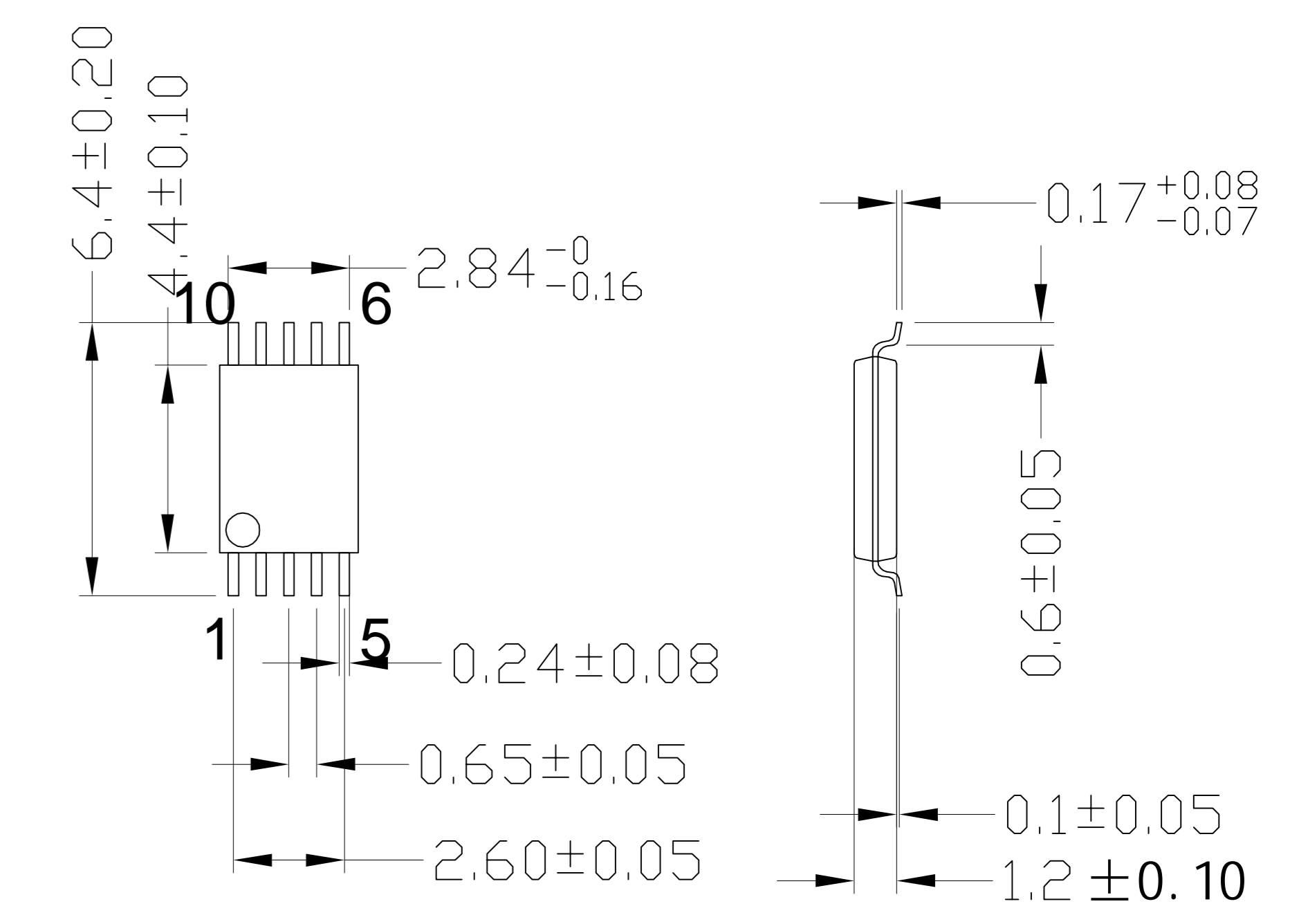
PCB PATTERN (TOP VIEW)



Insertion

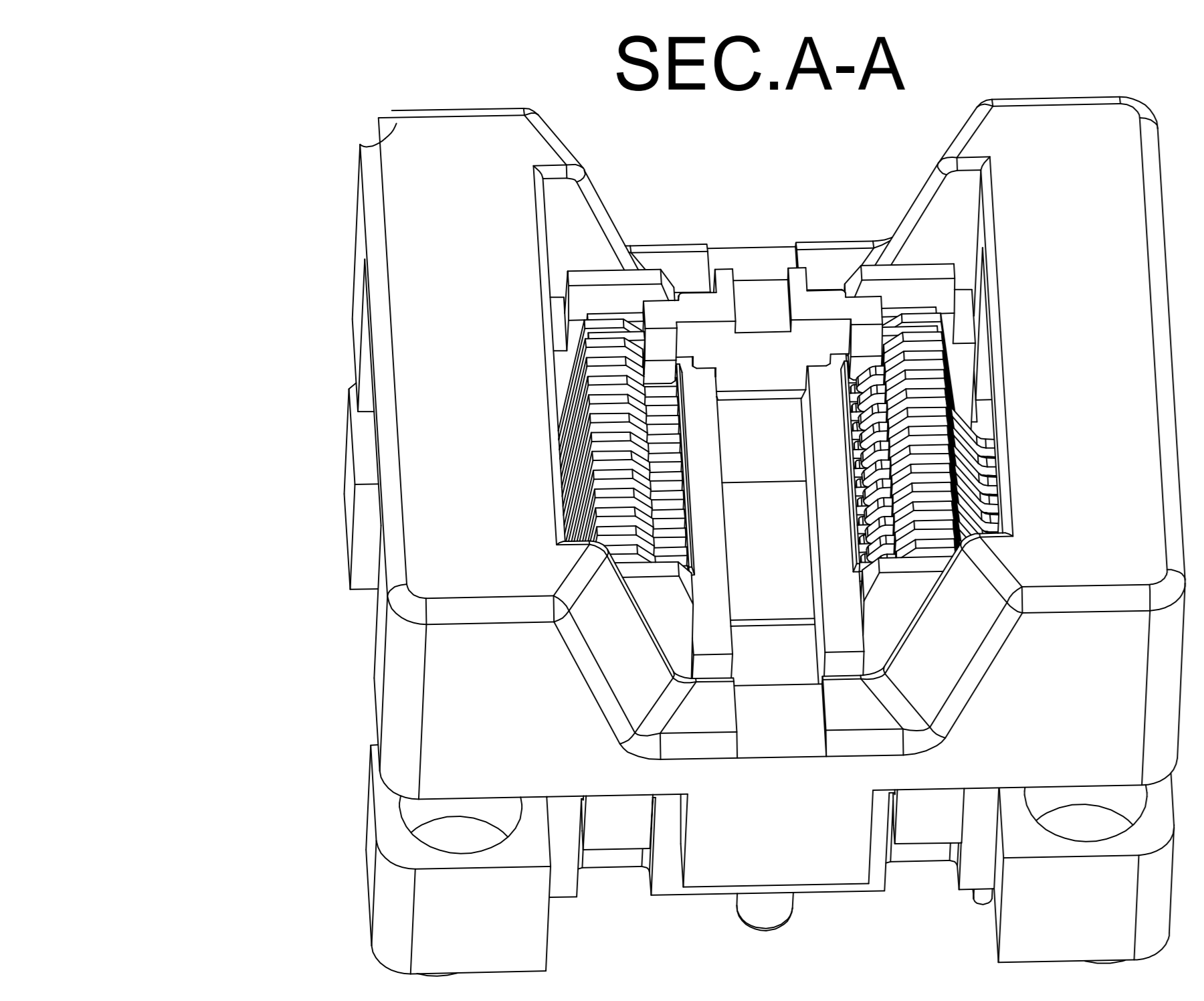


APPLICABLE IC



PERFORMANCE

1. Insulation Resistance: 1000mΩ Min.At DC 500V
2. Dielectric Withstanding Voltage For 1 Minute At AC 700V
3. Contact Resistance 30mΩ MAX. at 10mA and 20mV MAX.(Initial)
4. Current Rating: 1A max.
5. Operation Temperature -55°C ~+175°C
6. Contact Force 5-8g Per Pin (Normal)
7. Life Span 15,000 Times (Mechanical)
8. Operation Force 1.0 Kg MAX



No	Part Number	Name	Material	Q/ty	Note	TOLERANCE	PROJECTION	GENERAL TOLERANCES	±0.10	TITLE	SOP28-0.65 SOCKET
6	SOP-28-U01-003	ADAPTER	PEI/PES	1	BLACK			REV	A	CLASS	SOP10(28)-0.65-TP07NT
5	SOP-28-U01-002	COVER	PEI/PES	1	BLACK			SCALE:	1:1	DRW. NO	SOP-8/10/14/16/20/24/28-0.65-M02
4	30-B-4515X	SPRING	SUS	4	FOR COVER	X. ± 0.50	DIMENSION: mm	DATE:			
3	SOP-28-U01-001	BASE	PEI/PES	1	BLACK	X.X ± 0.25	APP:	DATE:			
2	SOP-28-MSBR-02	CONTACT	BeCu	5	Au PLATING	X.XX ± 0.10	CHECK:	DATE:			
1	SOP-28-MSBR-01	CONTACT	BeCu	5	Au PLATING	X.XXX ± 0.05	DEGK: ENG04	DATE:	20150727		

