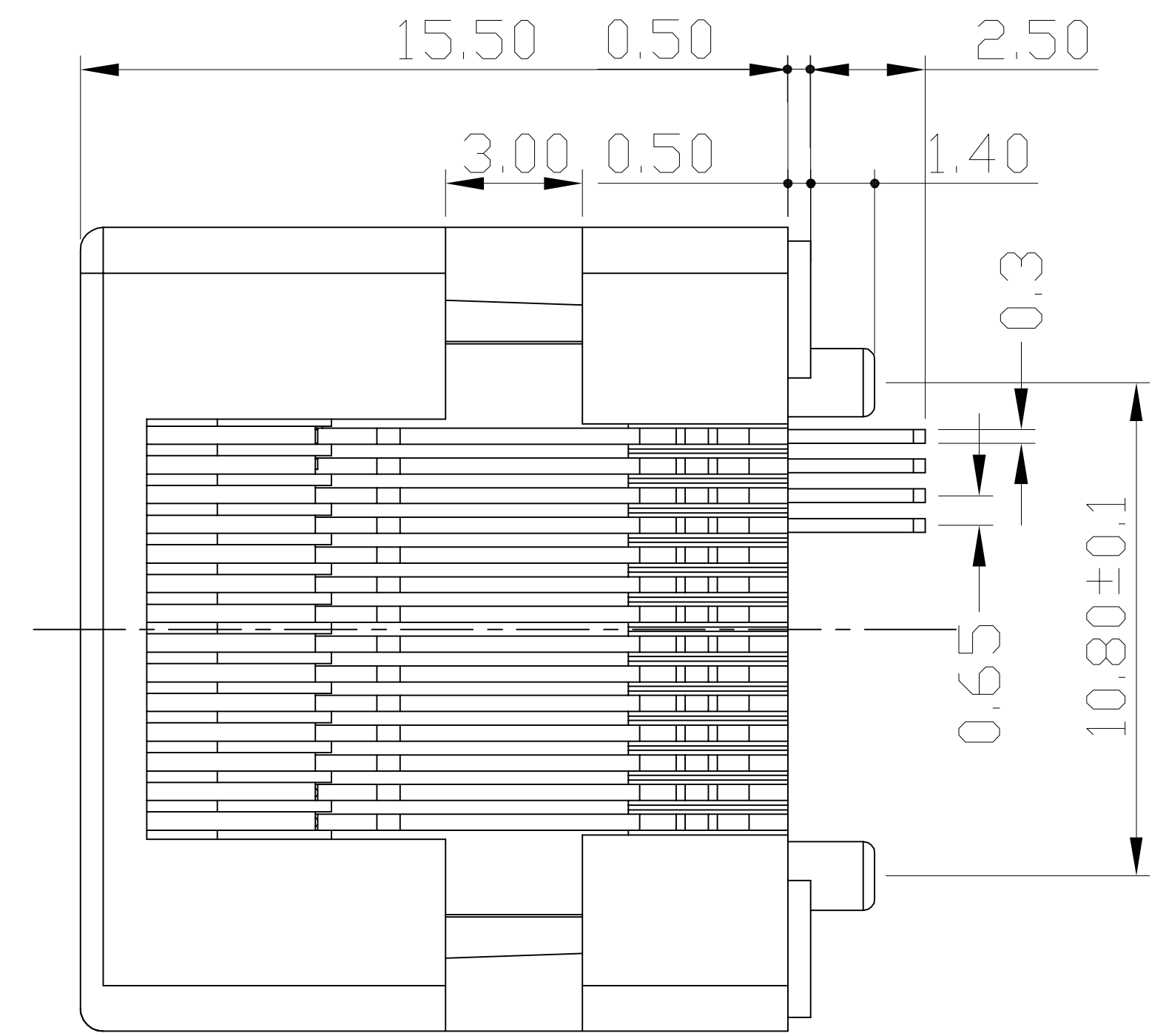
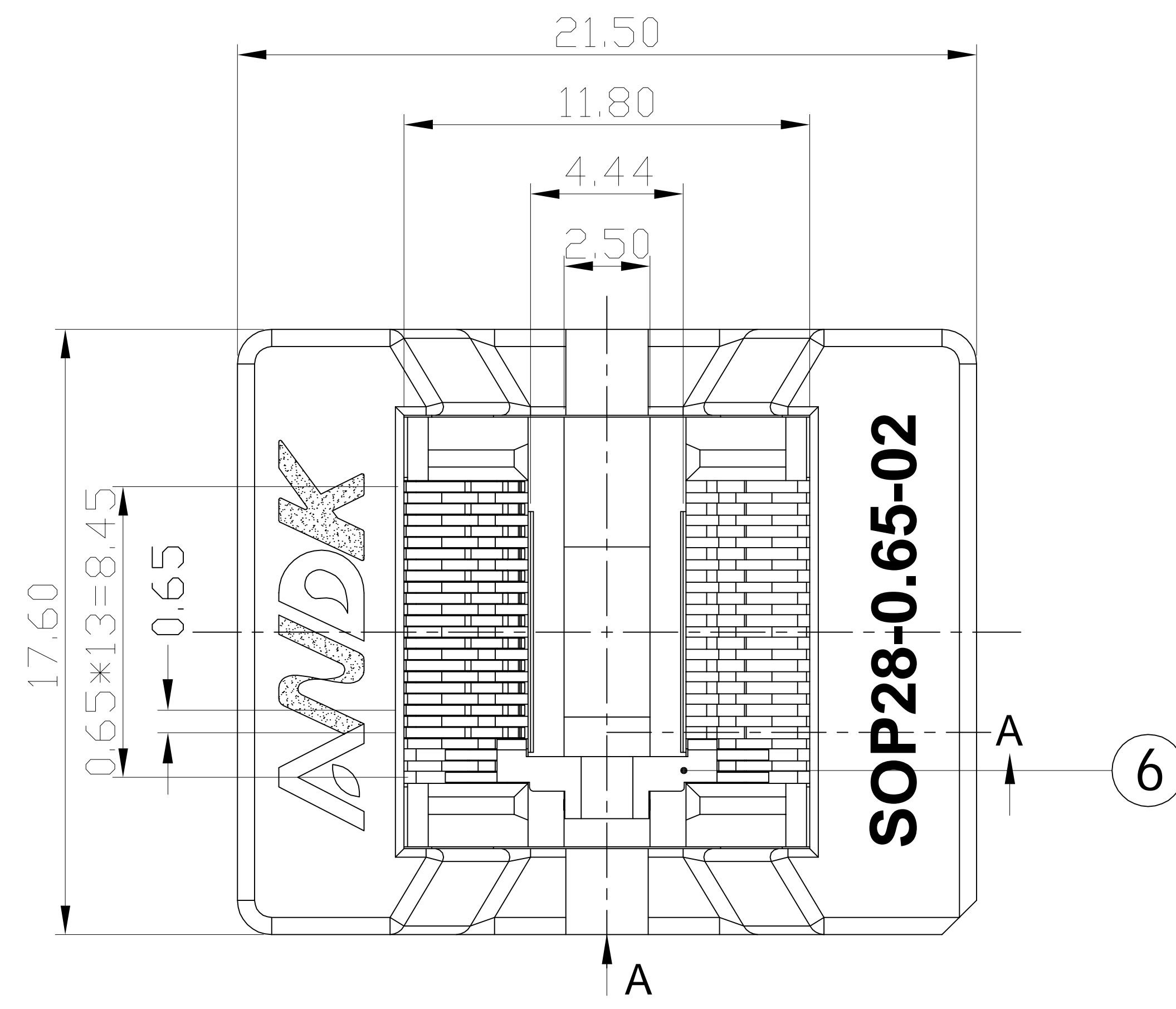
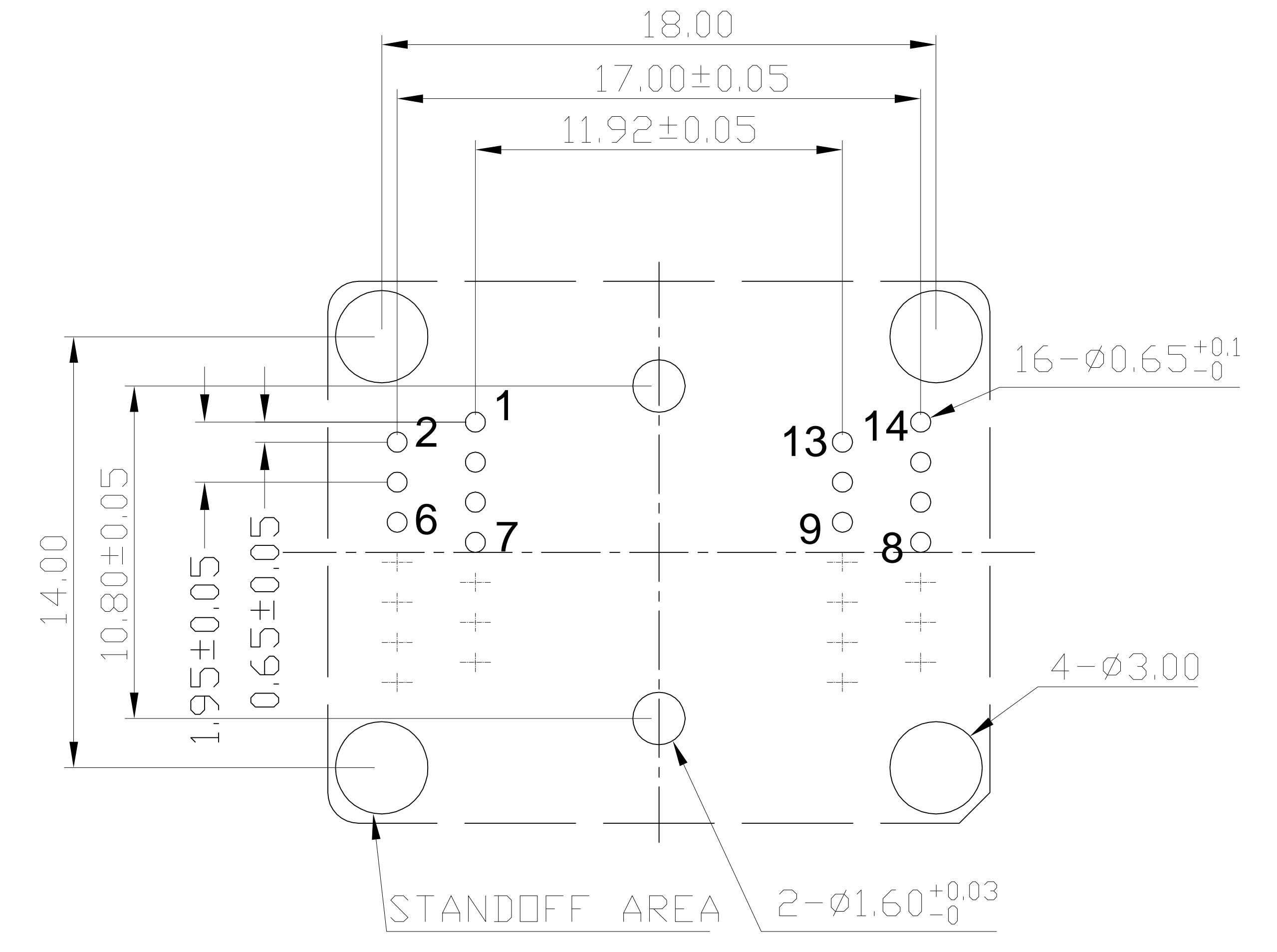


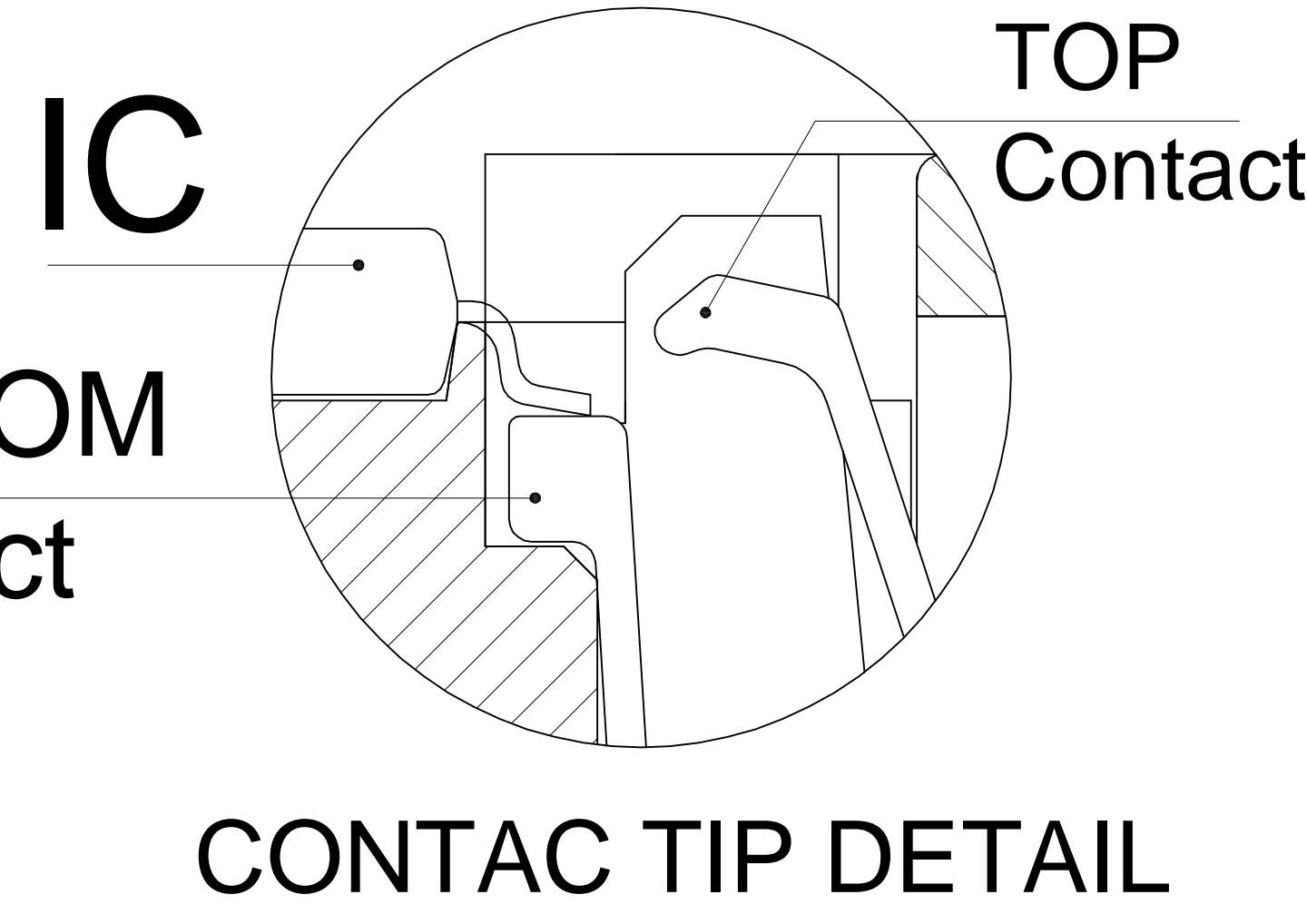
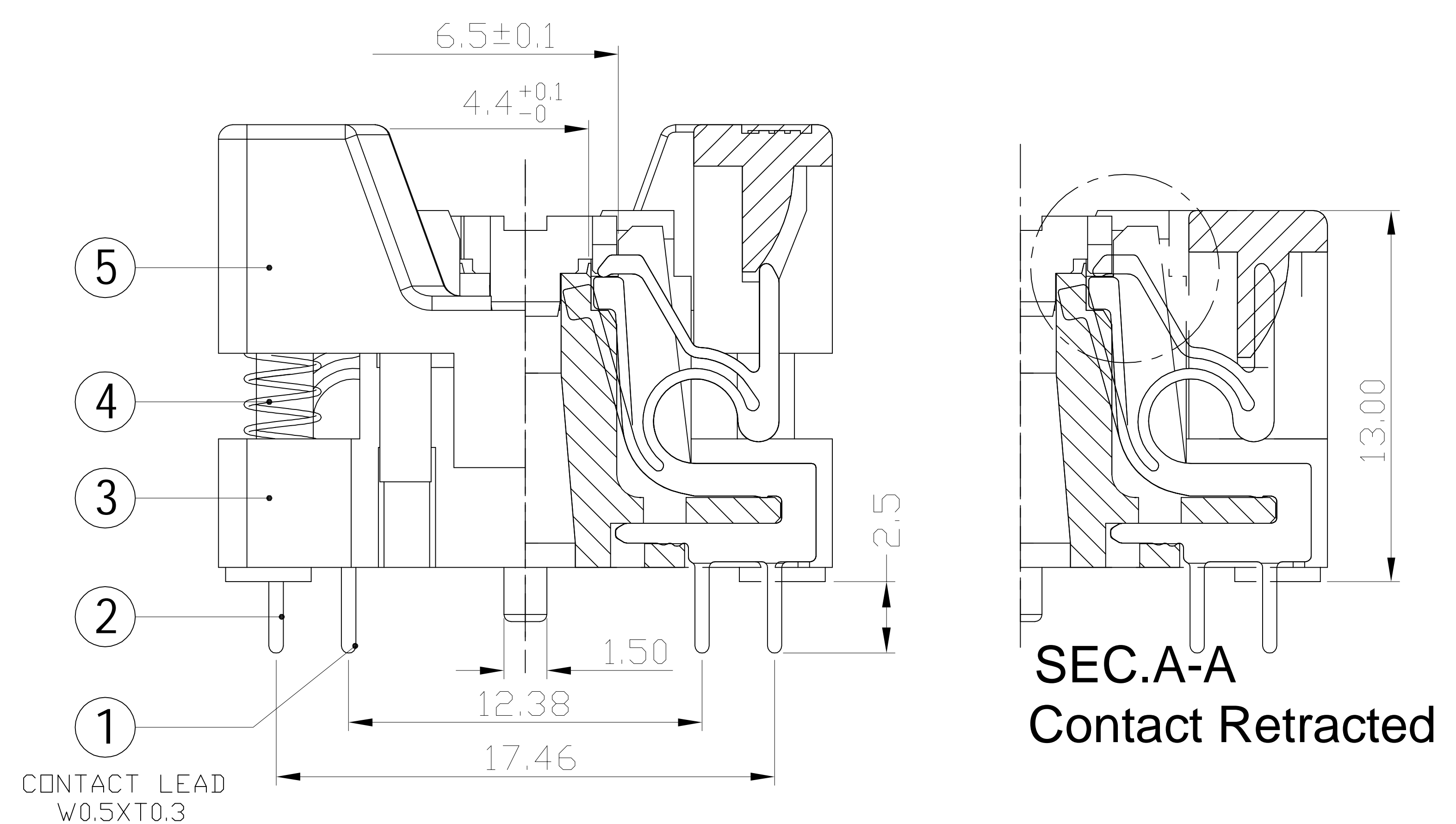
REVISION	DESCRIPTION	CHECK	APP	DATE	REV. NOTICE NO
△ 1					
△ 2					
△ 3					



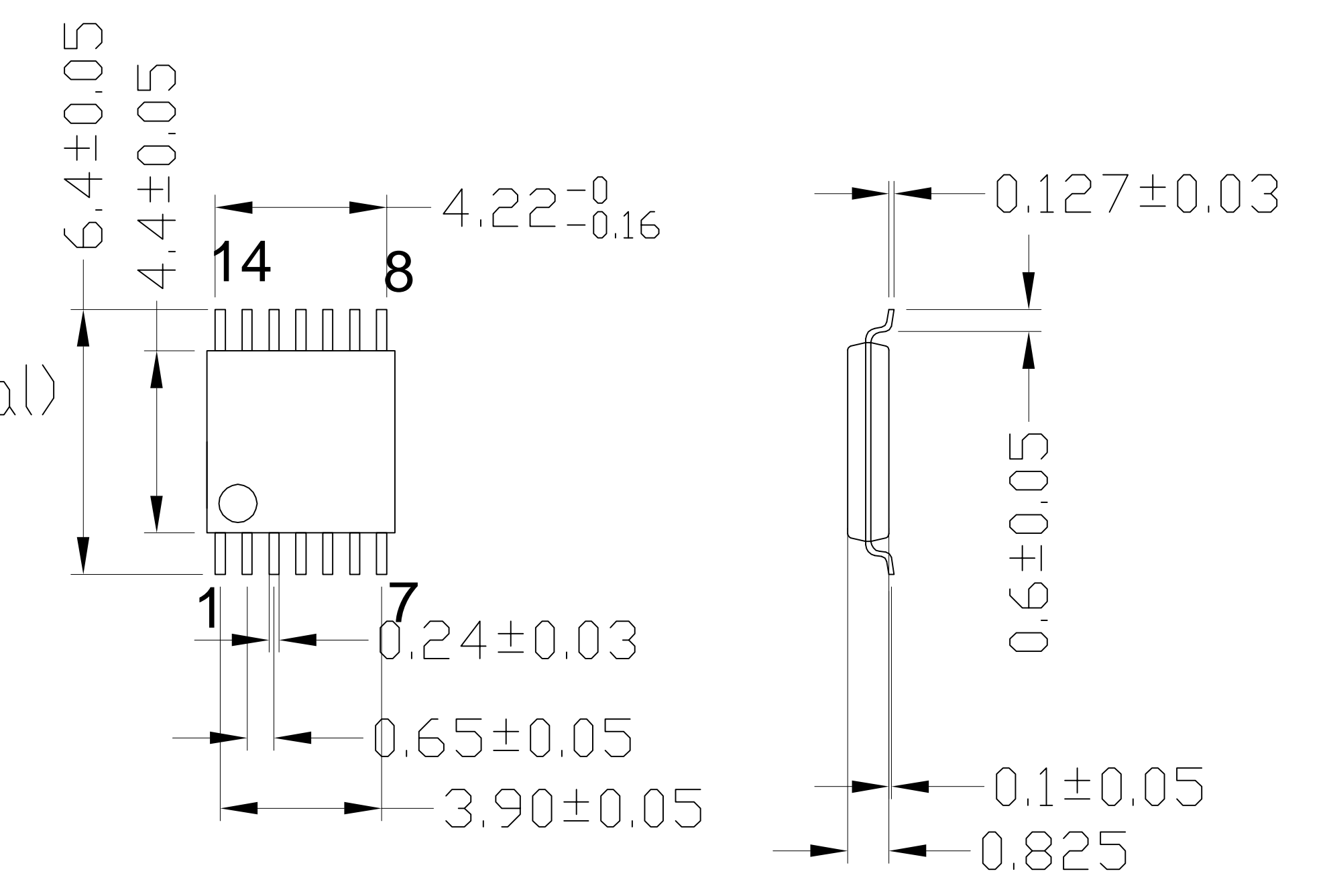
PCB PATTERN (TOP VIEW)



Insertion



APPLICABLE IC



PERFORMANCE

1. Insulation Resistance: 1000mΩ Min.At DC 500V
2. Dielectric Withstanding Voltage For 1 Minute At AC 700V
3. Contact Resistance 30mΩ MAX.at 10mA and 20mV MAX.(Initial)
4. Current Rating: 1A max.
5. Operation Temperature -55°C ~+175°C
6. Contact Force 5-8g Per Pin (Normal)
7. Life Span 15,000 Times (Mechanical)
8. Operation Force 1.0 Kg MAX

No	Part Number	Name	Material	Q/ty	Note	TOLERANCE	PROJECTION	GENERAL TOLERANCES	±0.10	TITLE	SOP28-0.65 SOCKET
6	SOP-28-U01-003	ADAPTER	PEI/PES	1	BLACK			R E V	A	CLASS	SOP14(28)-0.65-TP05NT
5	SOP-28-U01-002	COVER	PEI/PES	1	BLACK			SCALE:	1:1	DRW. NO	SOP-8/14/16/20/24/28-0.65-M02
4	30-B-4515X	SPRING	SUS	4	FOR COVER	X. ± 0.50	DIMENSION: mm	DATE:			
3	SOP-28-U01-001	BASE	PEI/PES	1	BLACK	X. X ± 0.25	APP:	DATE:			
2	SOP-28-MSBR-02	CONTACT	BeCu	7	Au PLATING	X. XX ± 0.10	CHECK:	DATE:			
1	SOP-28-MSBR-01	CONTACT	BeCu	7	Au PLATING	X. XXX ± 0.05	DEGK: ENG02	DATE:	20150727		

