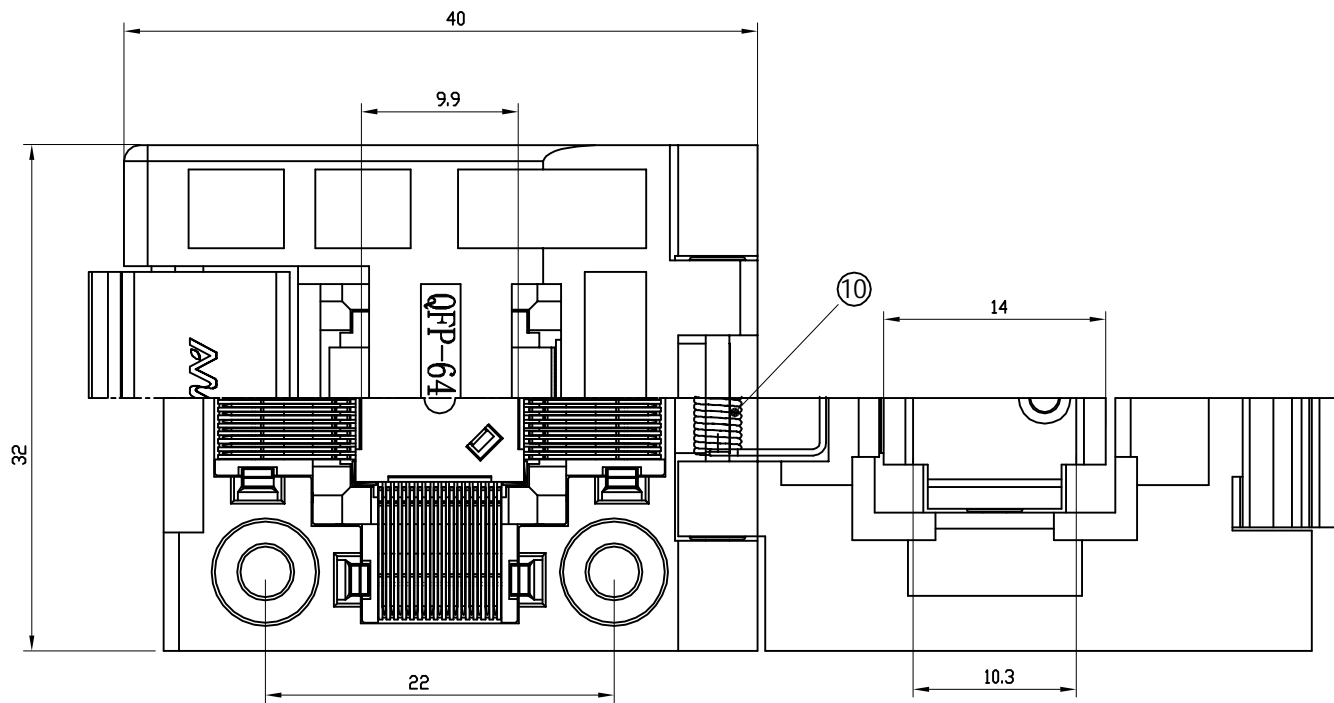
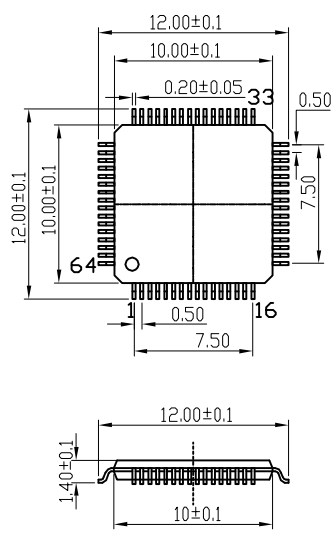


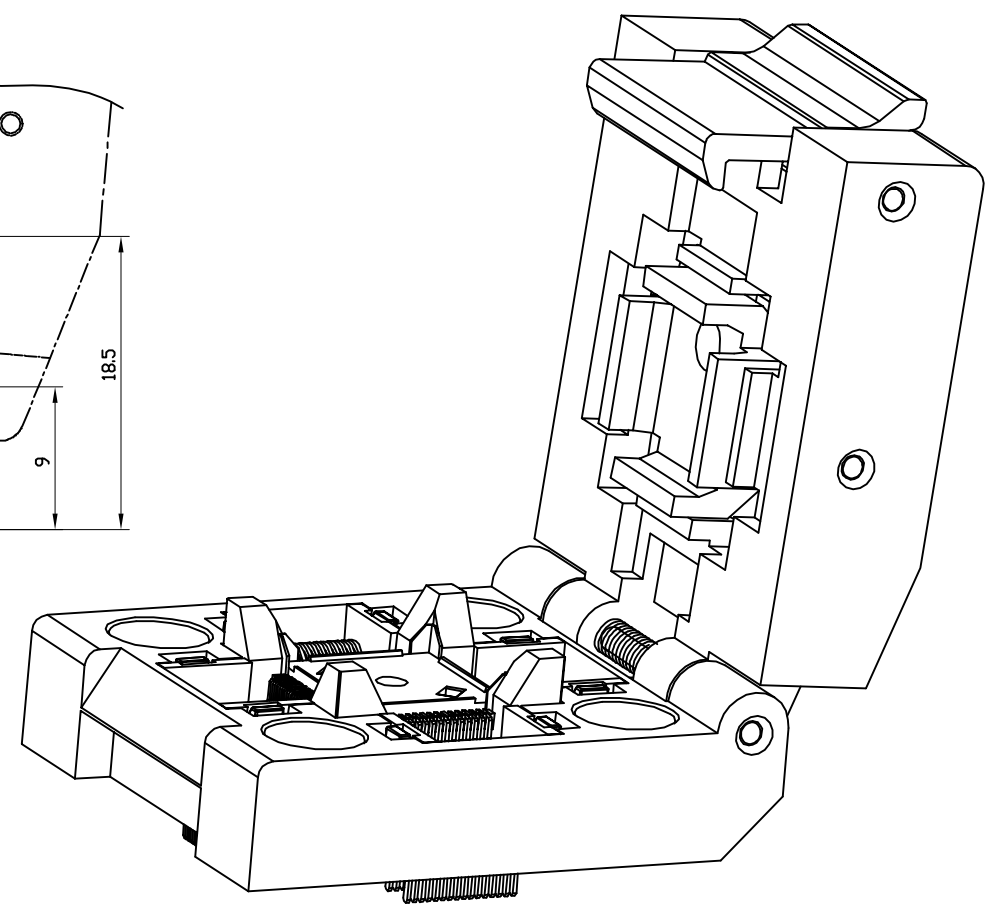
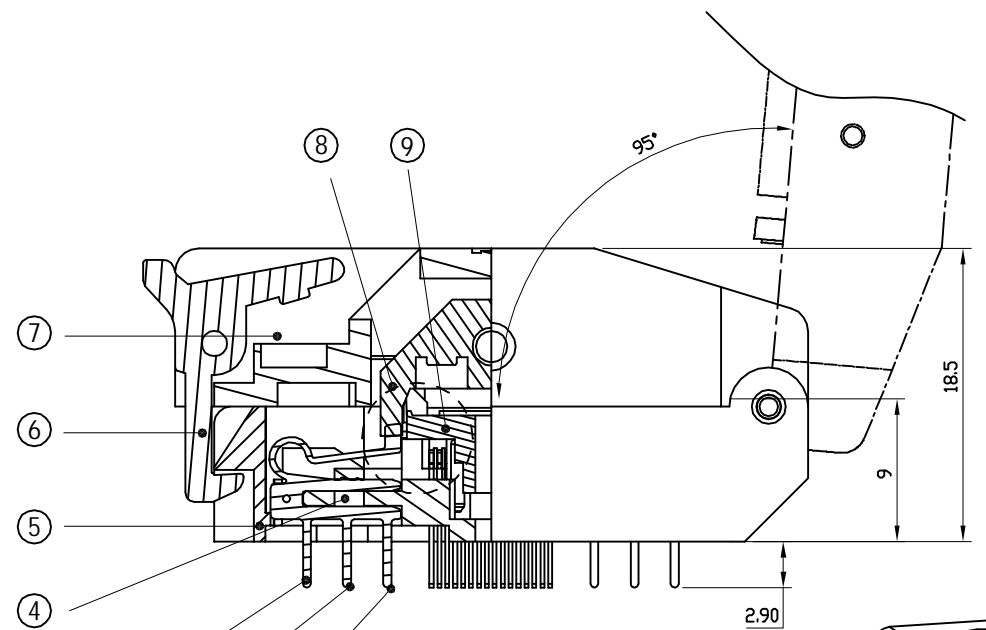
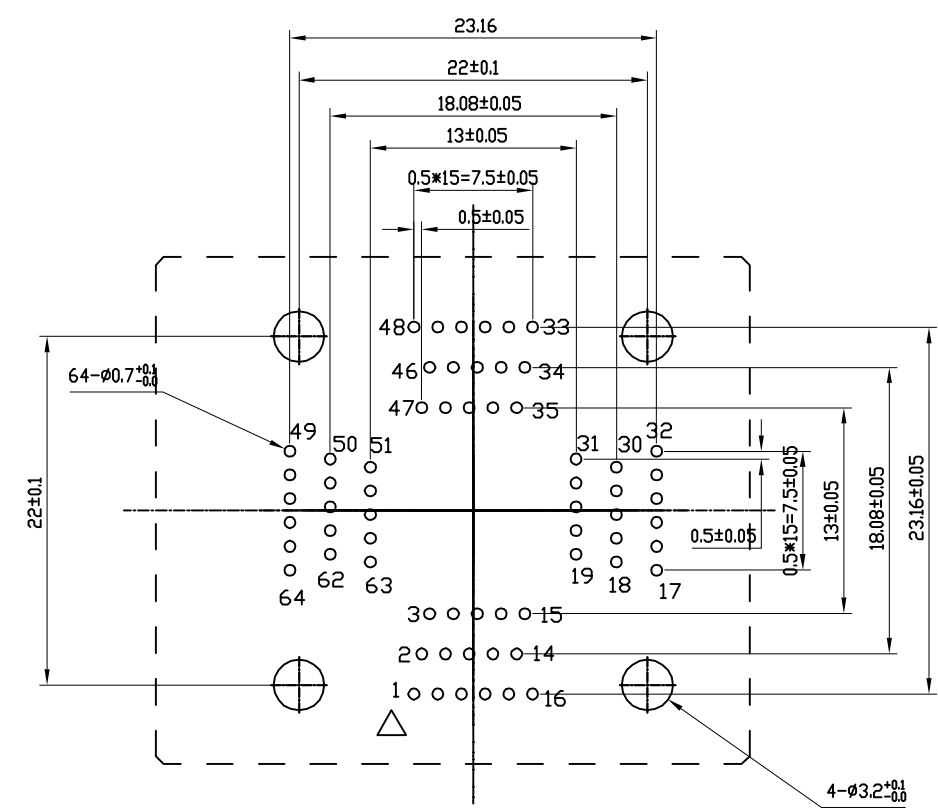
REVISION	DESCRIPTION	CHECK	APP	DATE	REV. NOTICE. NO
△1					
△2					
△3					



APPLICABLE IC

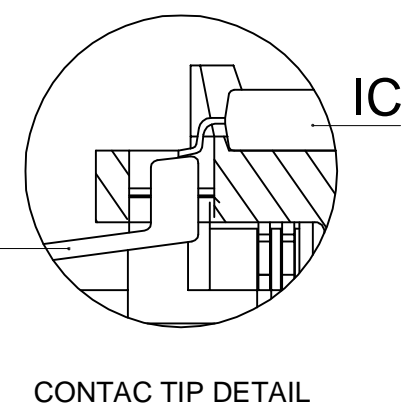


PCB PATTERN (TOP VIEW)



CONTACT LEAD
W0.45X0.25

Contact



PERFORMANCE

1. Insulation Resistance: 1000MΩ Min. At DC 500V
2. Dielectric Withstanding Voltage For 1 Minute At AC500V
3. Contact Resistance(Initial) 30mΩ MAX at 10mA
4. Rated Current: 1.0A.
5. Operation Temperature range -65°C ~+150°C
6. Insertion Min10000 cycle (Mechanical)
7. Material: Body:PAI,PES; Contact:BeCu,Au plating(Ni-base)

No	Part Number	Name	Material	Q/ty	Note
10	30-B-4515X	SPRING	SUS	1	FOR COVER
9	QFP64-0.5-FFC	FLOATING CARRIER	PEI/PES	1	BLACK
8	QFP64-0.5-FSB	SWINGING BLOCK	PEI/PES	1	BLACK
7	QFP64-0.5-FCR	COVER	PEI/PES	1	BLACK
6	QFP64-0.5-FLH	LATCH	PEI/PES	1	BLACK
5	QFP64-0.5-FBY	BODY	PEI/PES	1	BLACK
4	QFP64-0.5-FCE	CORE	PEI/PES	1	BLACK
3	QFP64-0.5-FCTC	CONTACT	BeCu	24	FOR COVER
2	QFP64-0.5-FCTB	CONTACT	BeCu	20	BLACK
1	QFP64-0.5-FCTA	CONTACT	BeCu	20	AU PLATING

TOLERANCE	PROJECTION	GENERAL TOLERANCES	±0.10	TITLE	QFP64-0.5 SOCKET
X. ±0.50	DIMENSION: mm	R E V	A	CLASS	QFP64-0.5-CP01NT
X. X ±0.25	APP:	SCALE: 1:1	DRW. NO	03	
X. XX ±0.10	CHECK:	DATE:			
X. XXX ±0.05	DEGK: ENG03	DATE: 20150606			

