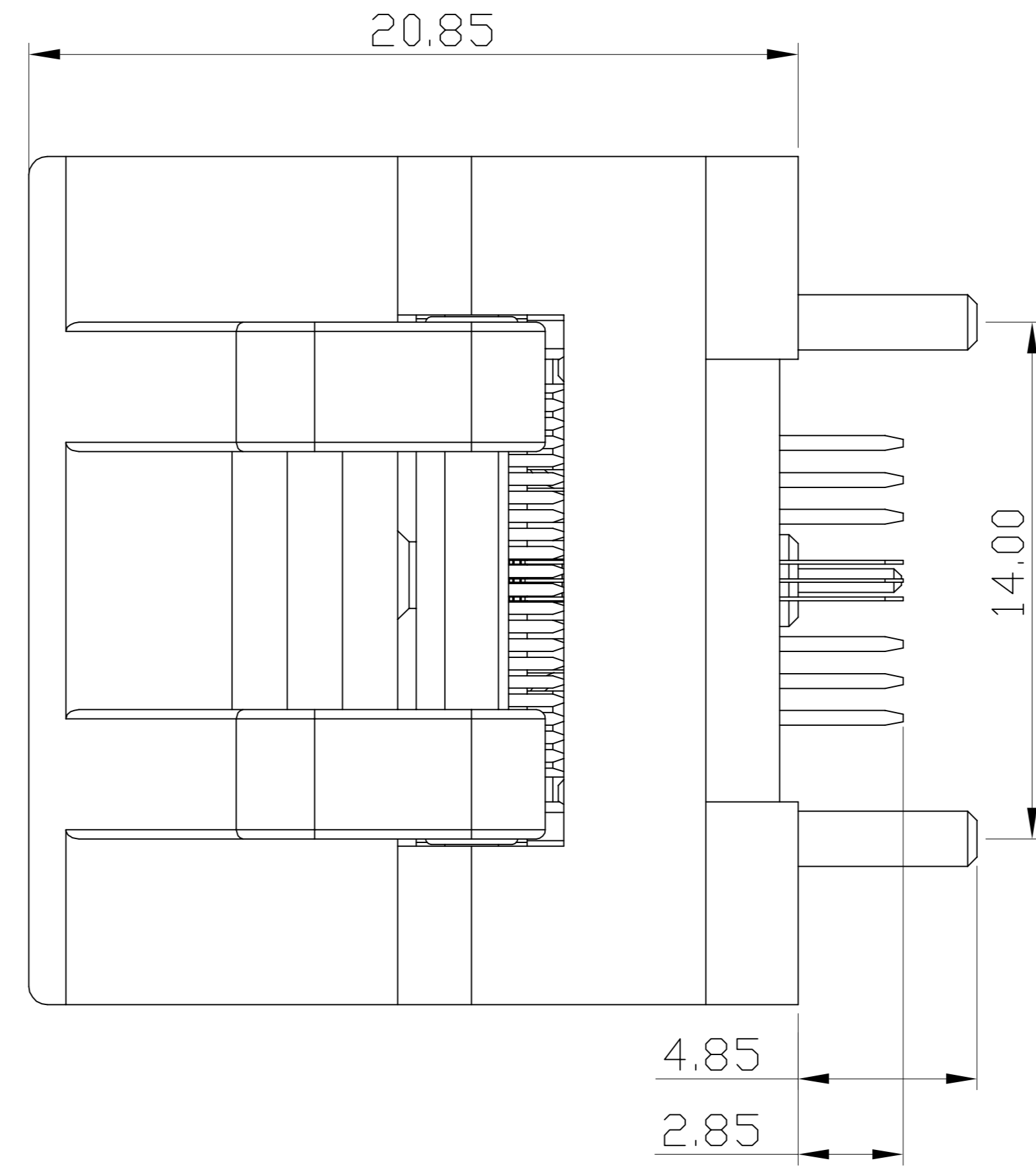
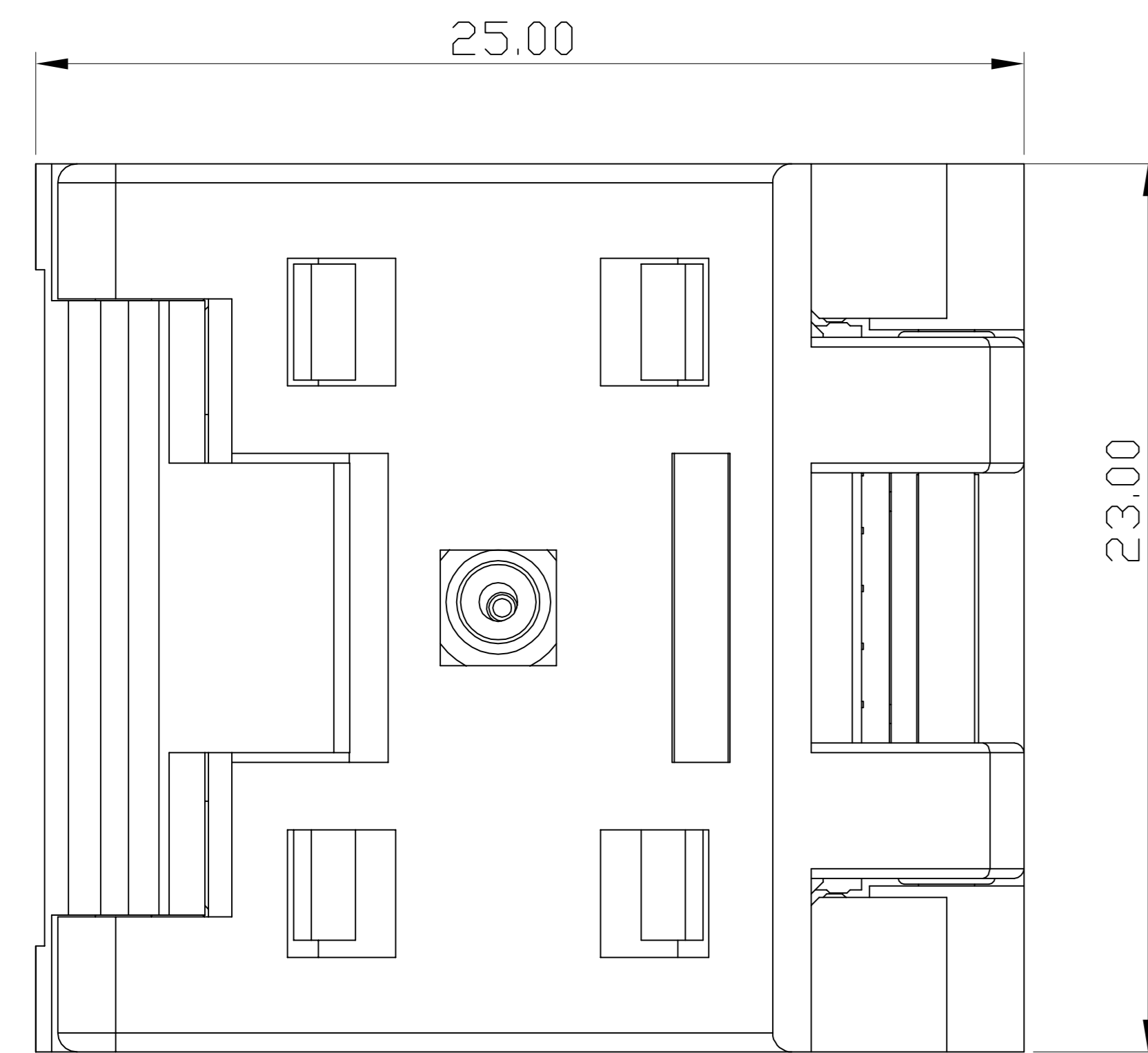
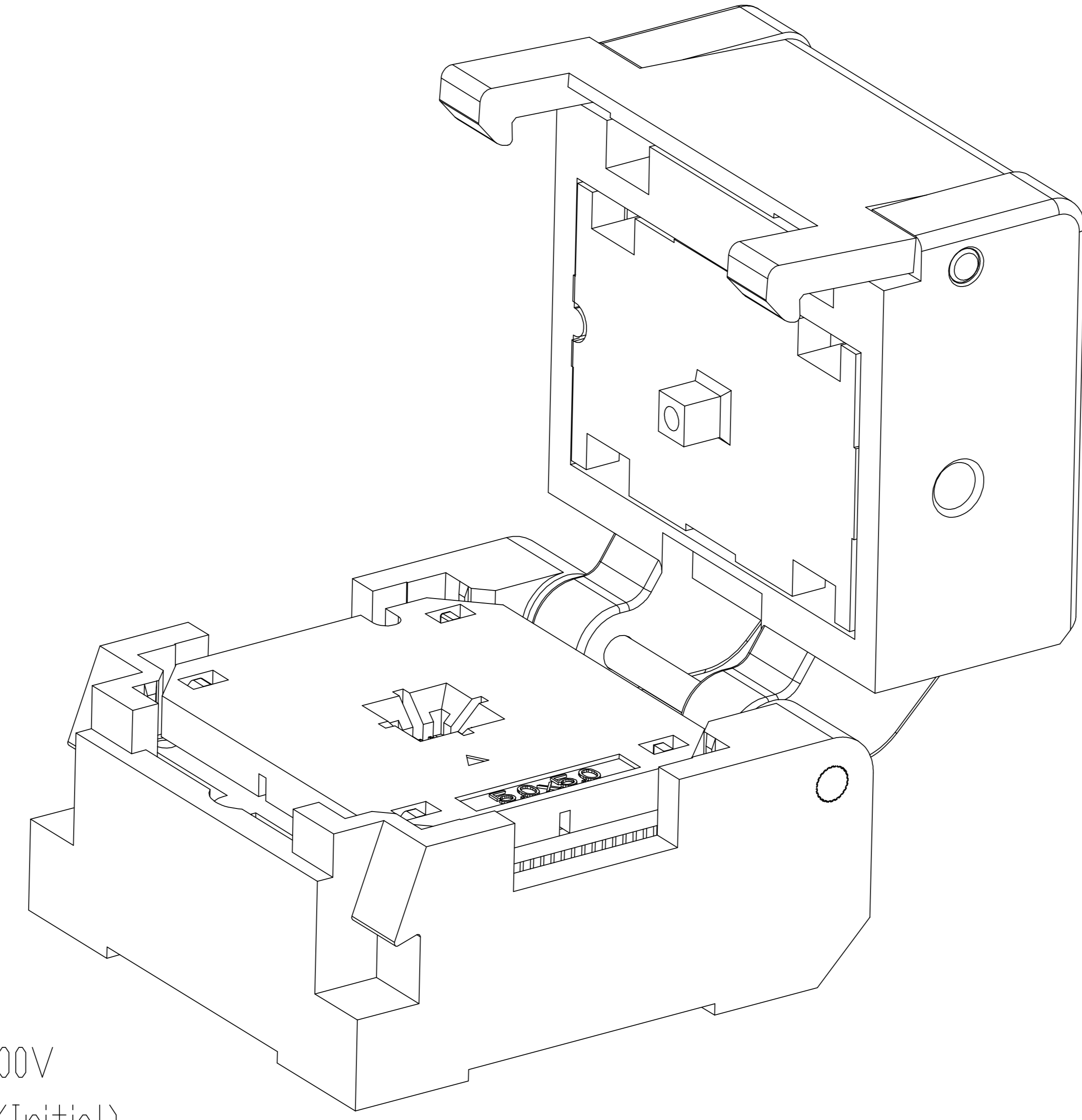
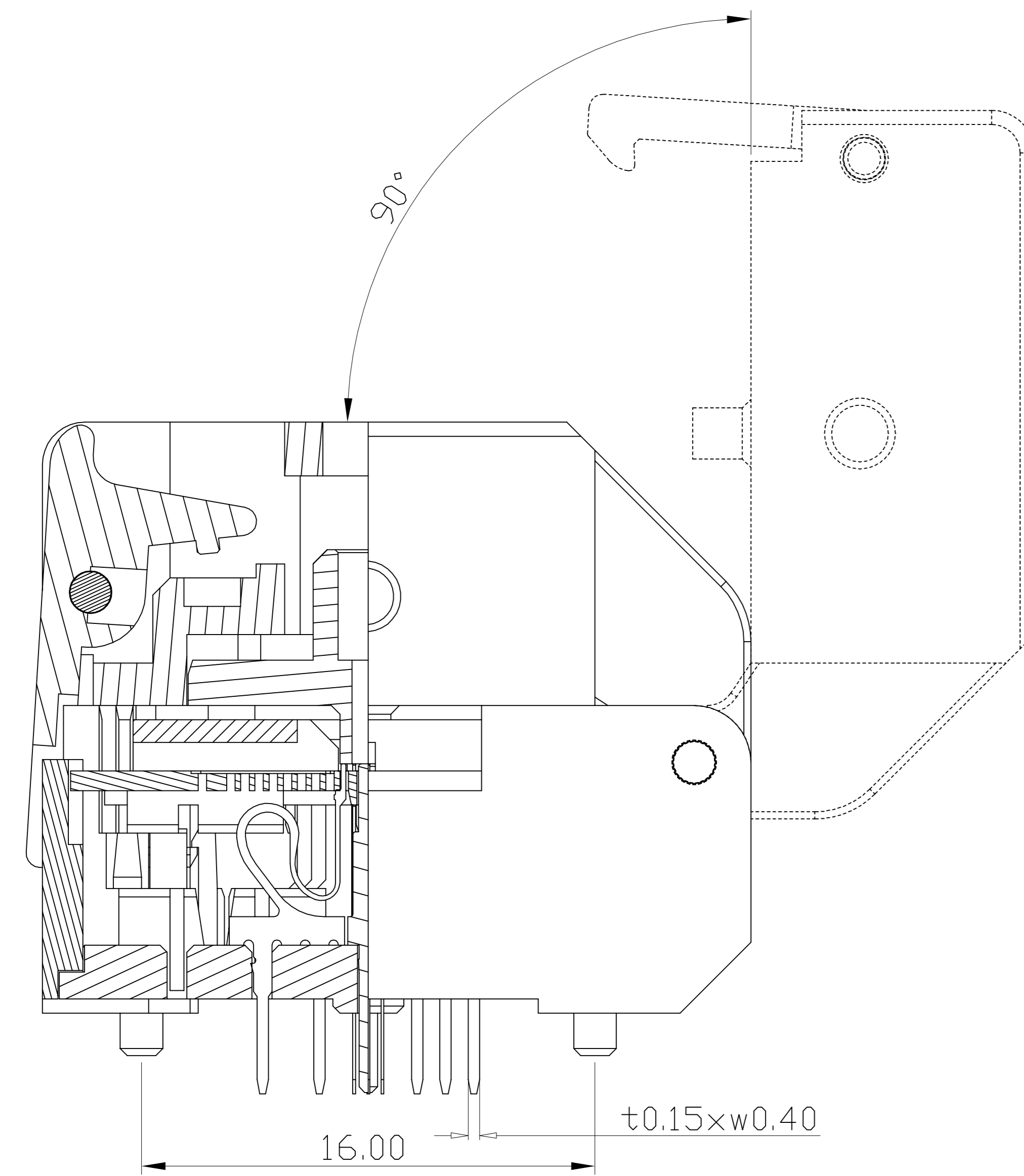
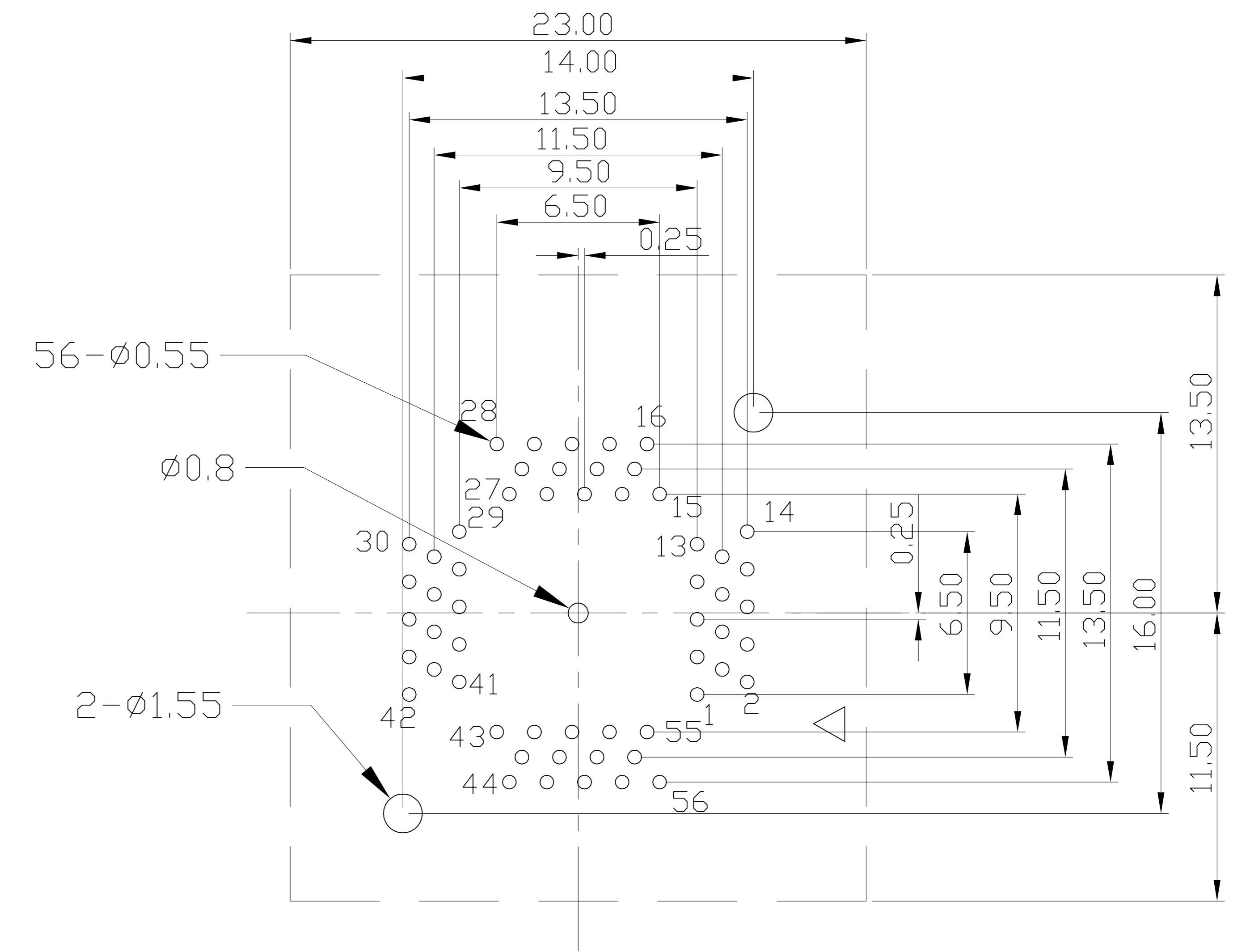


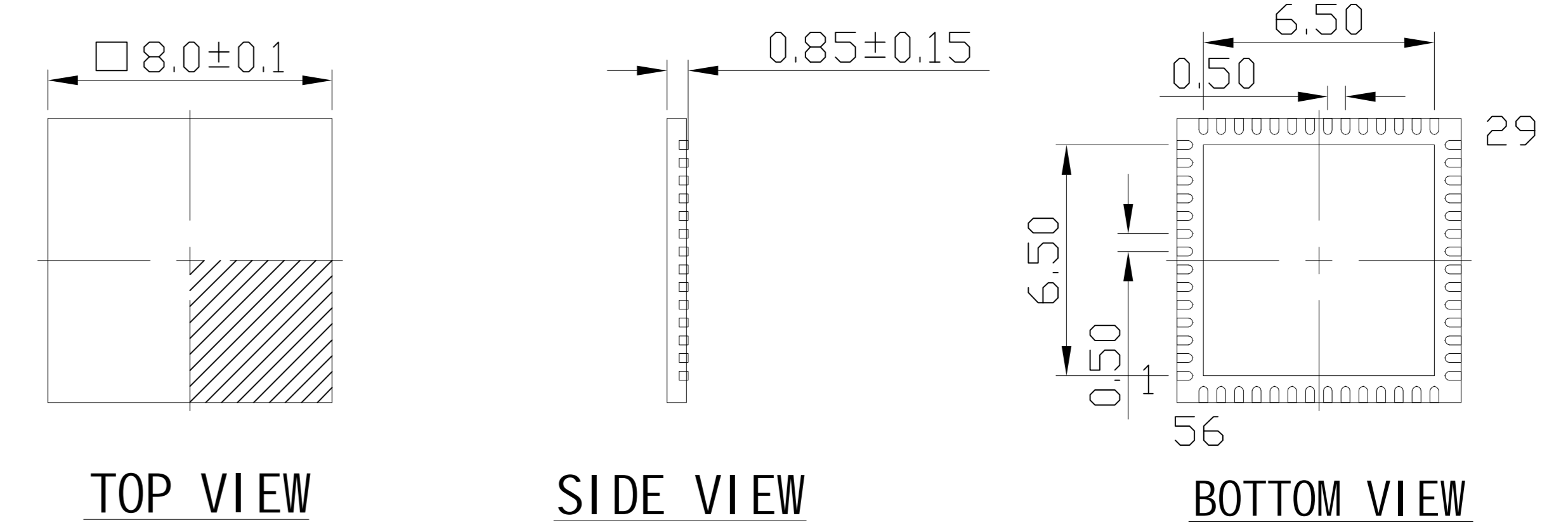
REVISION	DESCRIPTION	CHECK	APP	DATE	REV. NOTICE. NO
△ 1					
△ 2					
△ 3					



PCB Pattern(TOP View)



Applicable IC



PERFORMANCE

- 1、Insulation Resistance: 1000MΩ Min.At DC 500V
- 2、Dielectric Withstanding Voltage For 1 Minute At AC 700V
- 3、Contact Resistance 30mΩ MAX. at 10mA and 20mV MAX.(Initial)
- 4、Current Rating: 1A max.
- 5、Operation Temperature -40°C ~+155°C
- 6、Life Span 15,000 Times (Mechanical)
- 7、Operation Force 2.0 Kg MAX

TOLERANCE	PROJECTION	GENERAL TOLERANCES	±0.10	TITLE	QFN56-0.5 SOCKET
R E V <td>A <td>SCALE: 1:1 <td>CLASS</td> <td>QFN56-0.5-CP01GT</td> <td></td> </td></td>	A <td>SCALE: 1:1 <td>CLASS</td> <td>QFN56-0.5-CP01GT</td> <td></td> </td>	SCALE: 1:1 <td>CLASS</td> <td>QFN56-0.5-CP01GT</td> <td></td>	CLASS	QFN56-0.5-CP01GT	
X. ± 0.50	DIMENSION: mm	DATE:	DRW. NO	6U-PWQFN-0.5-56-8X8-01	
X. X ± 0.25	APP:	DATE:			
X. XX ± 0.10	CHECK:	DATE:			
X. XXX ± 0.05	DEGK: ENG03	DATE: 20150606			