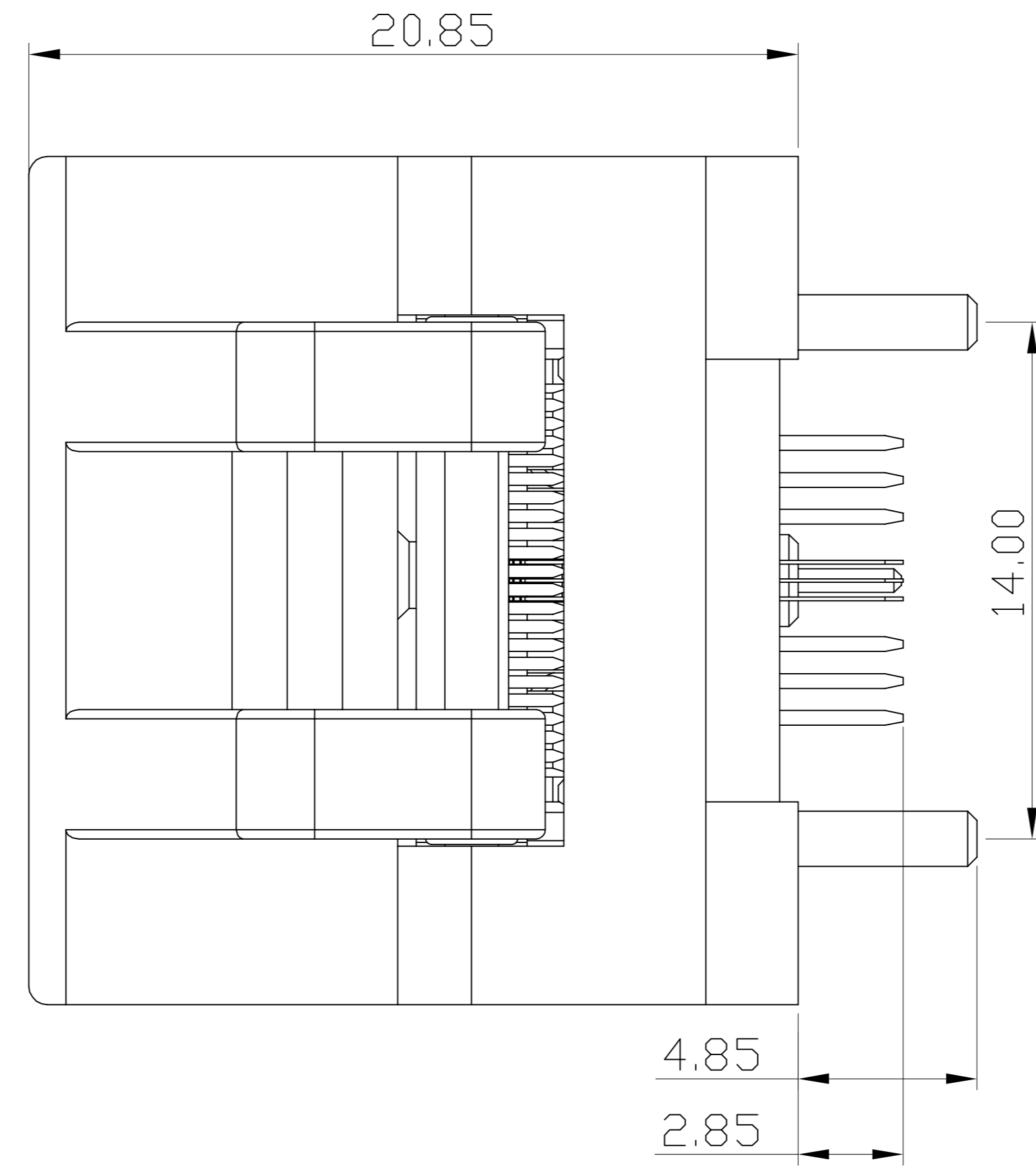
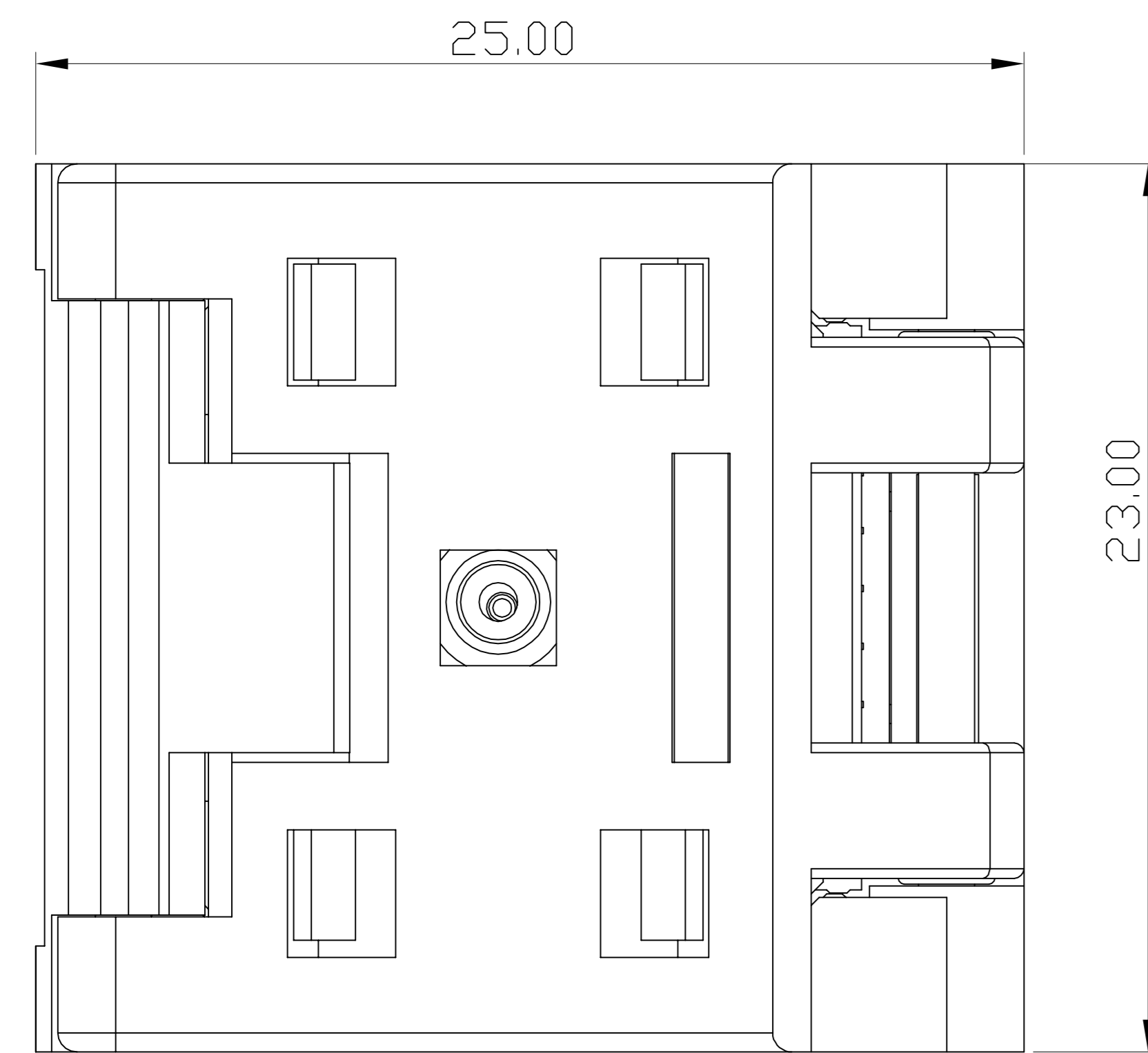
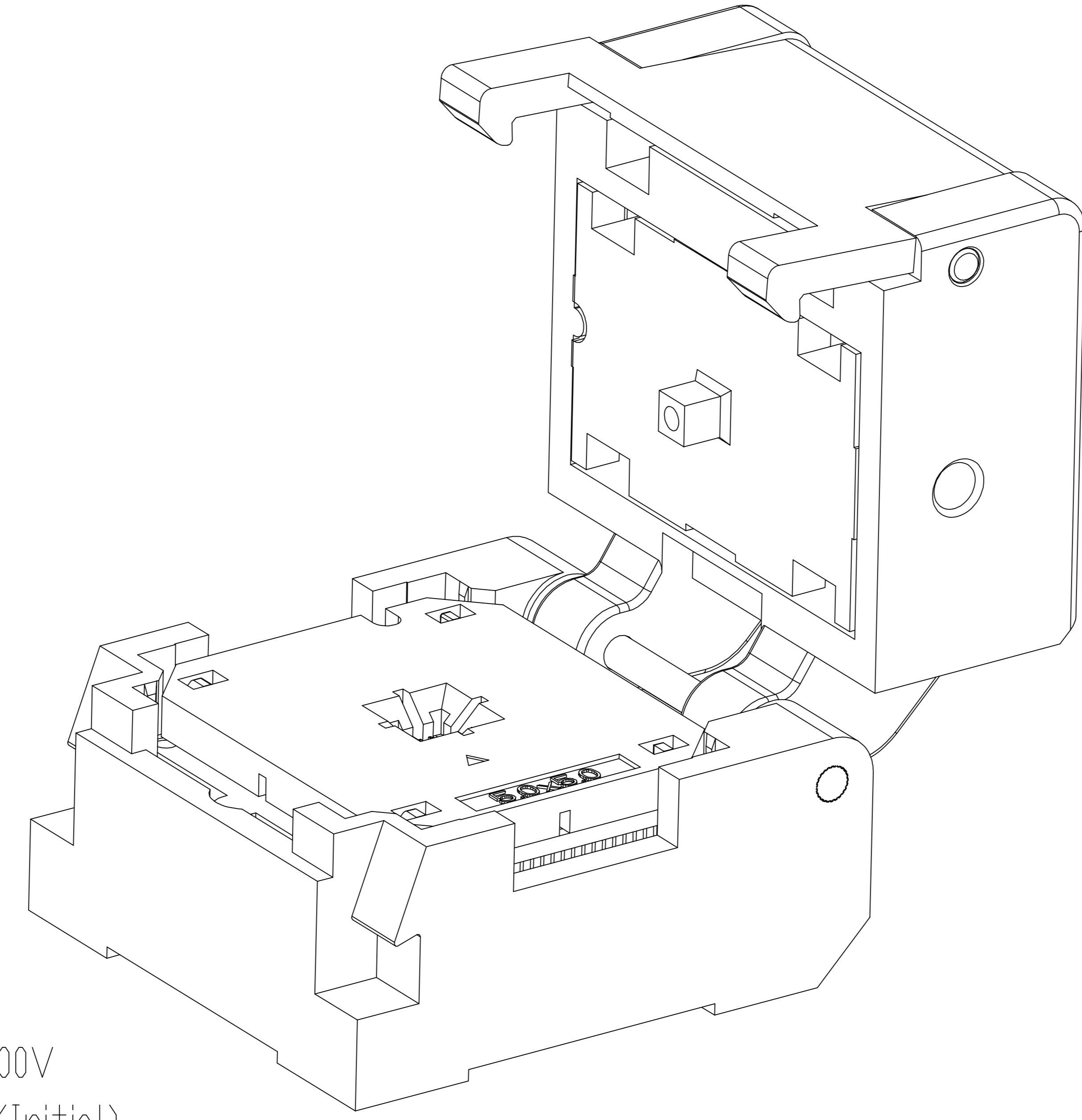
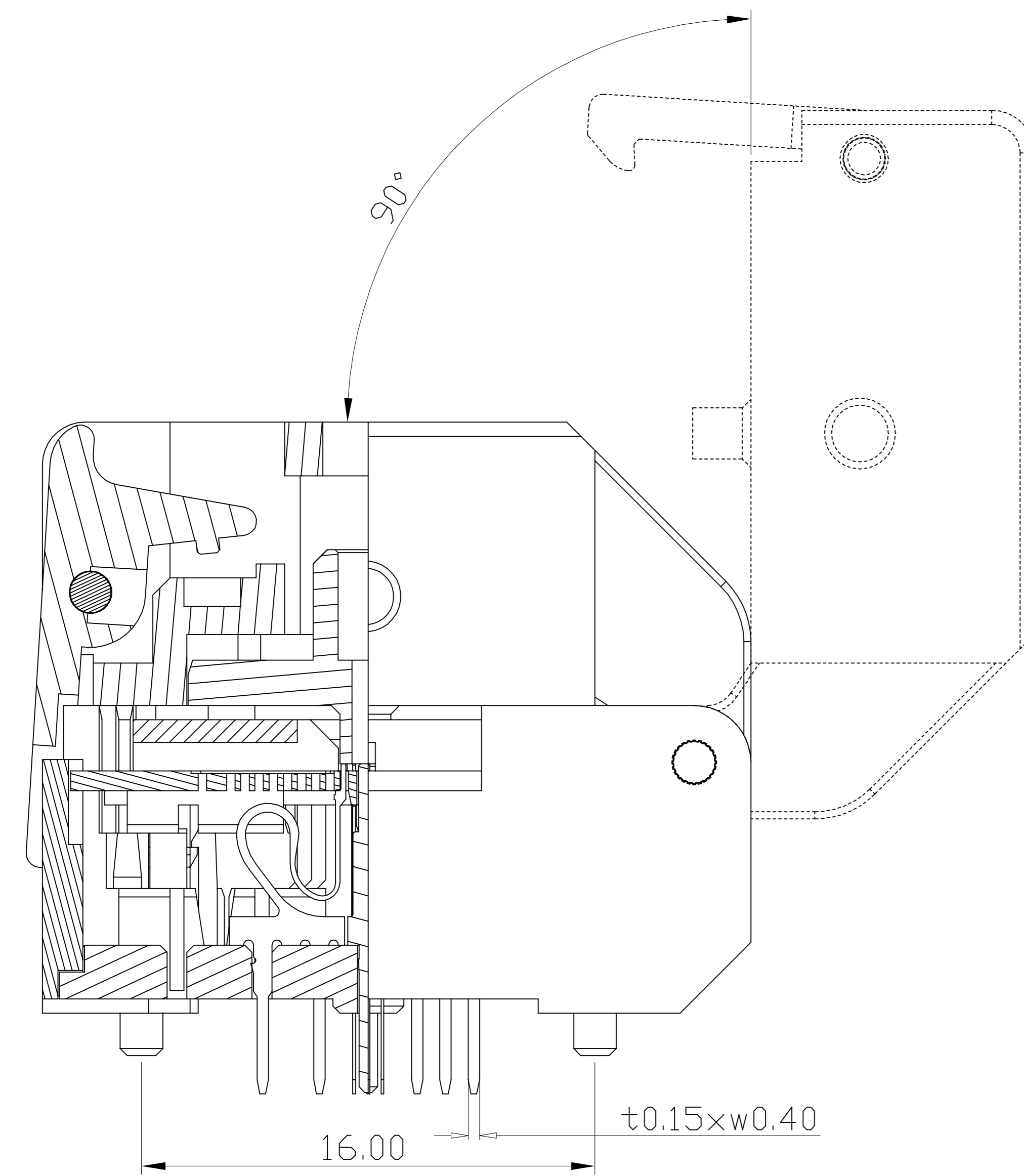
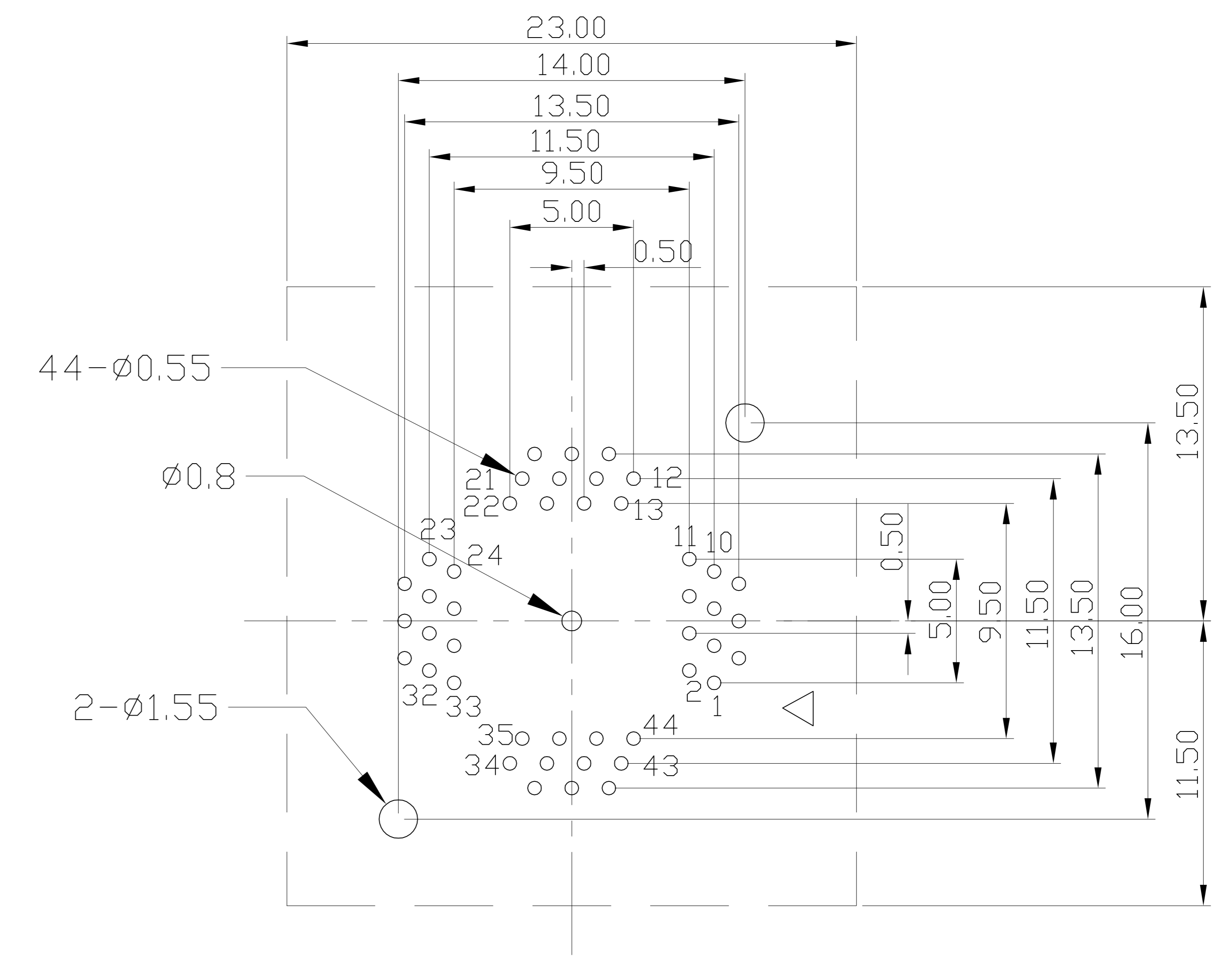


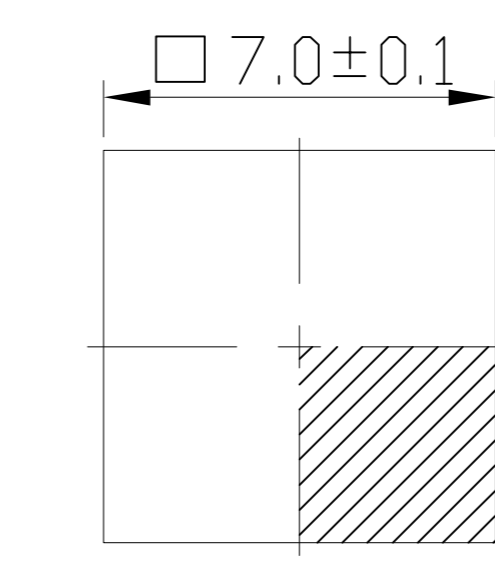
REVISION	DESCRIPTION	CHECK	APP	DATE	REV. NOTICE. NO
△1					
△2					
△3					



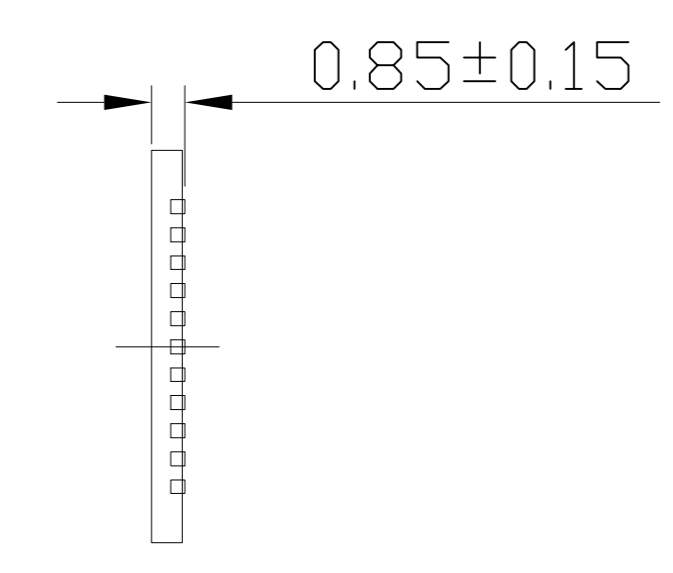
PCB Pattern(TOP View)



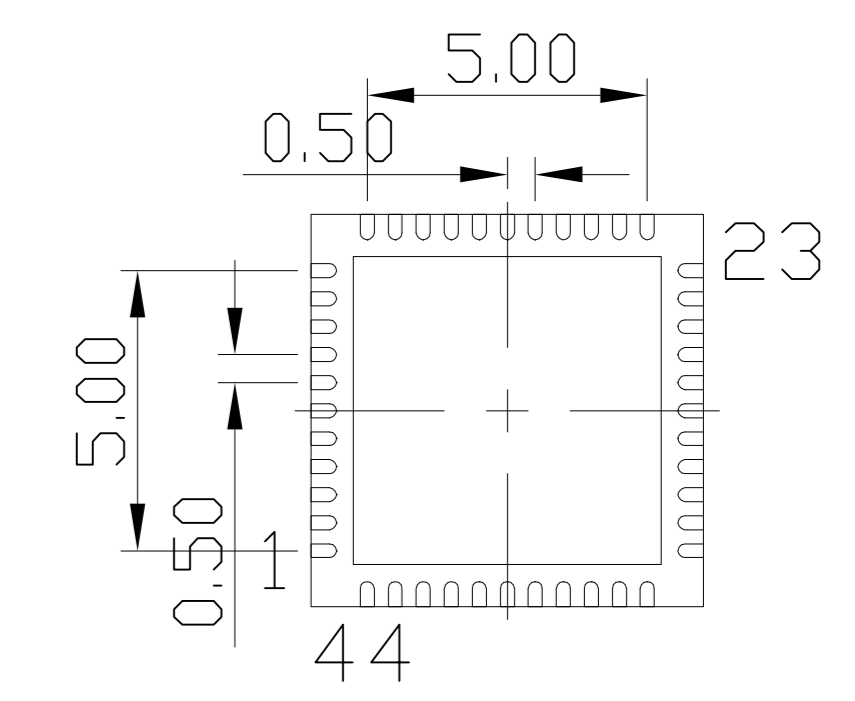
Applicable IC



TOP VIEW



SIDE VIEW



BOTTOM VIEW

PERFORMANCE

1. Insulation Resistance: 1000MΩ Min.At DC 500V
2. Dielectric Withstanding Voltage For 1 Minute At AC 700V
3. Contact Resistance 30mΩ MAX. at 10mA and 20mV MAX.(Initial)
4. Current Rating: 1A max.
5. Operation Temperature -40°C ~+155°C
6. Life Span 15,000 Times (Mechanical)
7. Operation Force 2.0 Kg MAX

TOLERANCE	PROJECTION	GENERAL TOLERANCES	±0.10	TITLE	QFN44-0.5 SOCKET
R E V <td></td> <td></td> <td>A <td>CLASS</td> <td>QFN44-0.5-CP01GT</td> </td>			A <td>CLASS</td> <td>QFN44-0.5-CP01GT</td>	CLASS	QFN44-0.5-CP01GT
X. ±0.50	DIMENSION:	mm	SCALE: 1:1	DRW. NO	6U-PWQFN-0.5-44-7X7-01
X. X ±0.25	APP:		DATE:		
X. XX ±0.10	CHECK:		DATE:		
X. XXX ±0.05	DEGK: ENG03		DATE: 20150606		