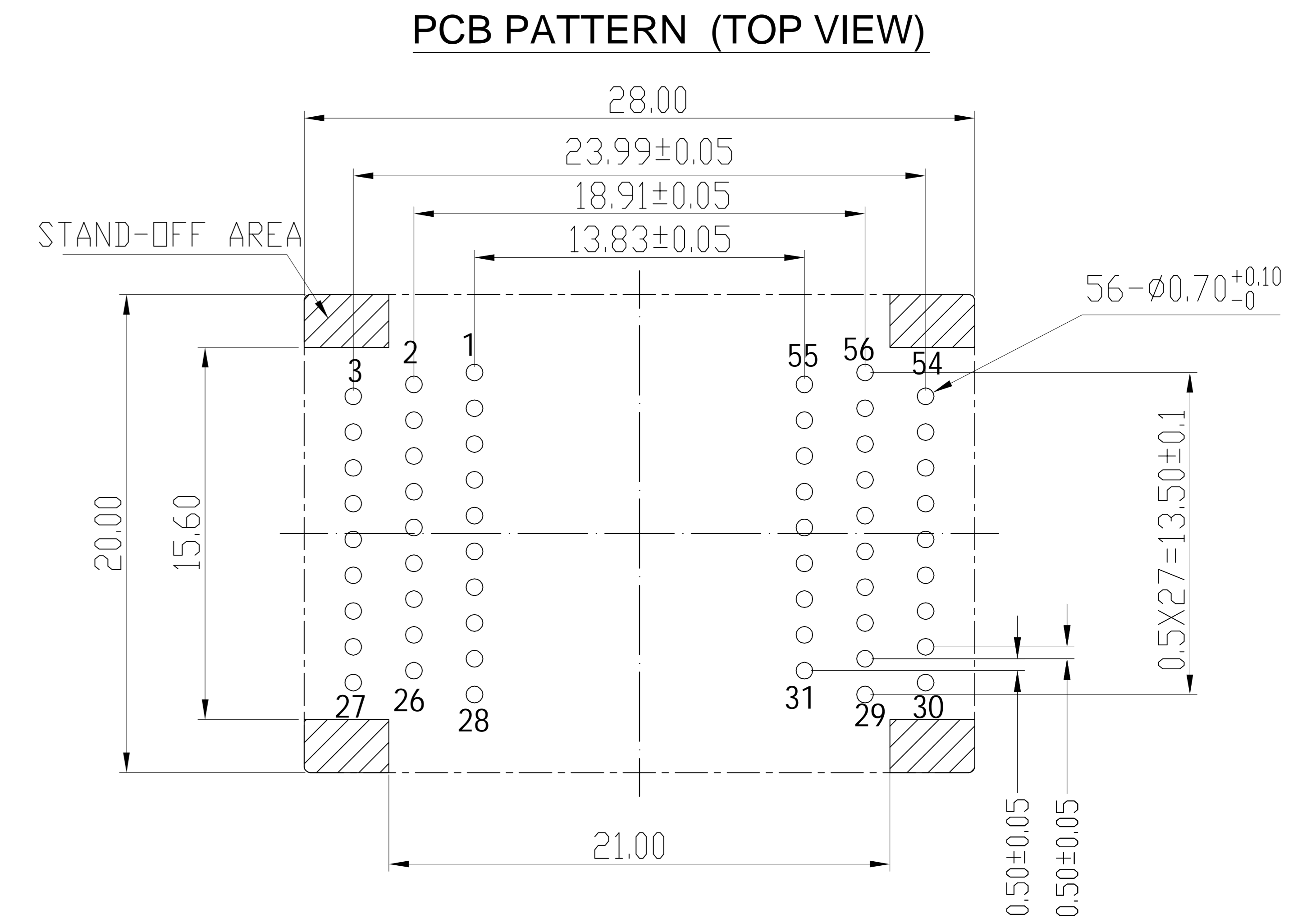
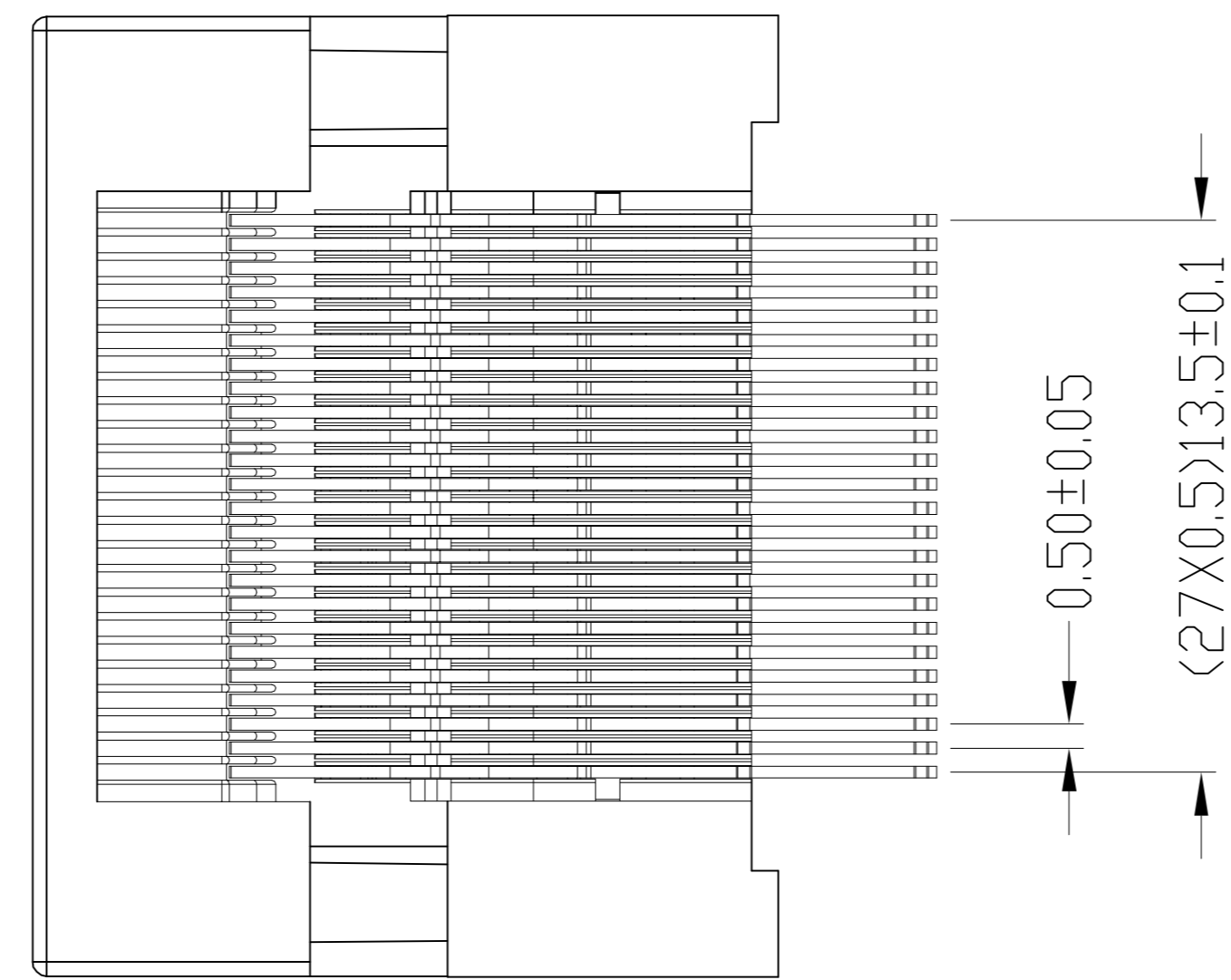
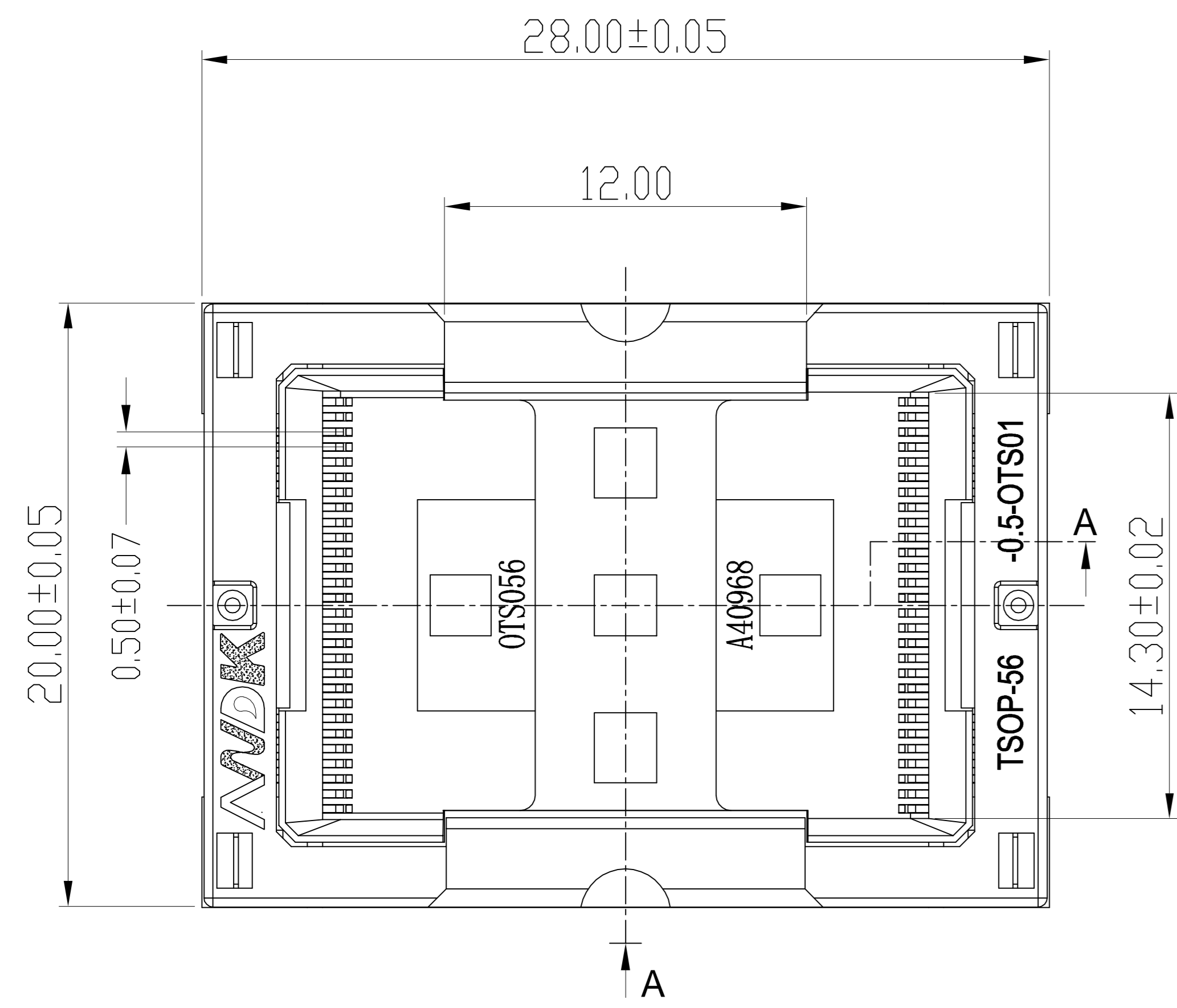
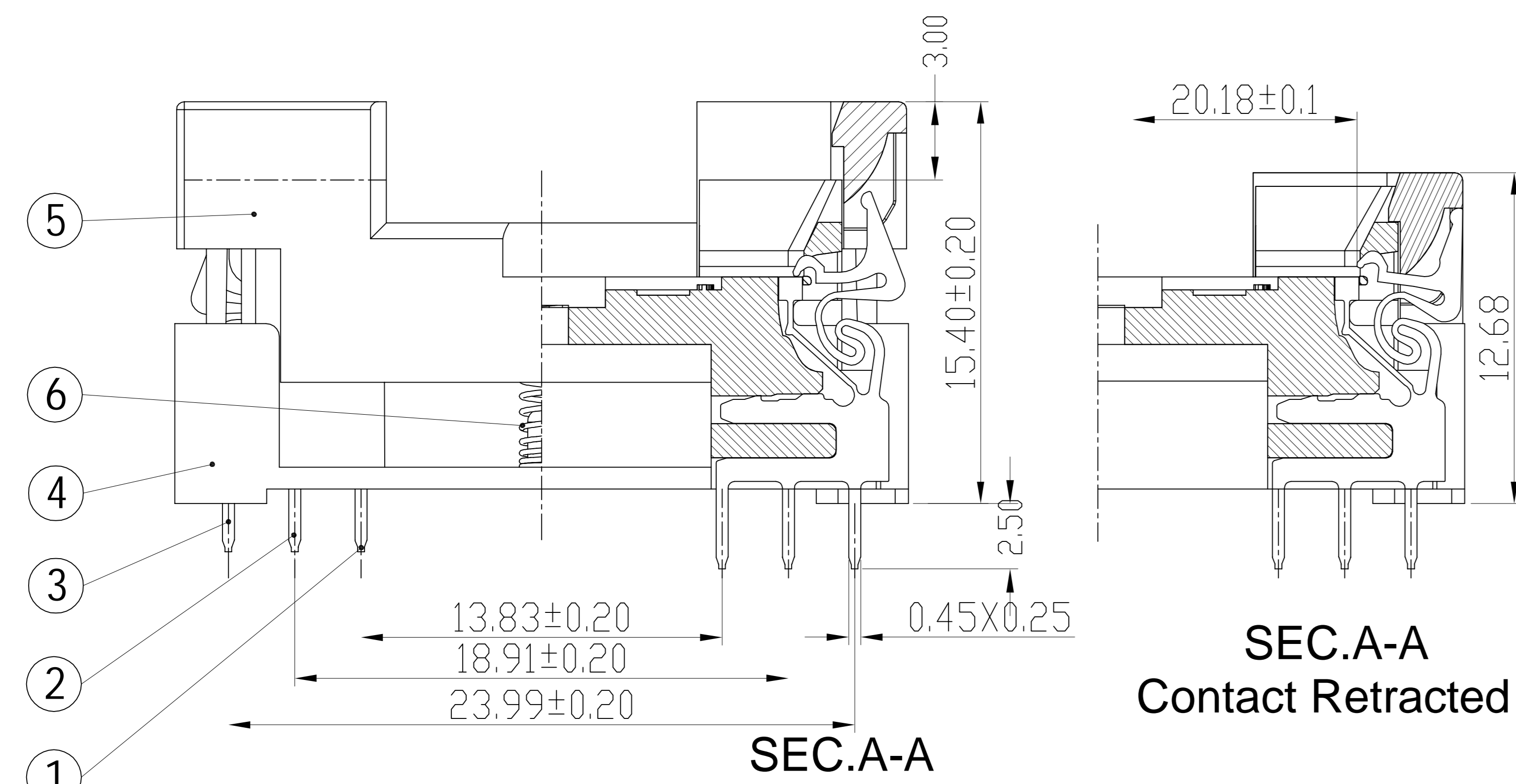
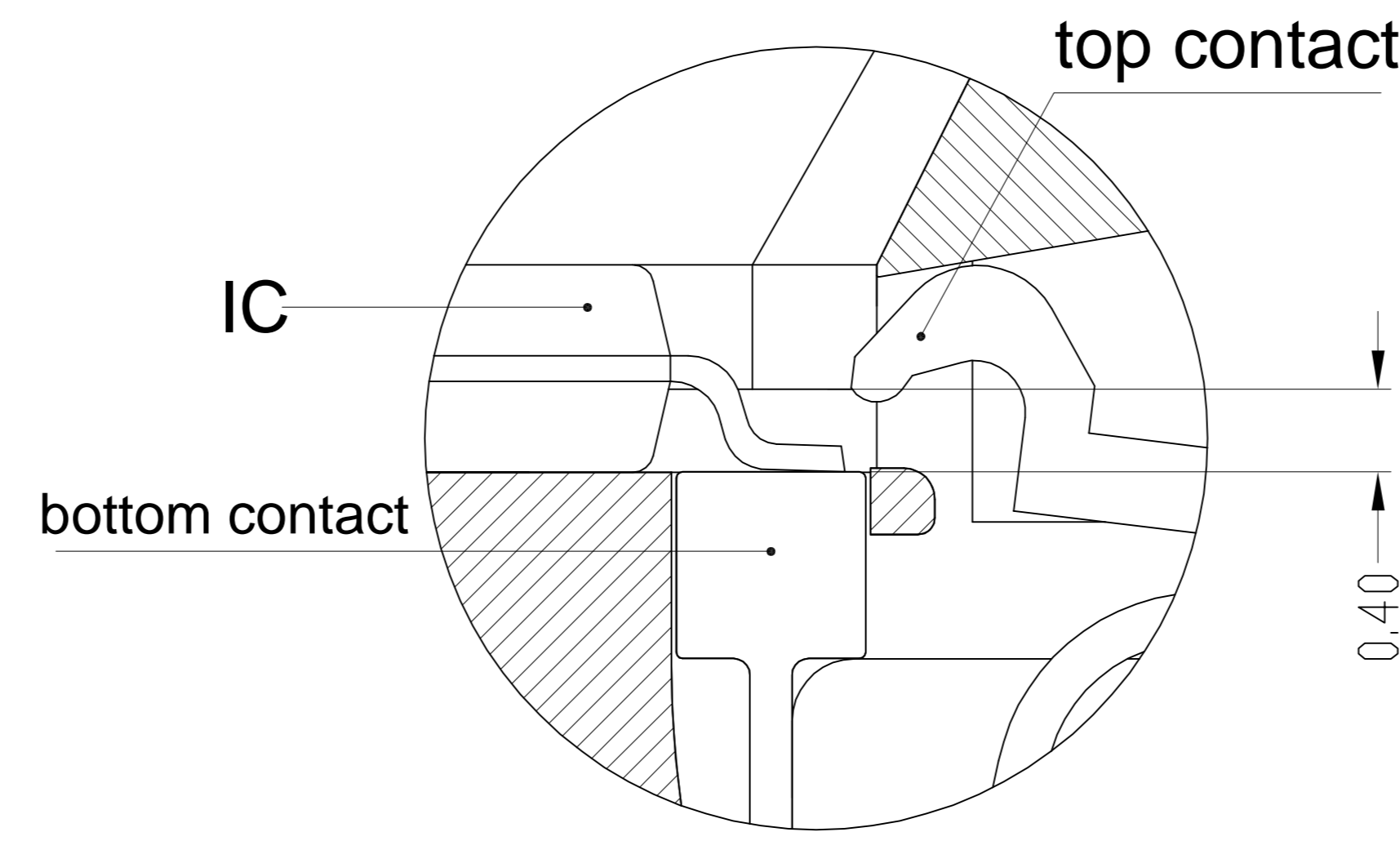


REVISION	DESCRIPTION	CHECK	APP	DATE	REV. NOTICE. NO
△ 1					
△ 2					
△ 3					

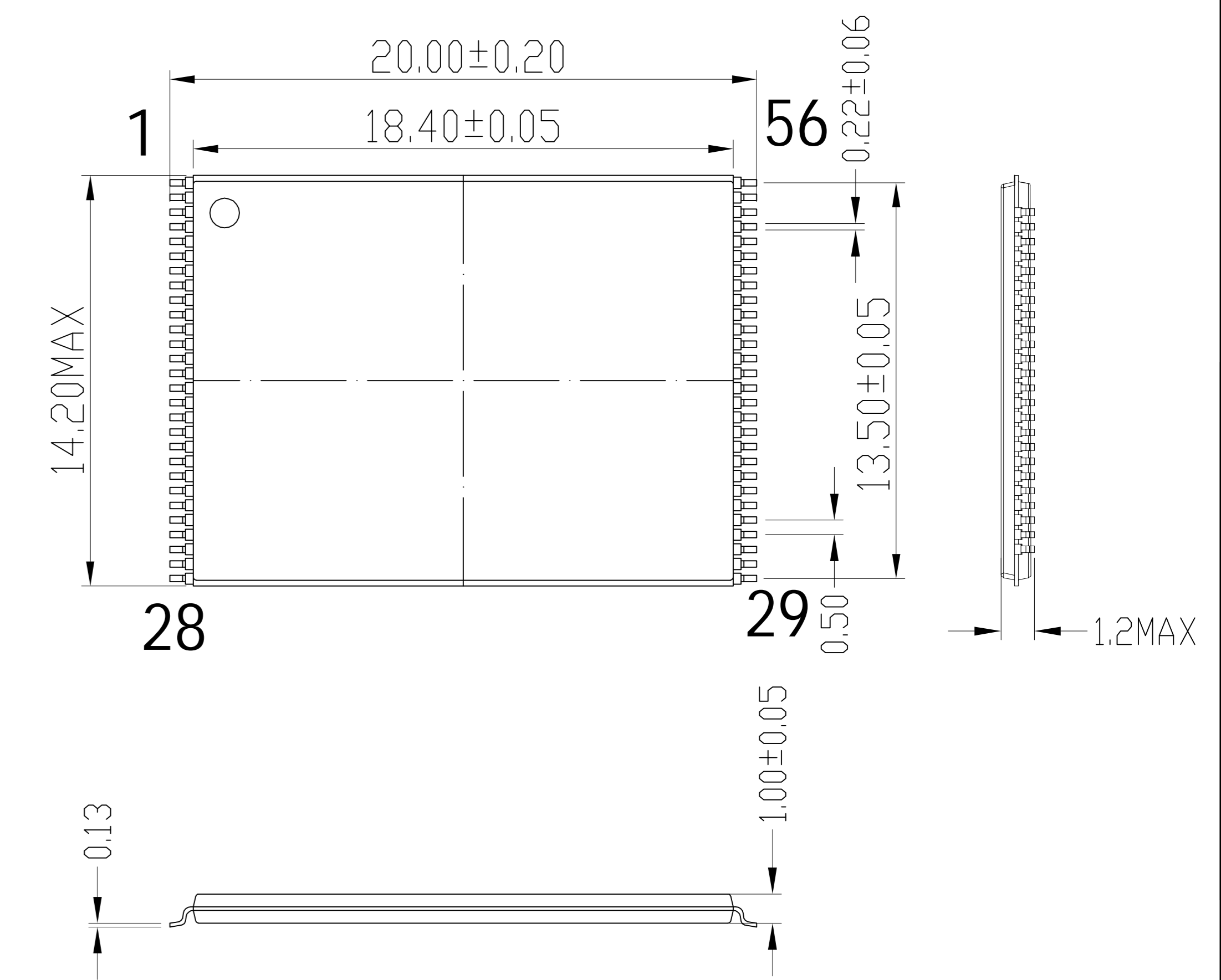


Insertion



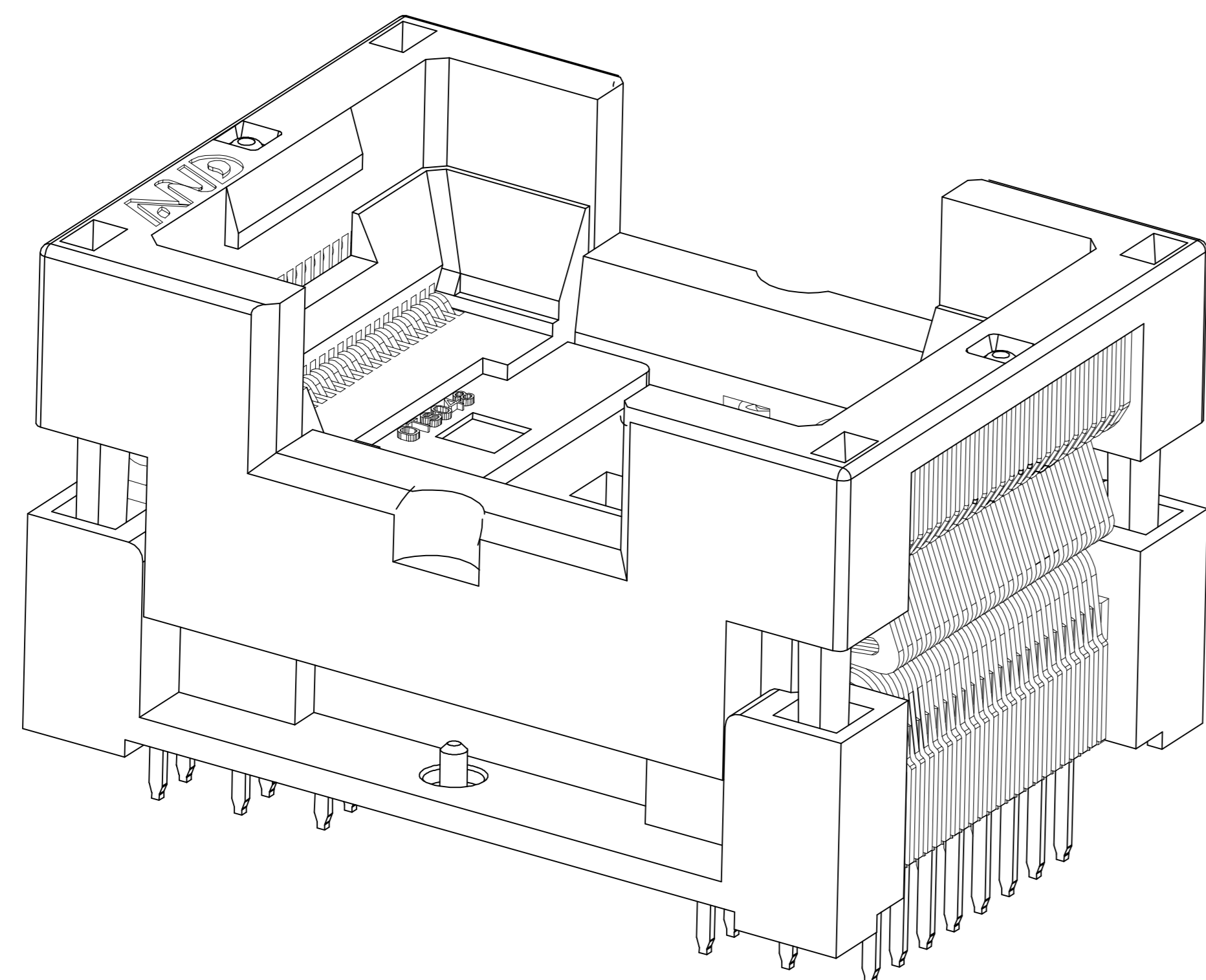
CONTACT LEAD  
W 0.45Xt 0.25

APPLICABLE IC



PERFORMANCE

1. Insulation Resistance: 1000mΩ Min. At DC 500V
2. Dielectric Withstanding Voltage For 1 Minute At AC 700V
3. Contact Resistance 30mΩ MAX. at 10mA and 20mV MAX.(Initial)
4. Operation Temperature -65°C ~+175°C
5. Life Span 15,000 Times (Mechanical)
6. Operation Force 0.9 Kg MAX



6	30-B-4505B	SPRING	SUS	2	FOR COVER
5	210-048-B105D	COVER	PEI	1	BLACK
4	210-048-A105D	BASE	PEI	1	BLACK
3	1013-03LA	CONTACT	BeCu	18	Au PLATING
2	1013-02LA	CONTACT	BeCu	20	Au PLATING
1	1013-01LA	CONTACT	BeCu	18	Au PLATING
No	Part Number	Name	Material	Q/ty	Note

TOLERANCE	PROJECTION	GENERAL TOLERANCES	TITLE
X. ± 0.50	DIMENSION: mm	R E V ±0.10	TSOP56-0.5-1 SOCKET
X. X ± 0.25	APP:	SCALE: 1:1	CLASS TSOP56-0.5-TP02NT
X. XX ± 0.10	CHECK:	DATE:	DRW. NO 01
X. XXX ± 0.05	DEGK: ENG03	DATE: 20170116	

