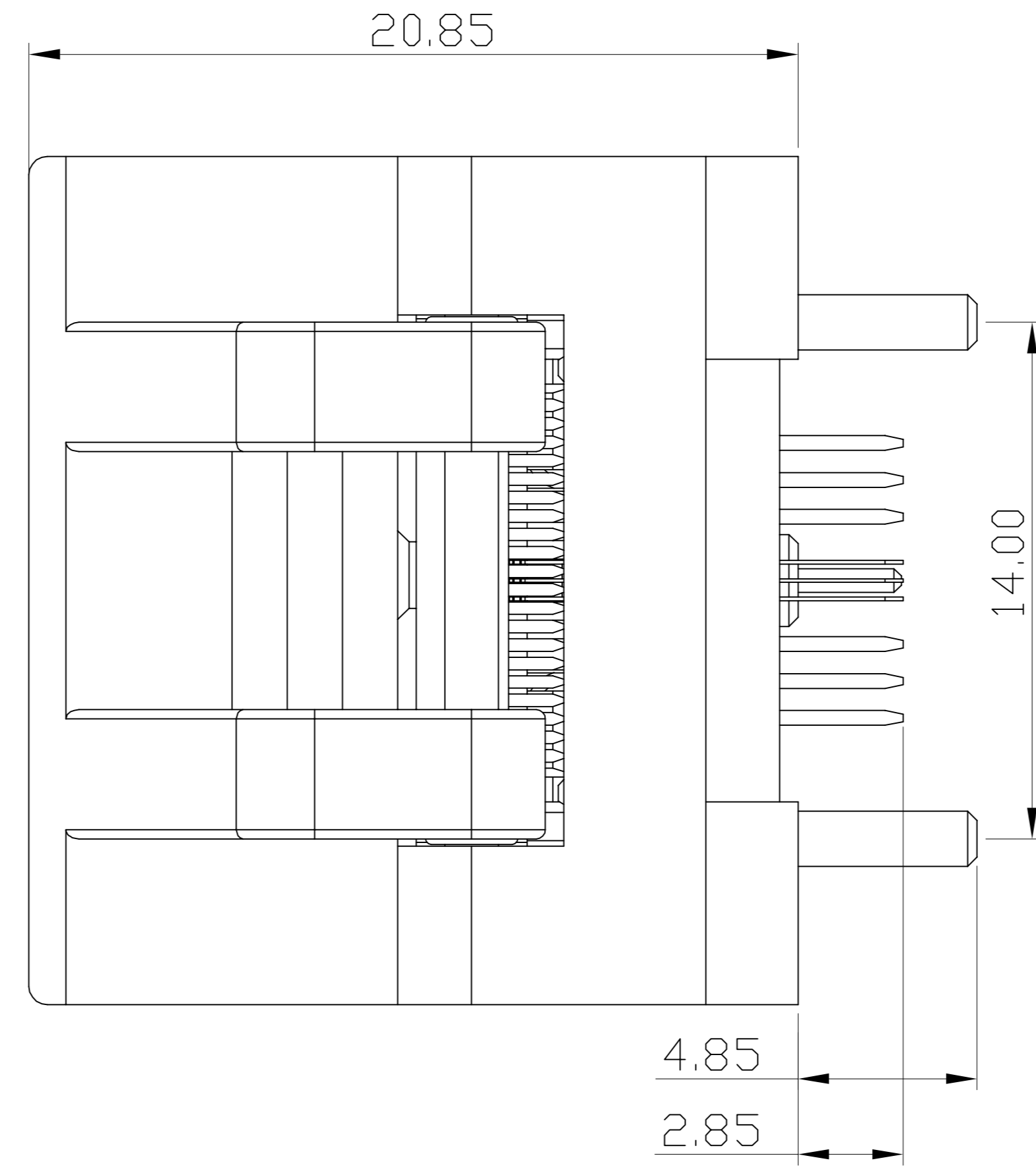
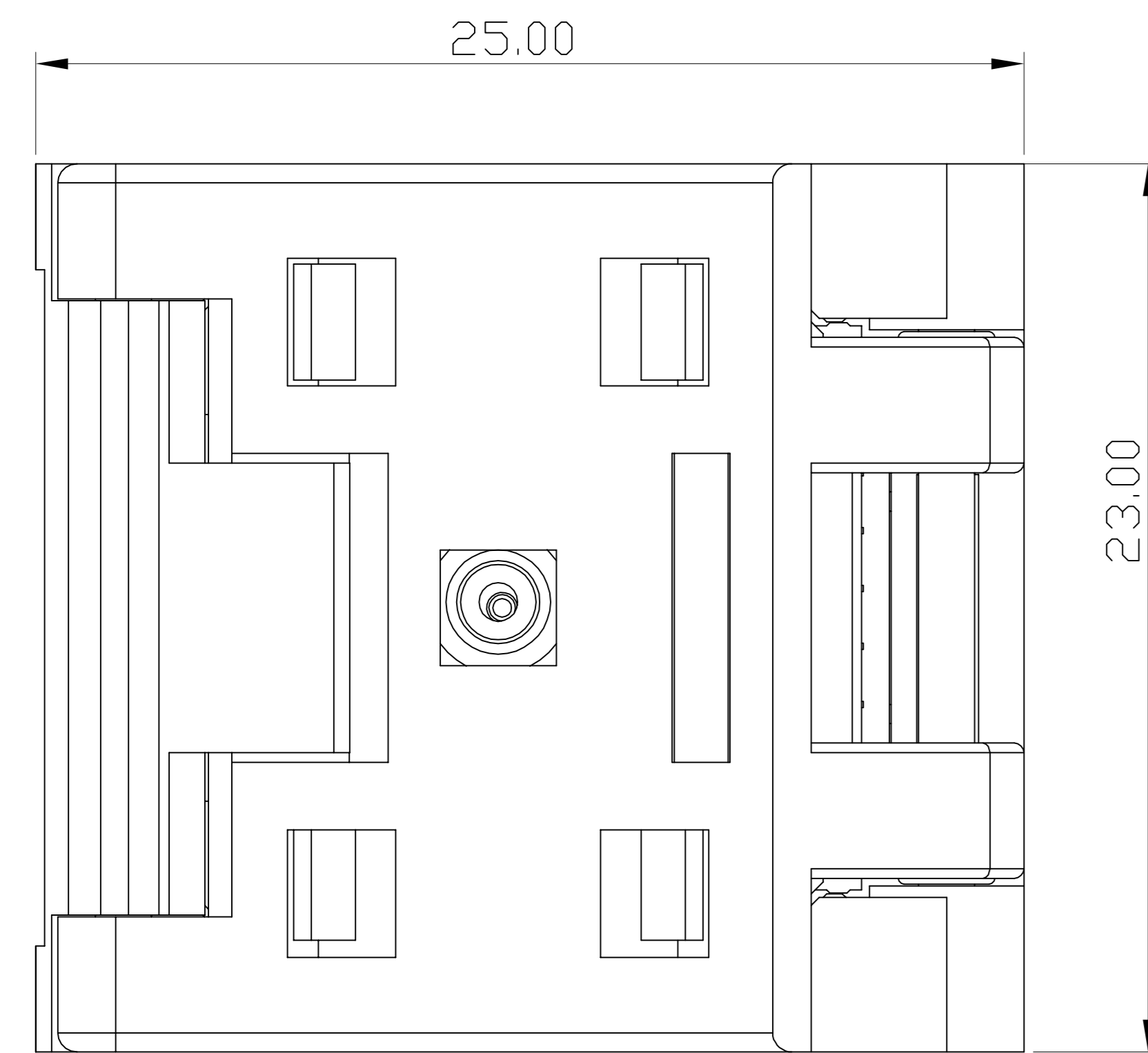
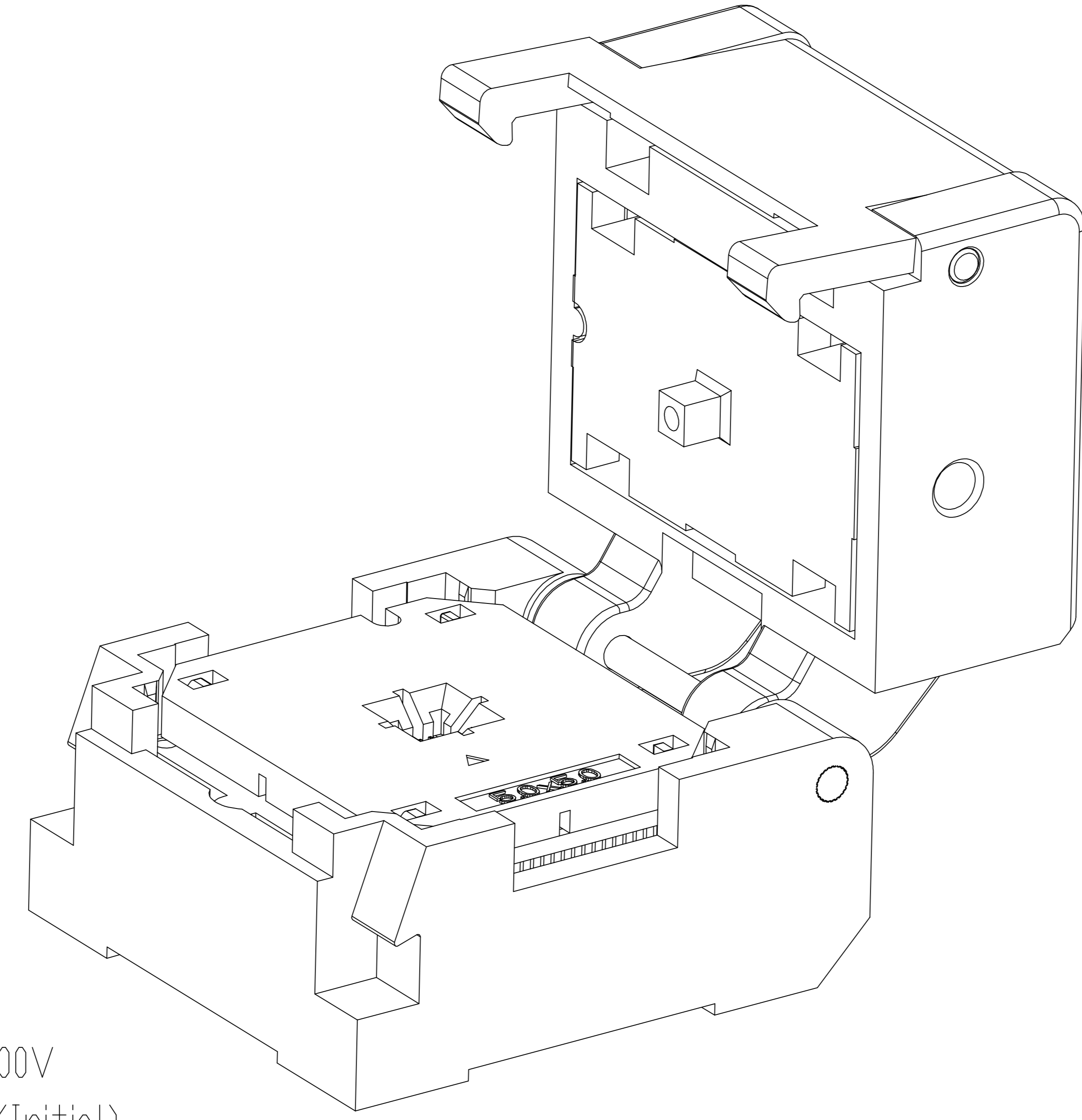
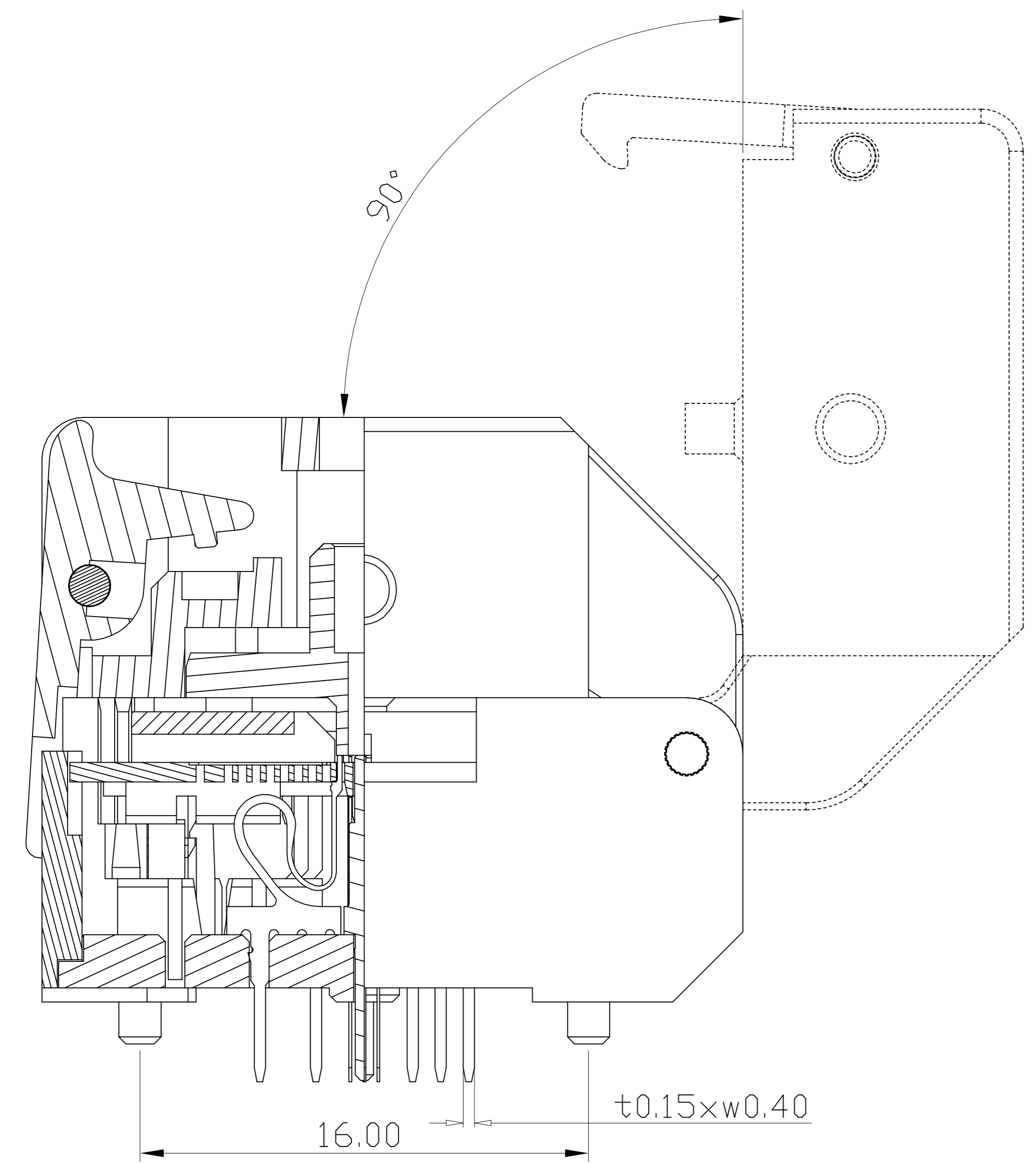
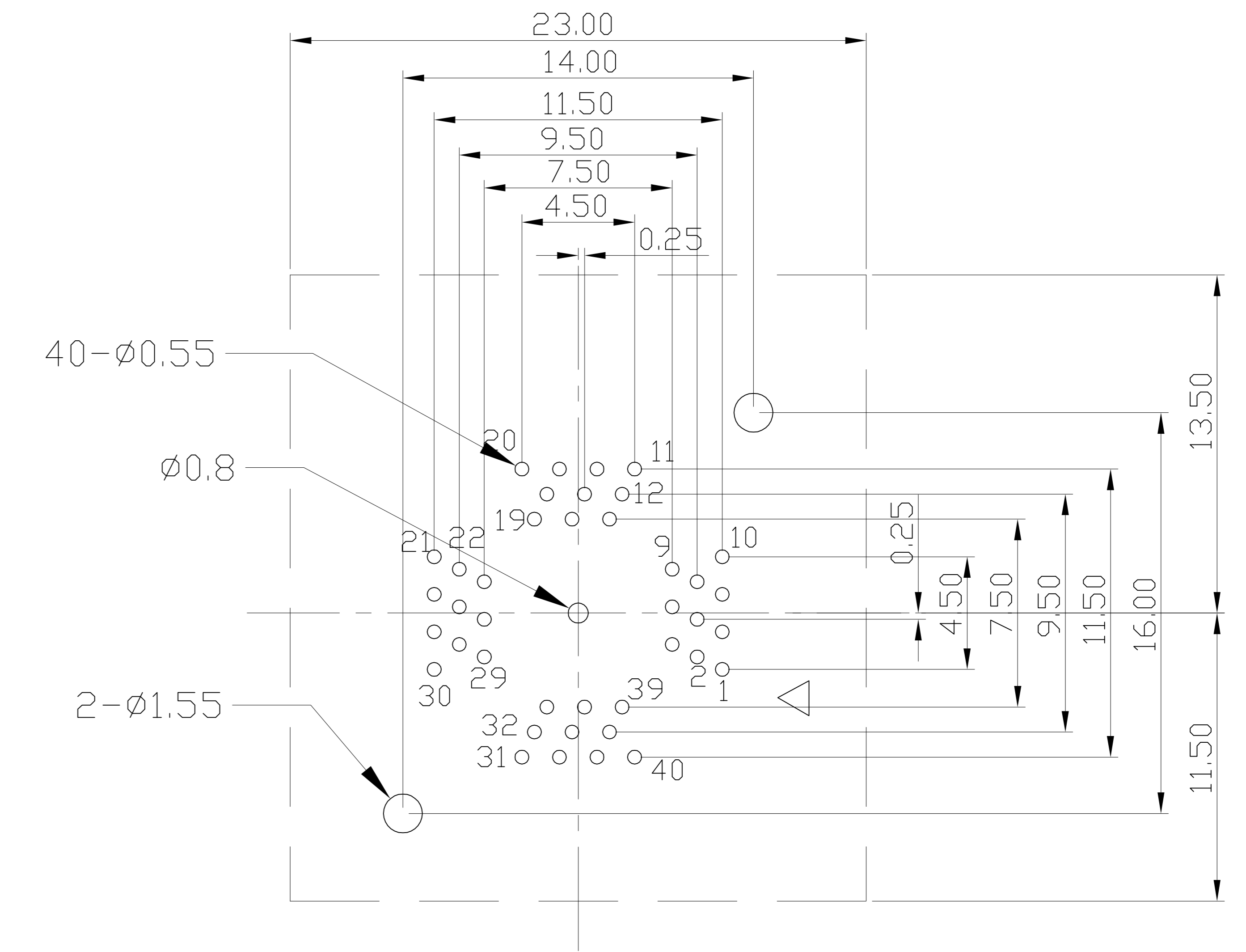


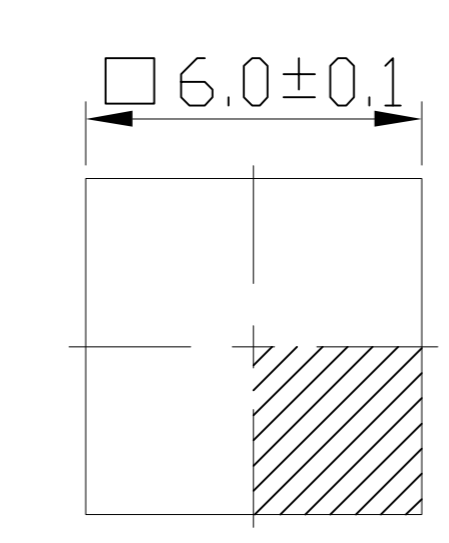
REVISION	DESCRIPTION	CHECK	APP	DATE	REV. NOTICE. NO
△1					
△2					
△3					



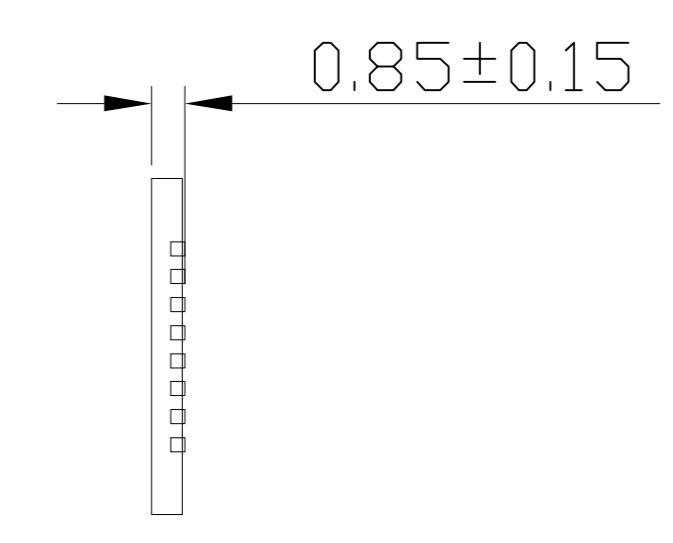
PCB Pattern(TOP View)



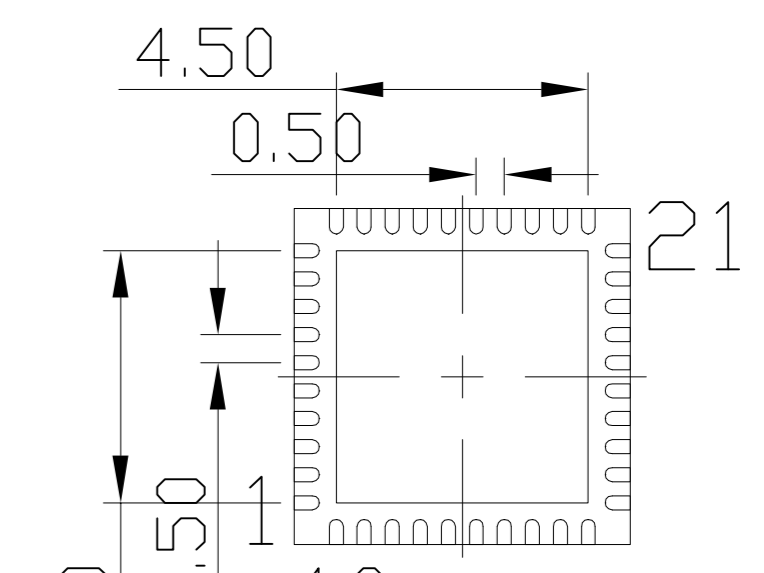
Applicable IC



TOP VIEW



SIDE VIEW



BOTTOM VIEW

PERFORMANCE

- 1、Insulation Resistance: 1000MΩ Min.At DC 500V
- 2、Dielectric Withstanding Voltage For 1 Minute At AC 700V
- 3、Contact Resistance 30mΩ MAX. at 10mA and 20mV MAX.(Initial)
- 4、Current Rating: 1A max.
- 5、Operation Temperature -40°C ~+155°C
- 6、Life Span 15,000 Times (Mechanical)
- 7、Operation Force 2.0 Kg MAX

TOLERANCE	PROJECTION	GENERAL TOLERANCES	±0.10	TITLE	QFN40-0.5 SOCKET
X. ±0.50	DIMENSION: mm	R E V	A	CLASS	QFN40-0.5-CPO1GT
X. X ±0.25	APP:	SCALE: 1:1	DATE:	DRW. NO	6U-PWQFN-0.5-40-6X6-01
X. XX ±0.10	CHECK:	DATE:			
X. XXX ±0.05	DEGK: ENG03	DATE: 20150606			