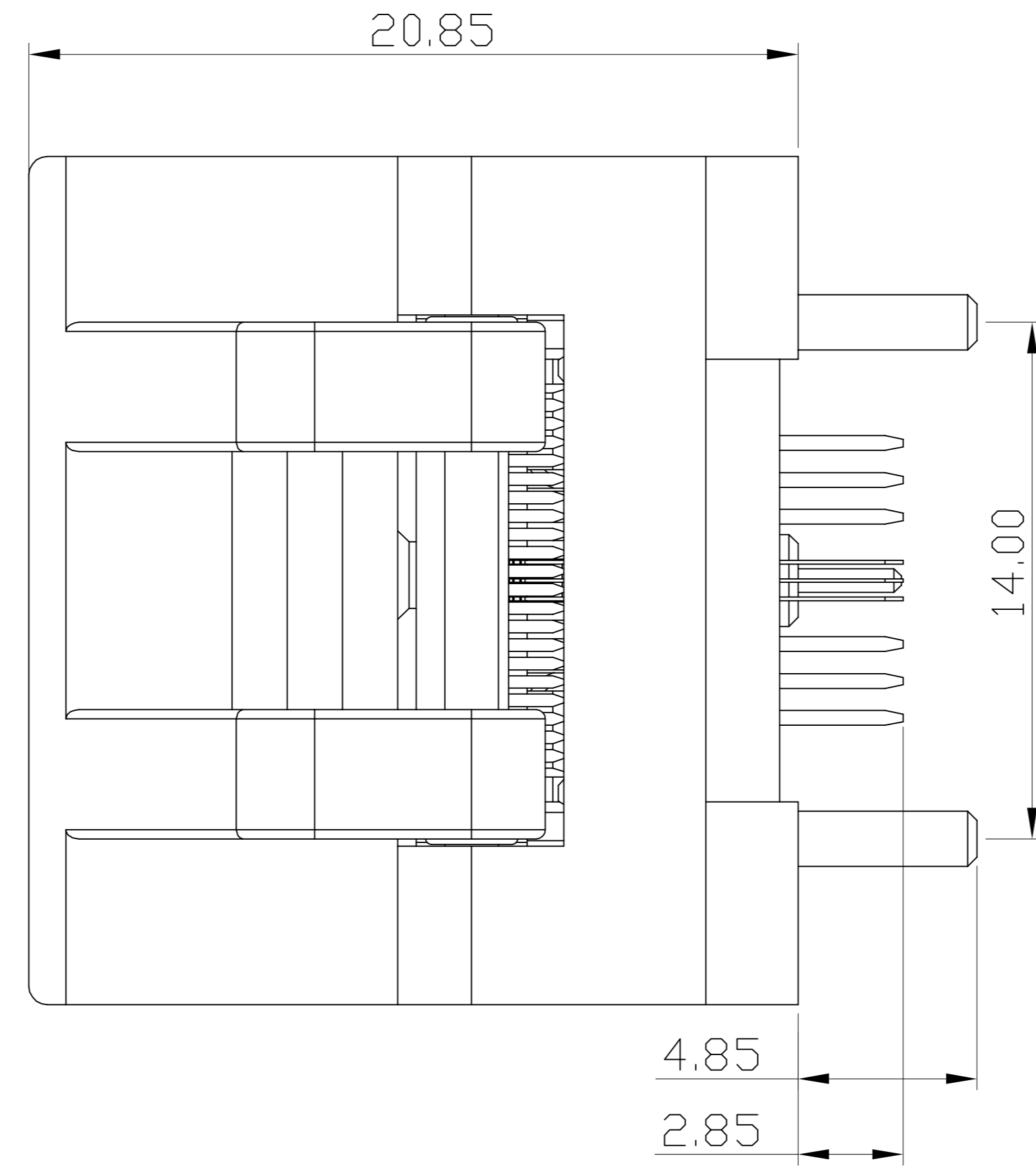
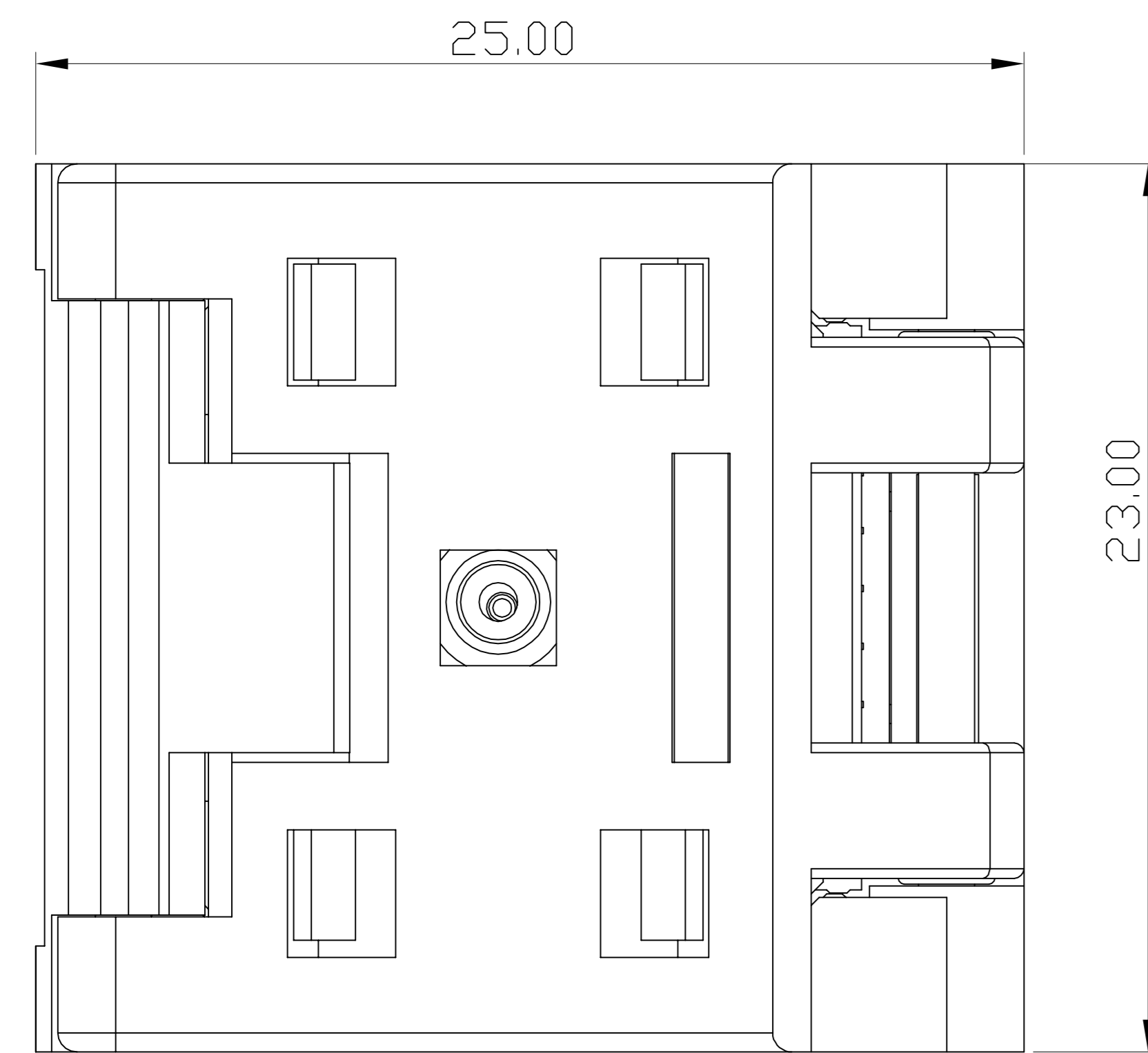
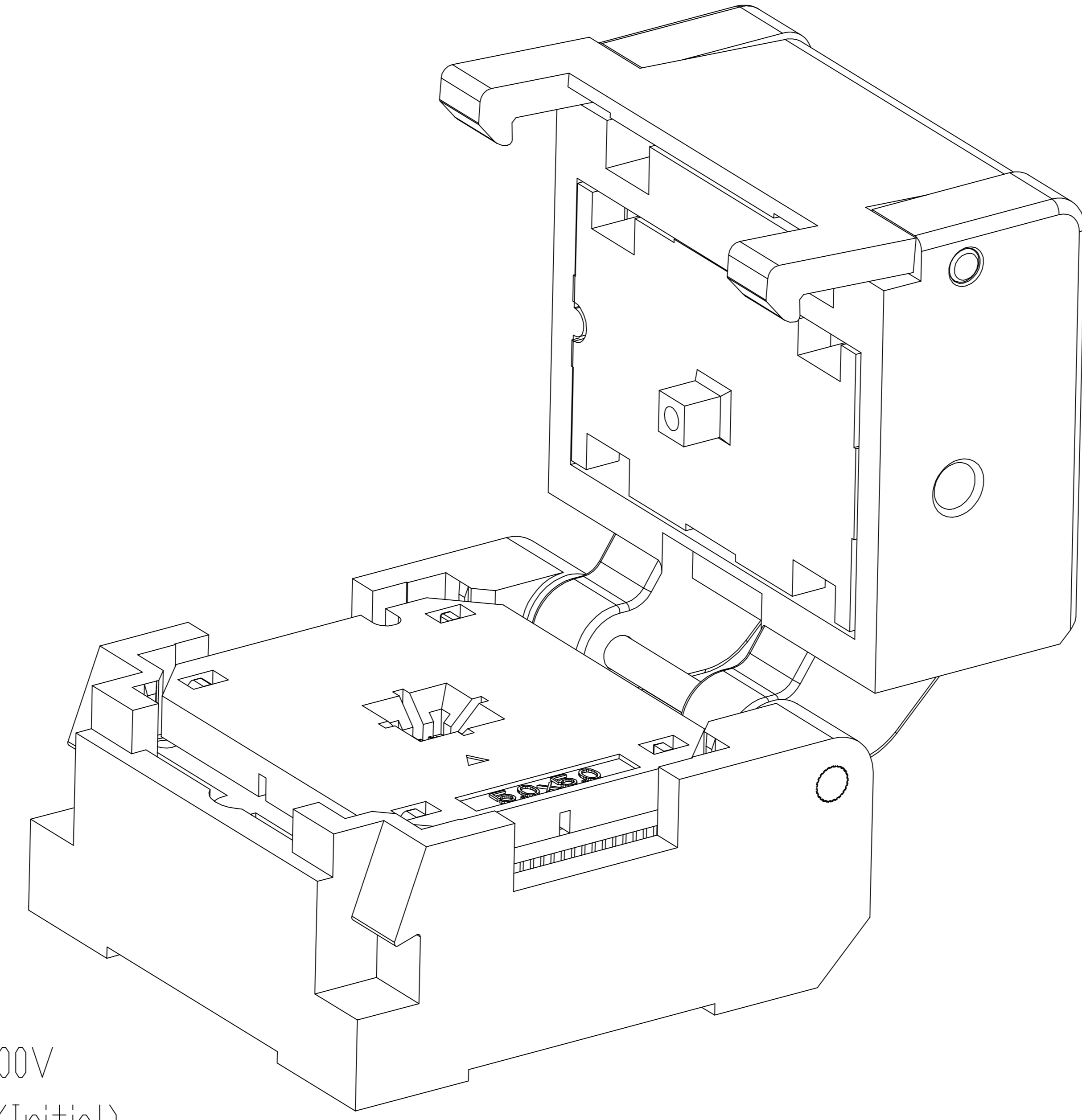
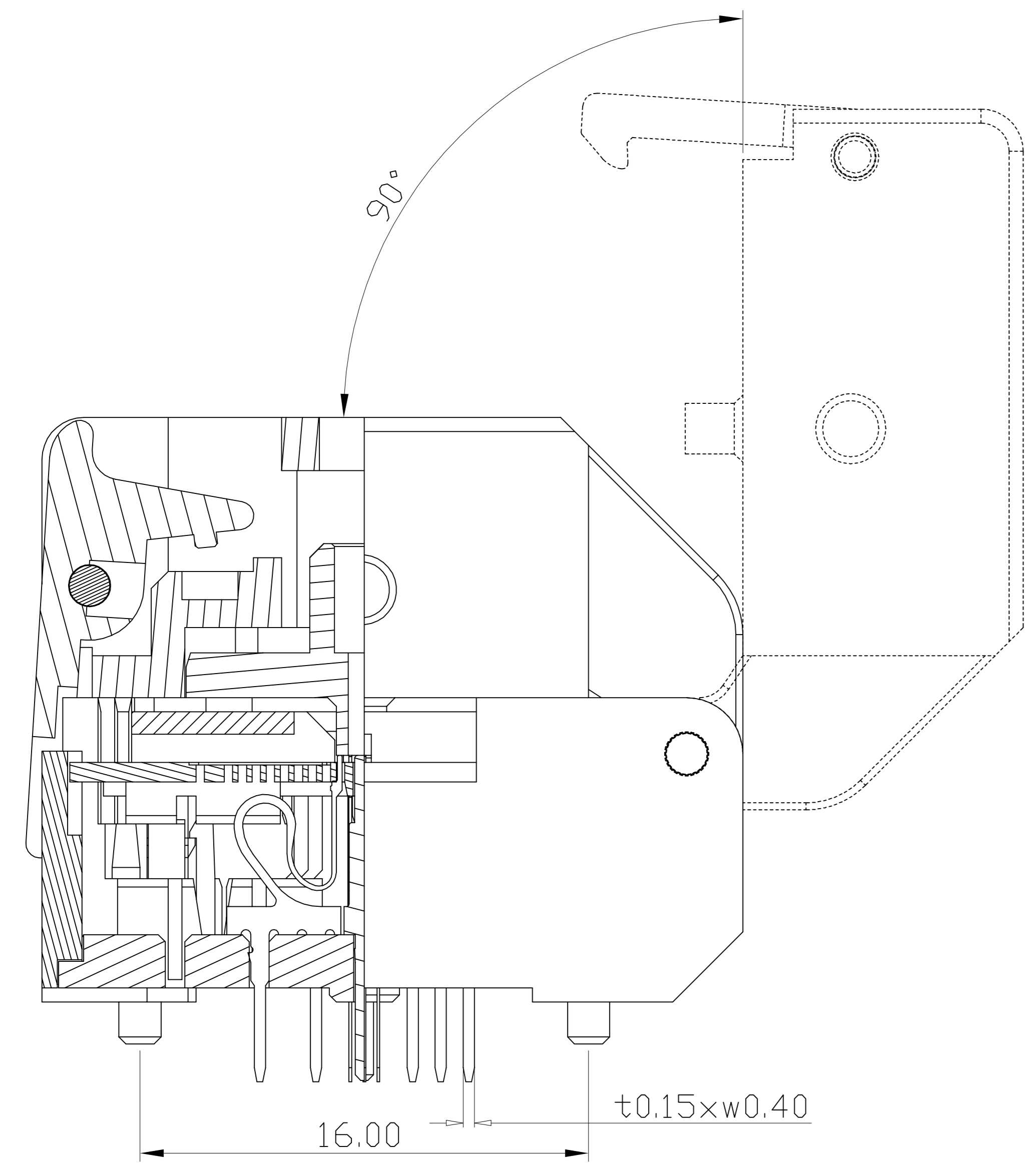
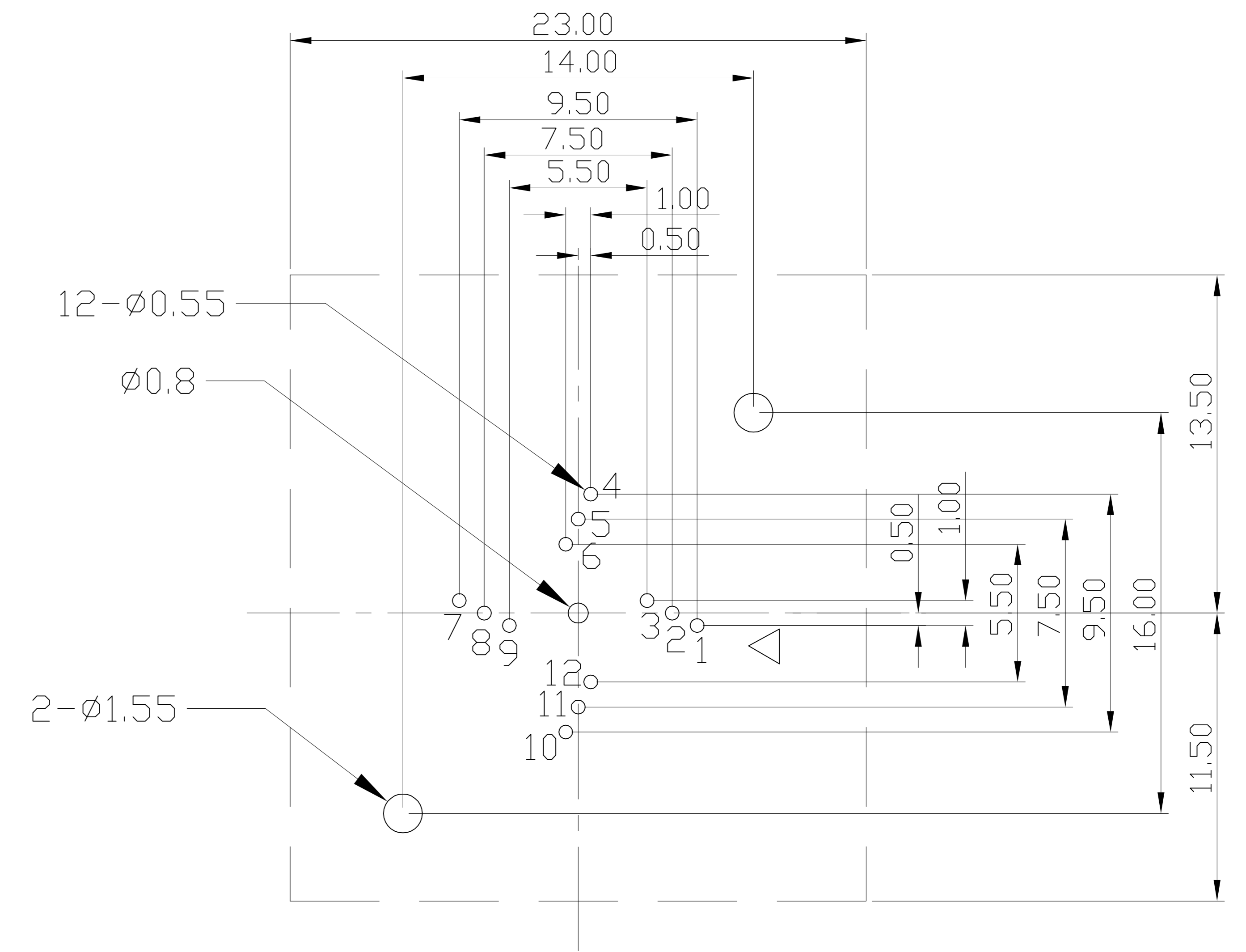


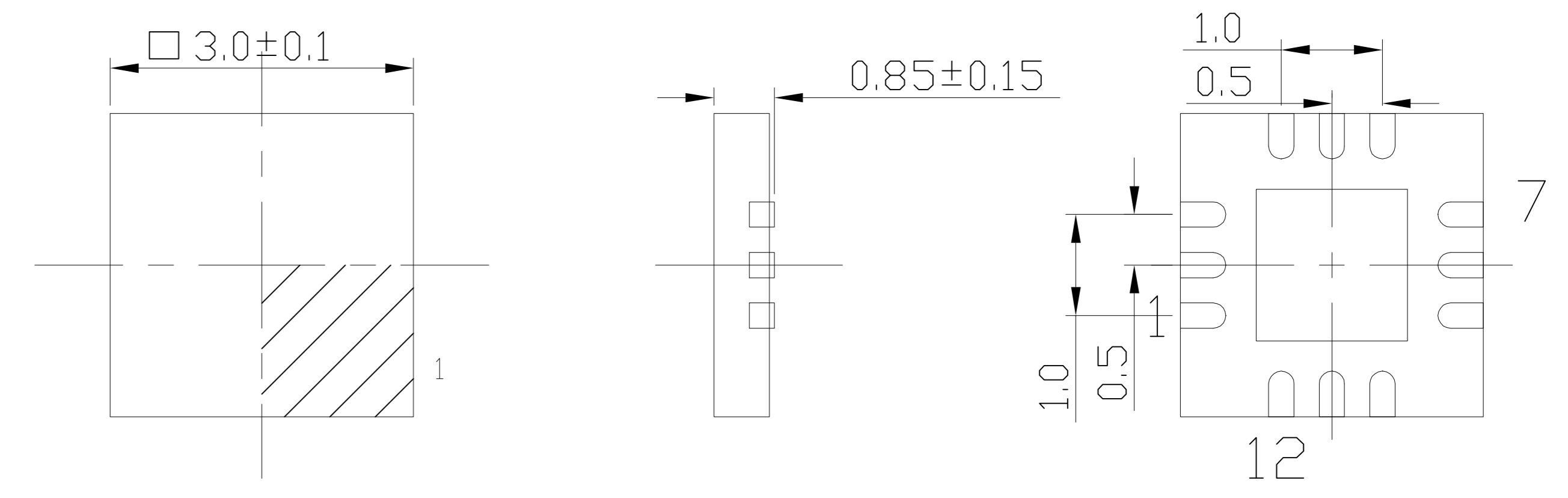
REVISION	DESCRIPTION	CHECK	APP	DATE	REV. NOTICE. NO
△1					
△2					
△3					



PCB Pattern(TOP View)



Applicable IC



TOP VIEW

SIDE VIEW

BOTTOM VIEW

PERFORMANCE

1. Insulation Resistance: 1000M Ω Min.At DC 500V
2. Dielectric Withstanding Voltage For 1 Minute At AC 700V
3. Contact Resistance 30m Ω MAX. at 10mA and 20mV MAX.(Initial)
4. Current Rating: 1A max.
5. Operation Temperature -40°C ~+155°C
6. Life Span 15,000 Times (Mechanical)
7. Operation Force 2.0 Kg MAX

TOLERANCE	PROJECTION	GENERAL TOLERANCES	±0.10	TITLE	QFN12-0.5 SOCKET
X.	±0.50	mm	REVA	CLASS	QFN12-0.5-CP02GT
X.X	±0.25	APP:	SCALE: 1:1	DRW. NO	6U-PWQFN-0.5-12-3X3-01
X.XX	±0.10	CHECK:	DATE:		
X.XXX	±0.05	DEGK: ENG03	DATE: 20150606		