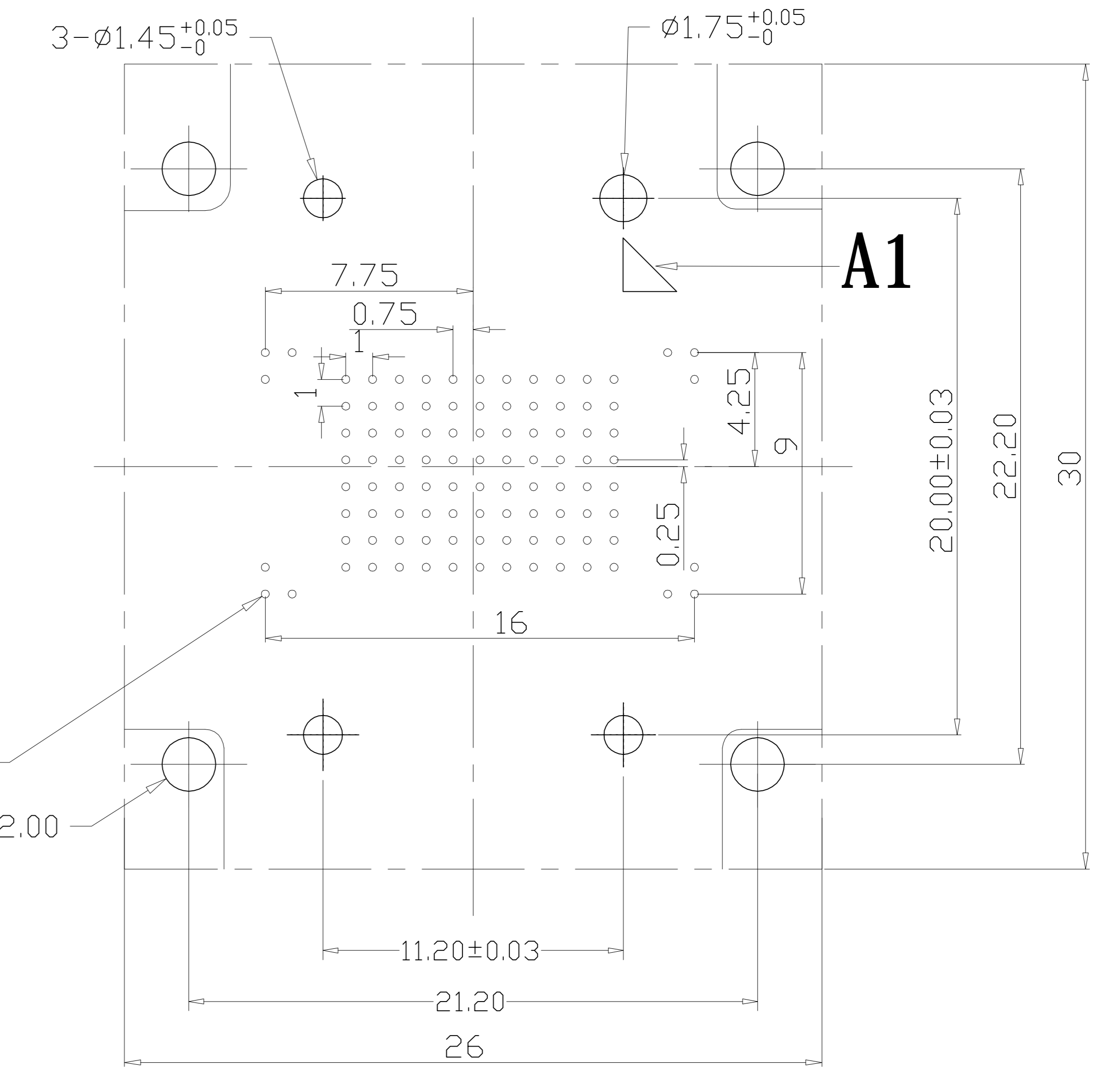
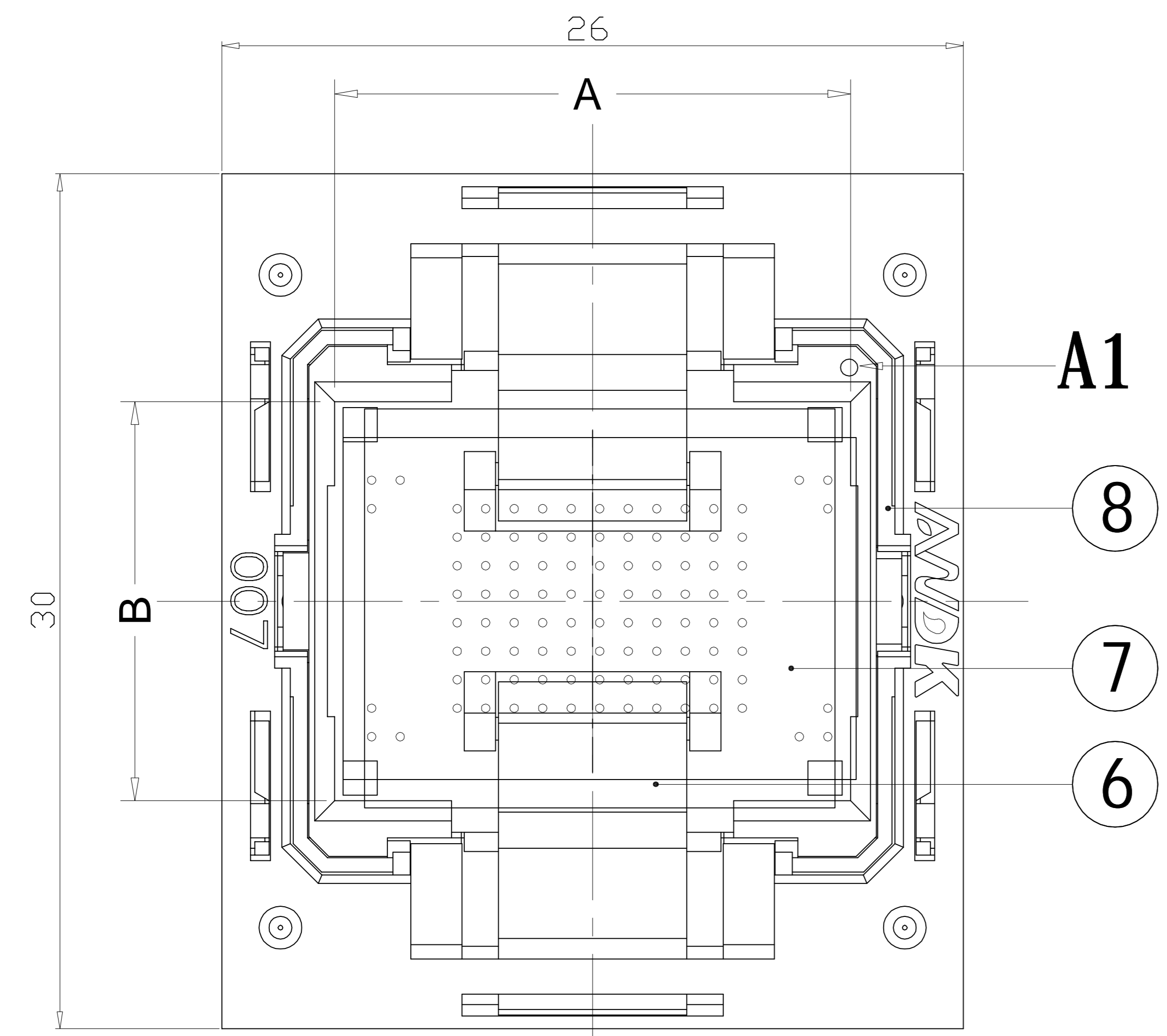
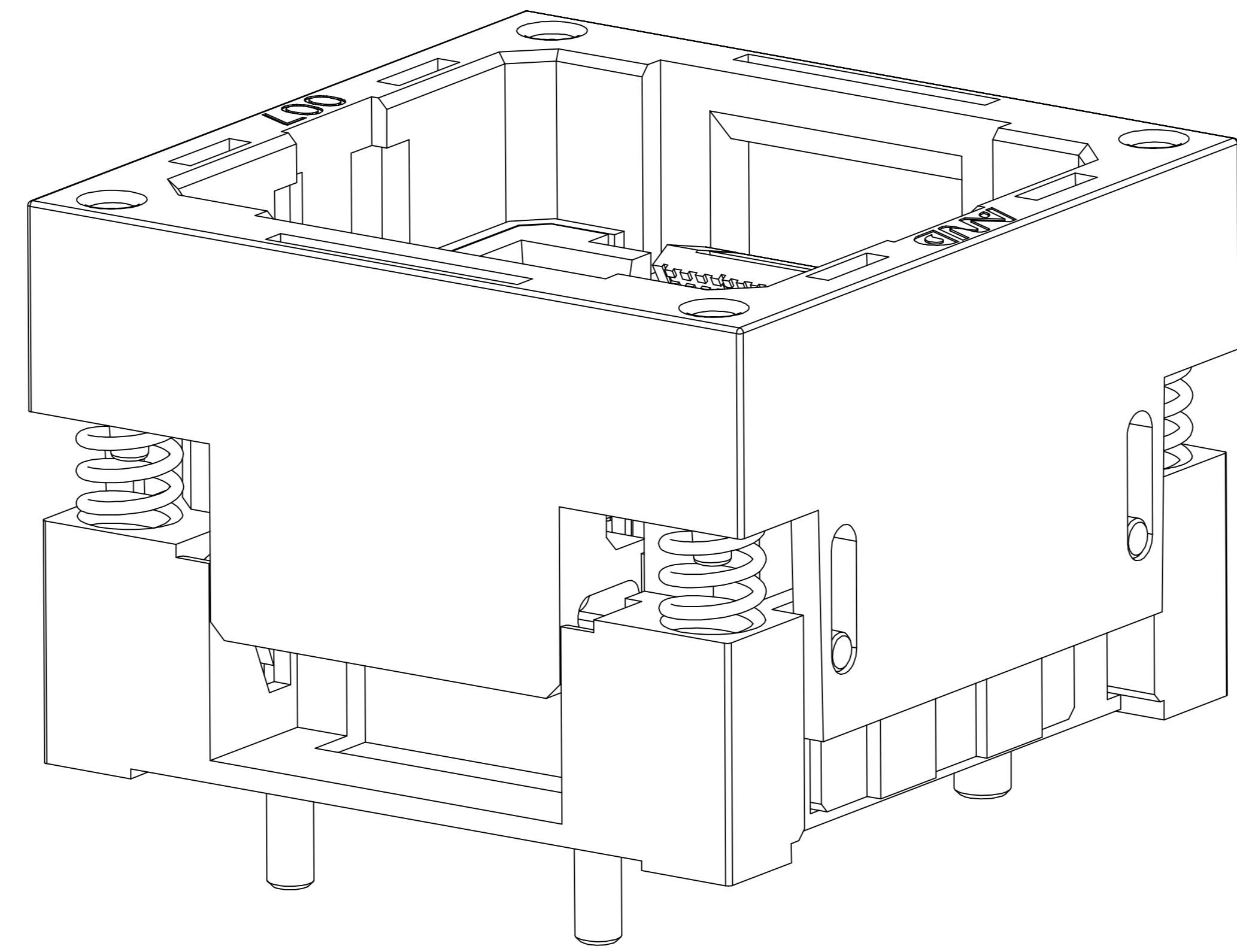
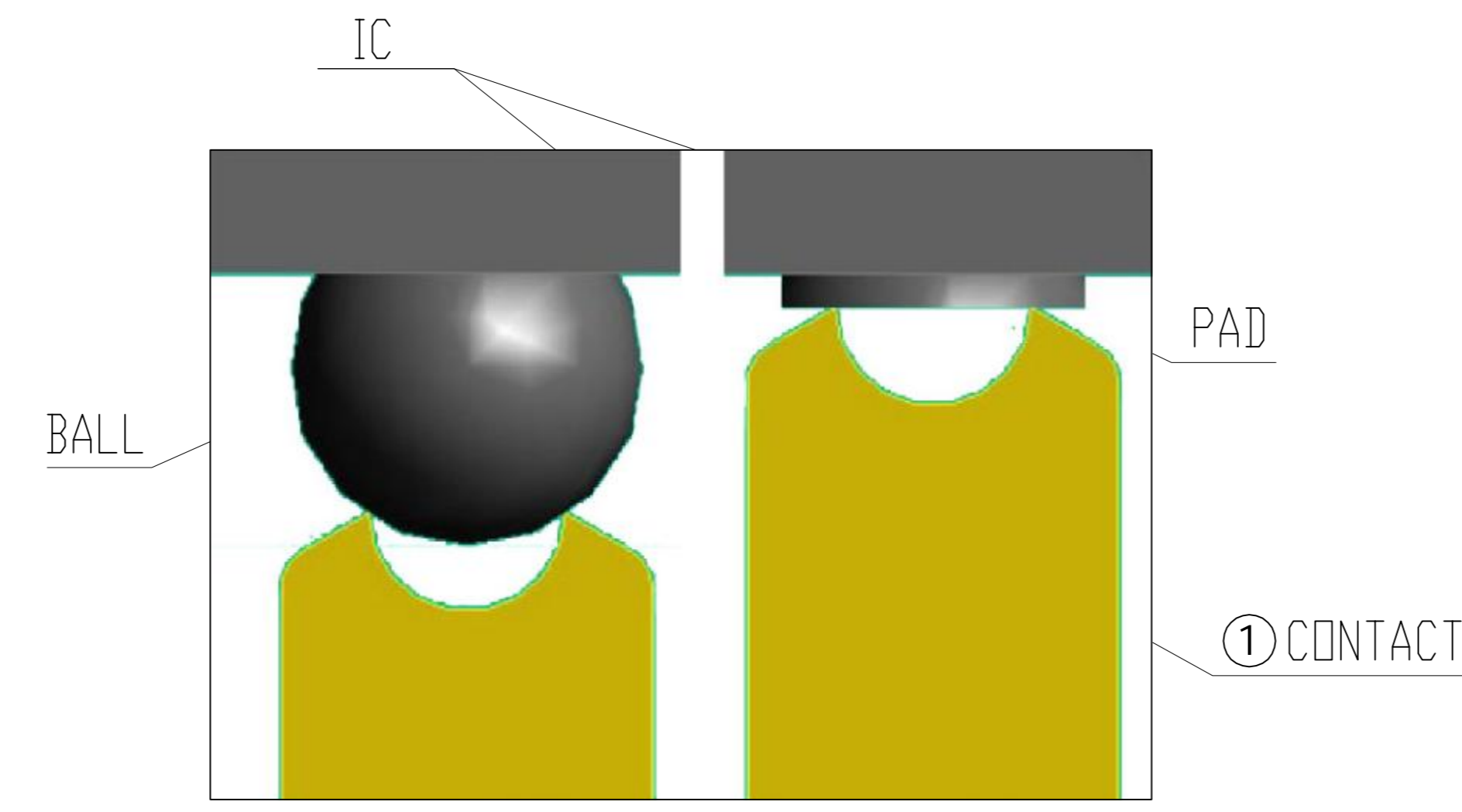
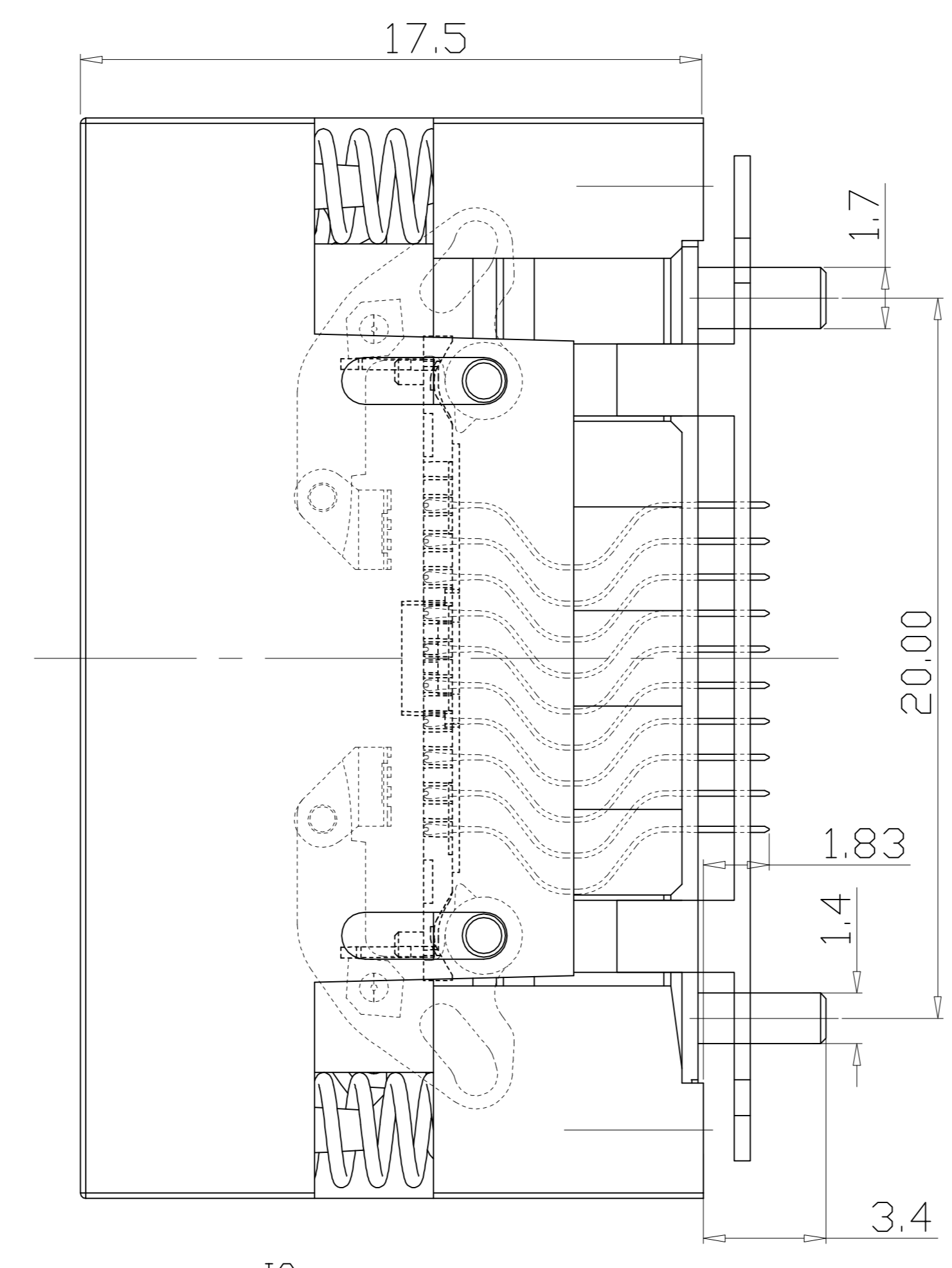
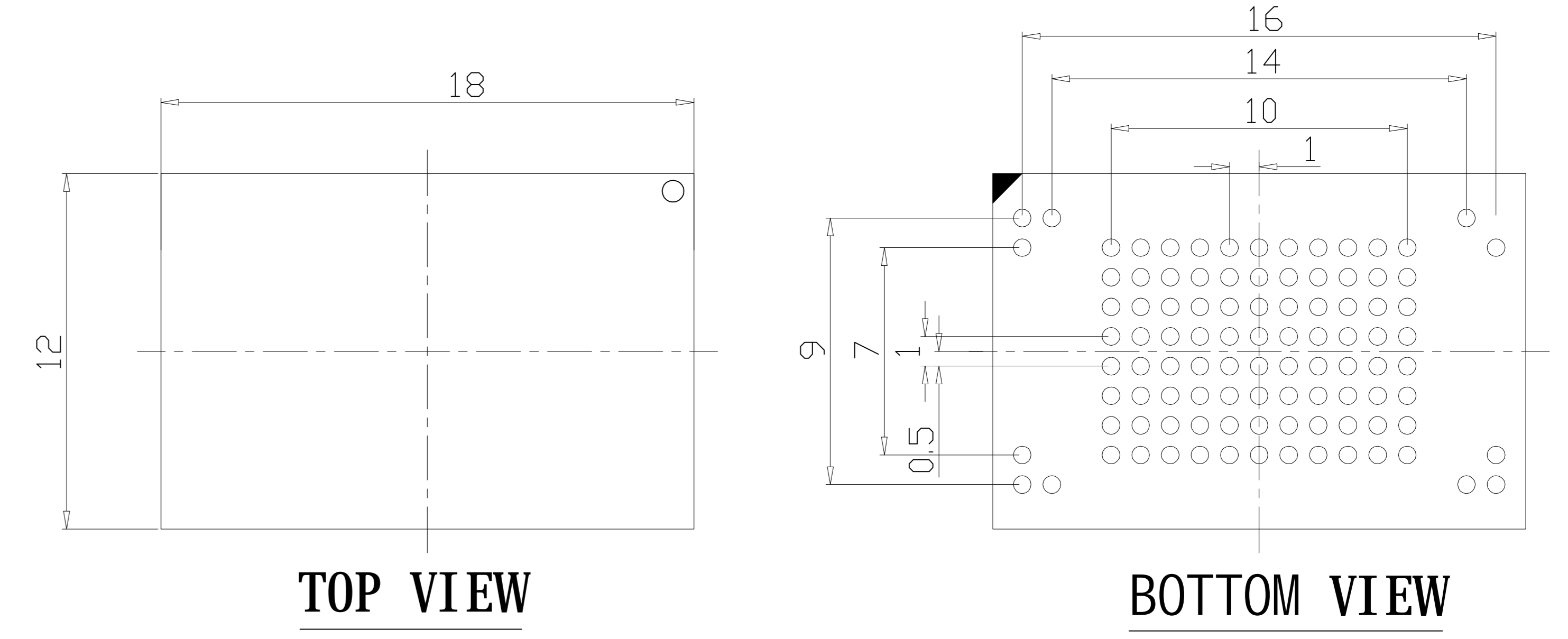


REVISION	DESCRIPTION	CHECK	APP	DATE	REV. NOTICE. NO
△ 1					
△ 2					
△ 3					

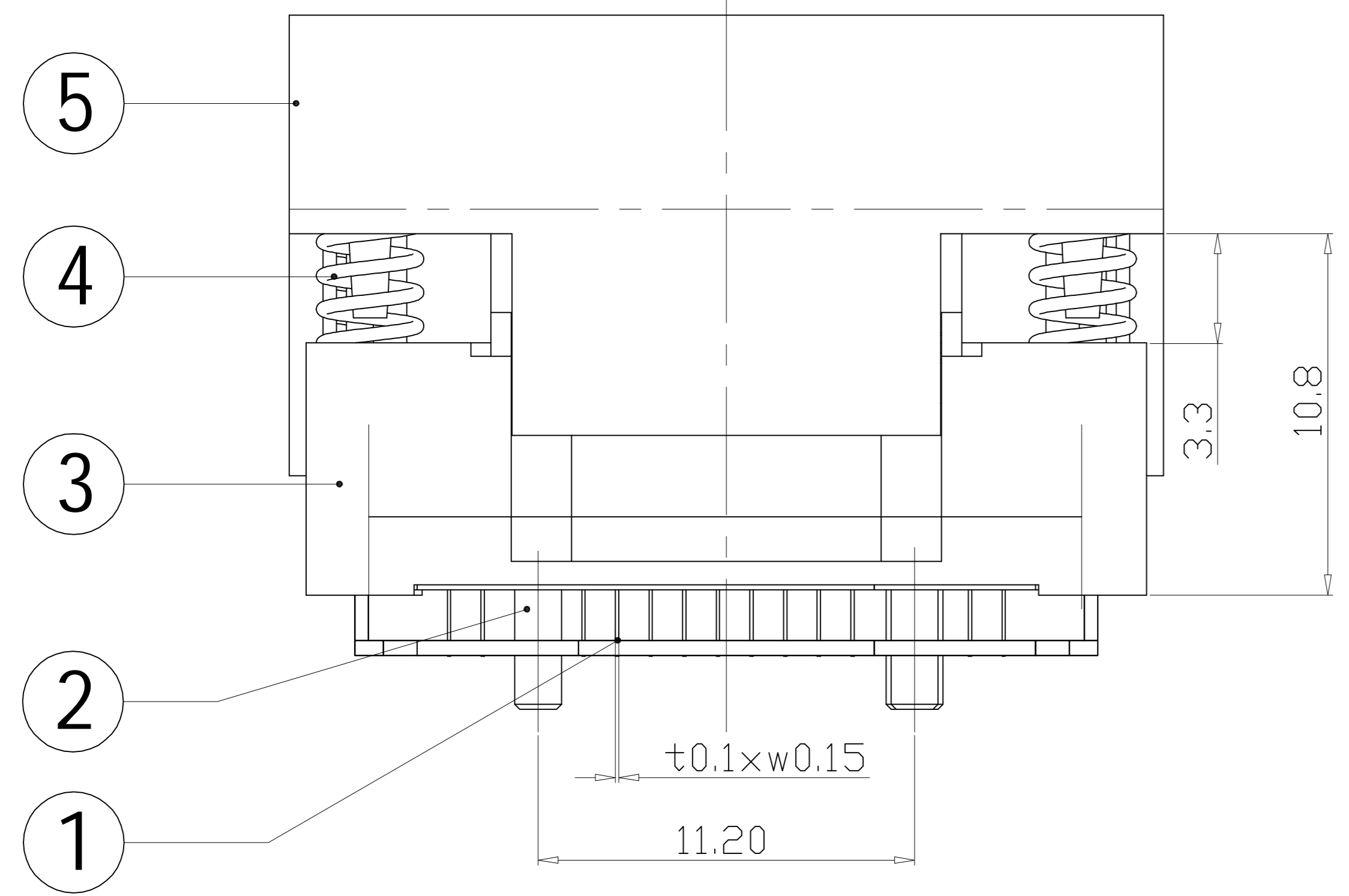
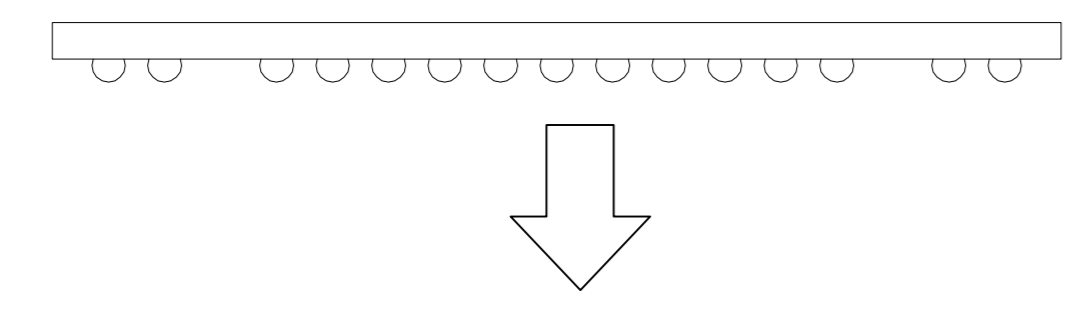
**PCB Pattern(TOP View)**



**Applicable IC**



IC Loading Direction  
(Center In)



**PERFORMANCE**

- 1, Insulation Resistance: 1000MΩ Min.At DC 500V
- 2, Dielectric Withstanding Voltage For 1 Minute At AC 700V
- 3, Contact Resistance 30mΩ MAX. at 10mA and 20mV MAX.(Initial)
- 4, Current Rating: 1A max.
- 5, Operation Temperature -65°C ~+175°C
- 6, Life Span 25,000 Times (Mechanical)
- 7, Testing chips with balls of different size or superficial oxidation,even if no ball

No	Part Number	Name	Material	Q/ty	Note
8	310-048-D105D	IC GUIDE	PEI/PES	2	BLACK
7	310-048-C105D	SLIDER	PEI/PES	1	BLACK
6	310-048-C105D	IC HOLDER	PEI/PES	2	BLACK
5	310-048-B105D	COVER	PEI/PES	1	BLACK
4	20-B-4505B	SPRING	SUS	4	FOR COVER
3	310-048-A105D	BASE	PEI/PES	1	BLACK
2	310-048-F105D	LOCATOR	PEI/PES	3	BLACK
1	04-A-1705	CONTACT	BeCu	100	Au PLATING

TOLERANCE	PROJECTION	GENERAL TOLERANCES	SCALE:	DATE:
X. ± 0.50	DIMENSION: mm	REVISION	1:1	
X.X ± 0.25	APP:	CLASS		
X.XX ± 0.10	CHECK:	DRW. NO		
X.XXX ± 0.05	DEGK: ENG03			DATE: 20160311

TITLE	CLASS
BGA100-1.0 SOCKET	BGA100-1.0-TP01NT