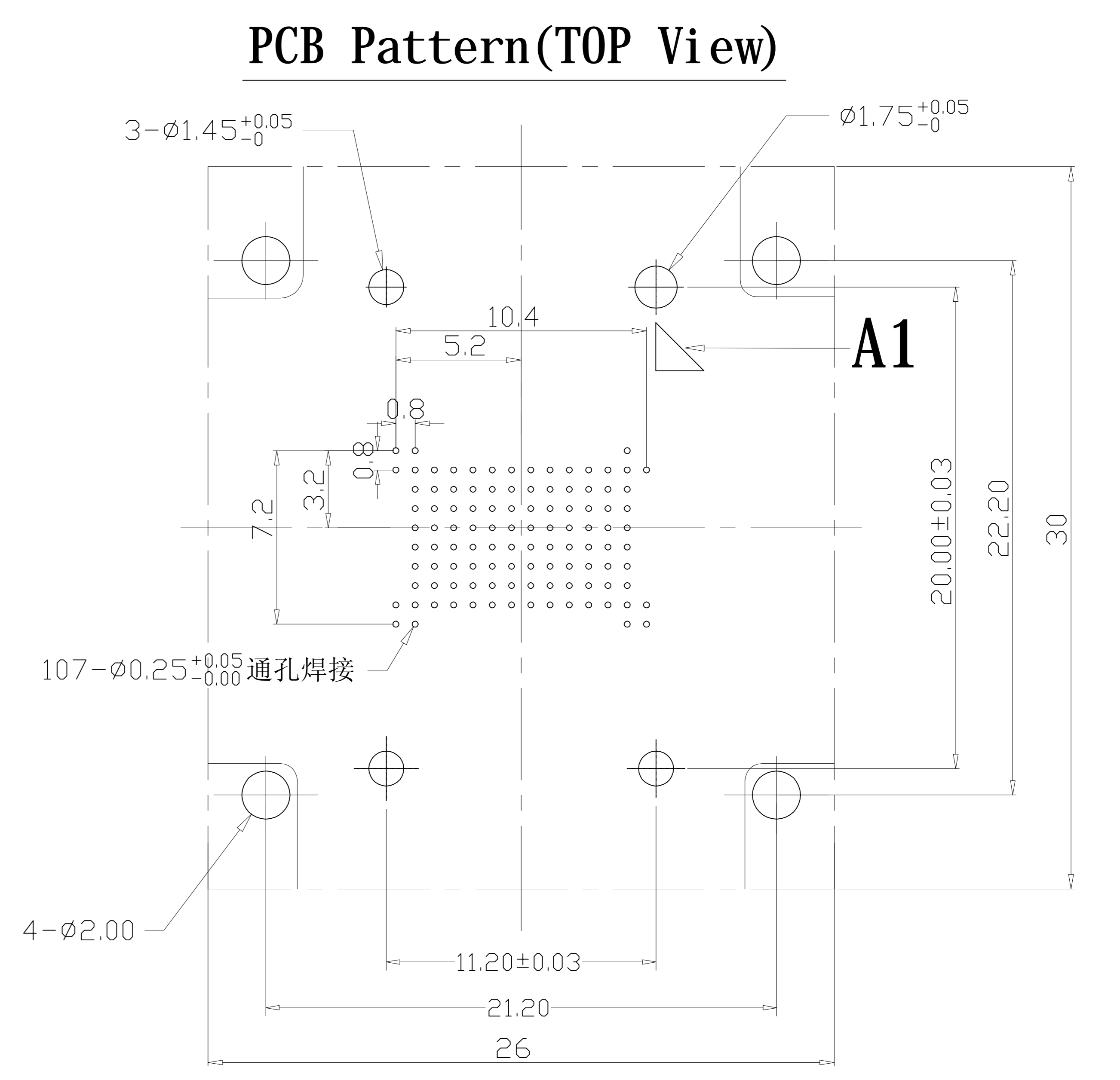
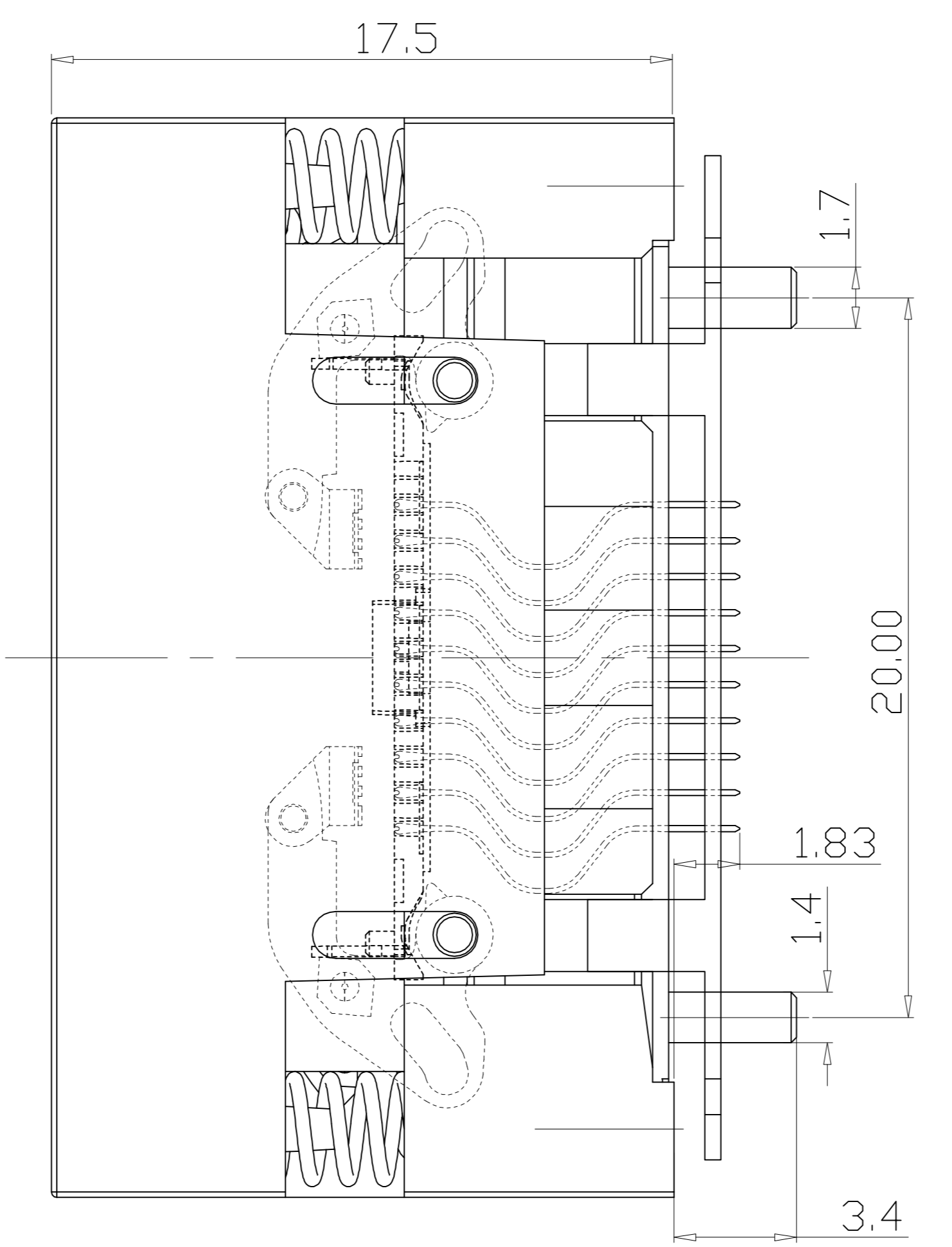
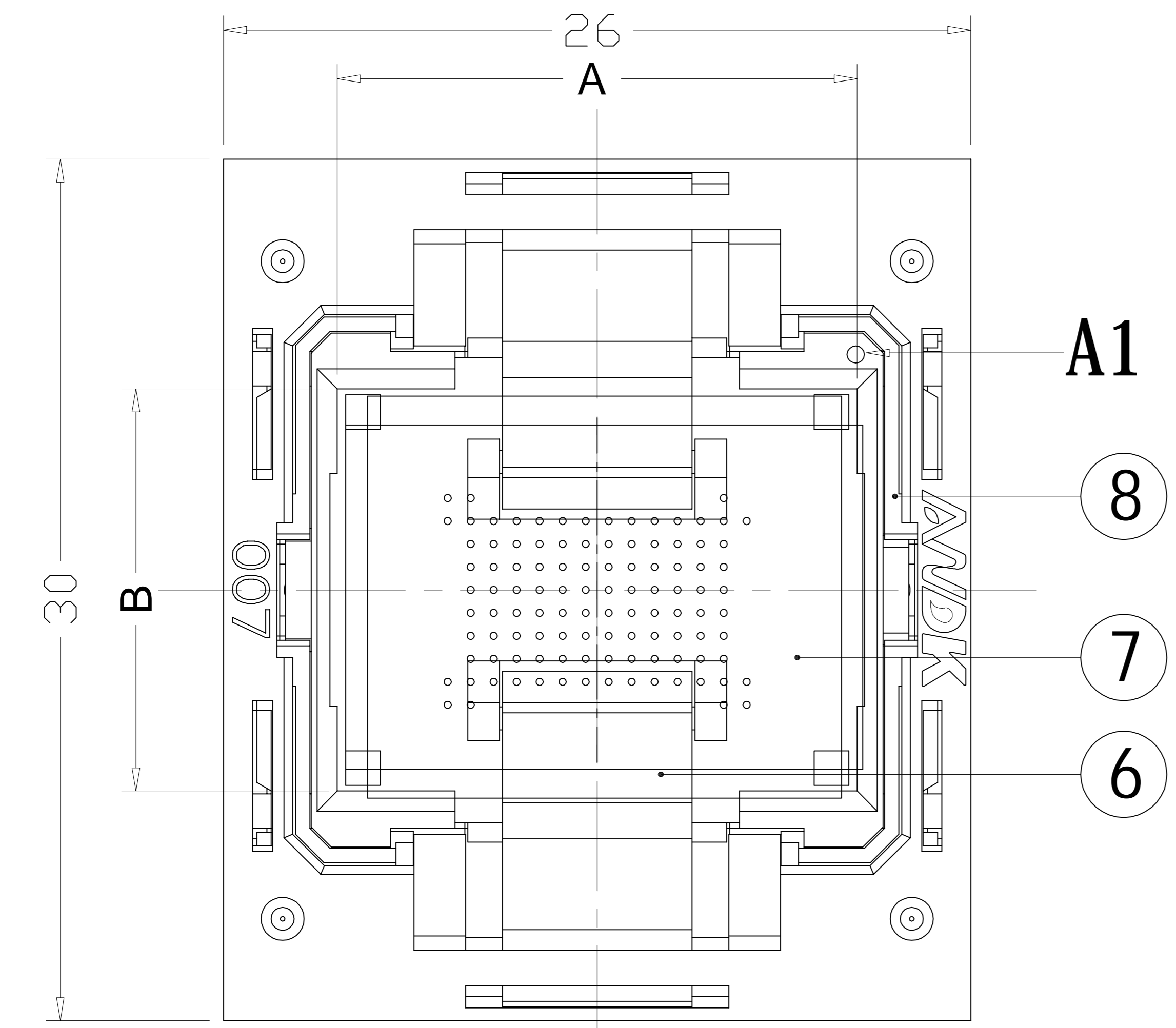
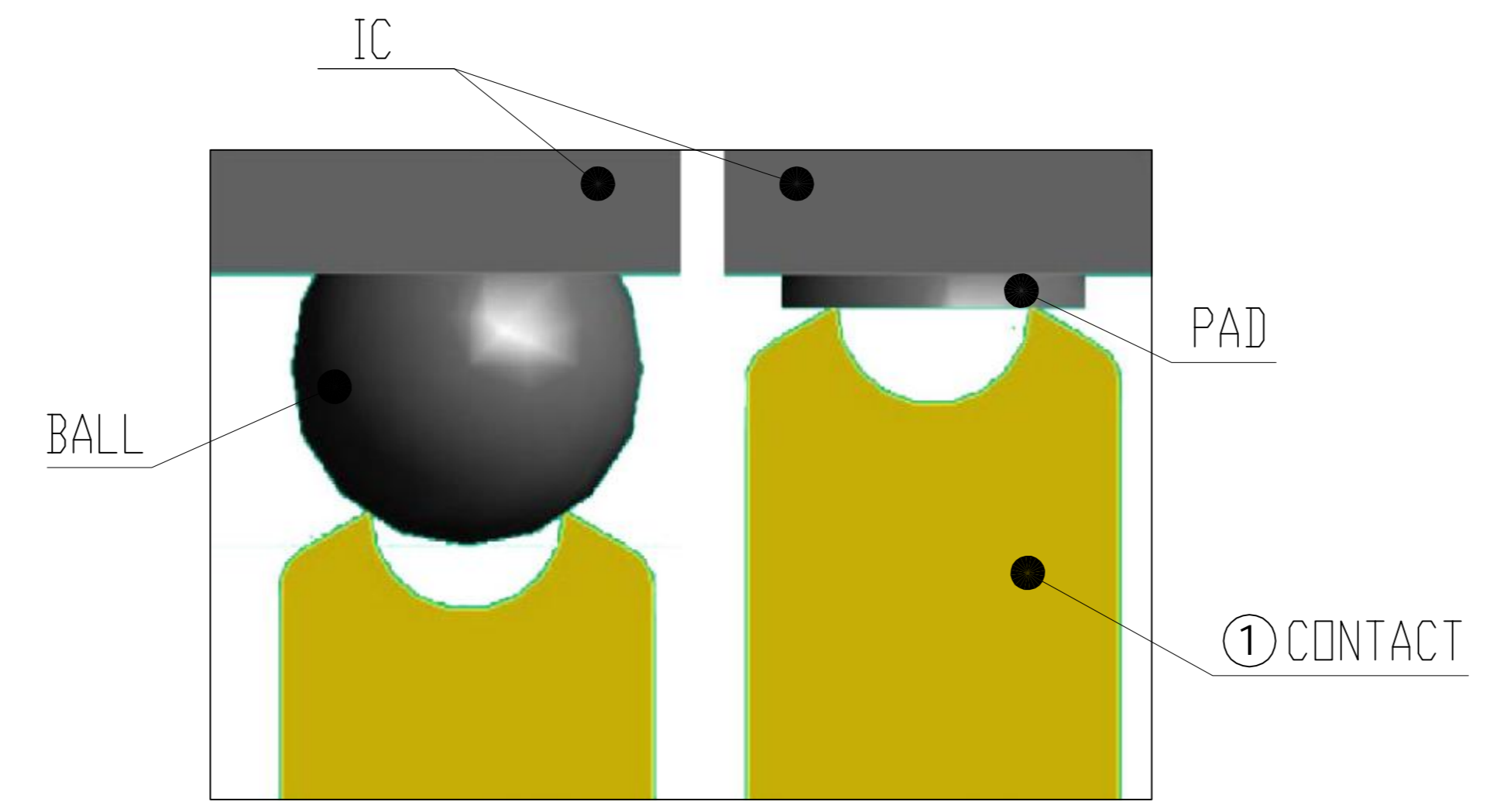
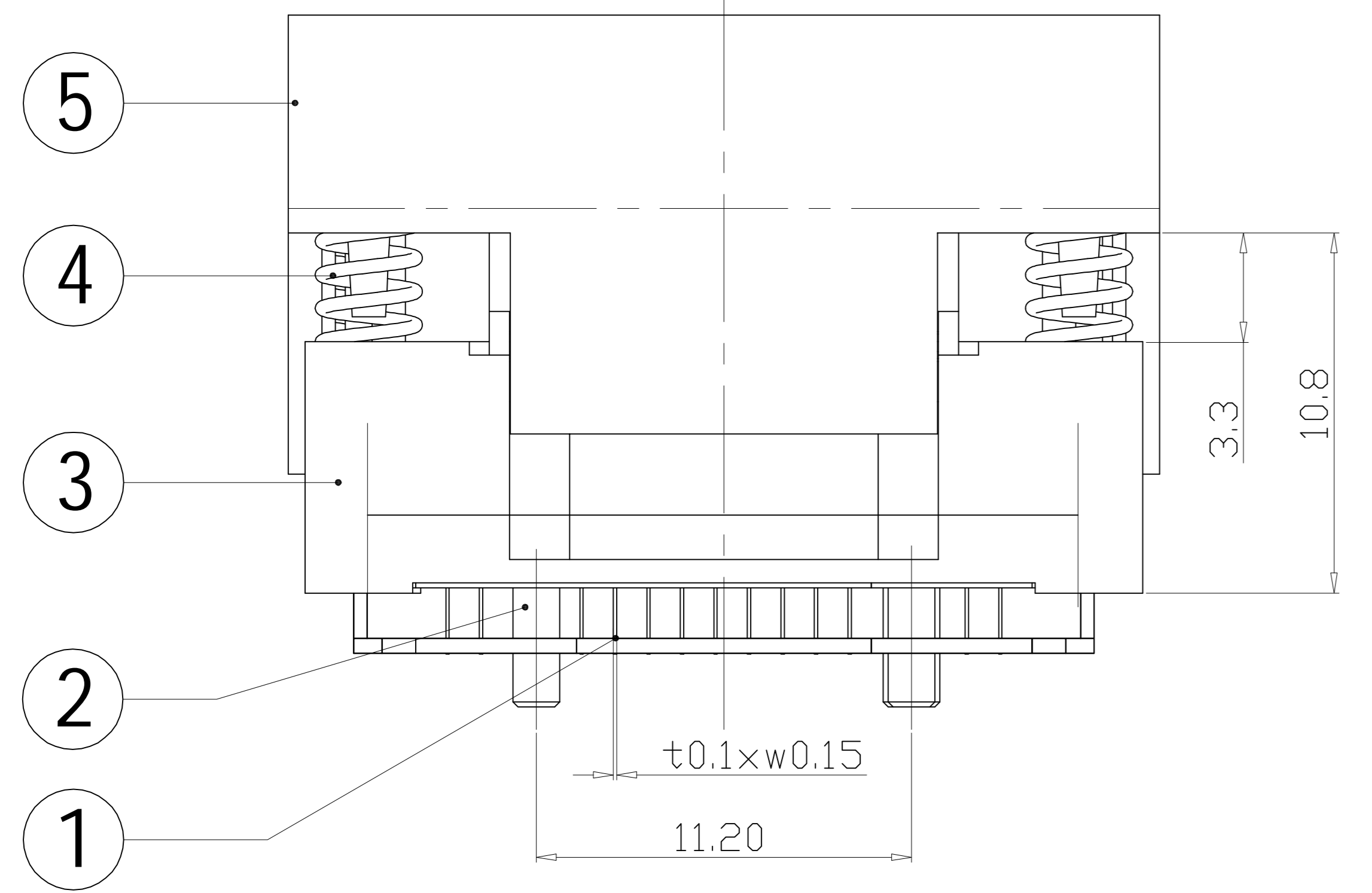
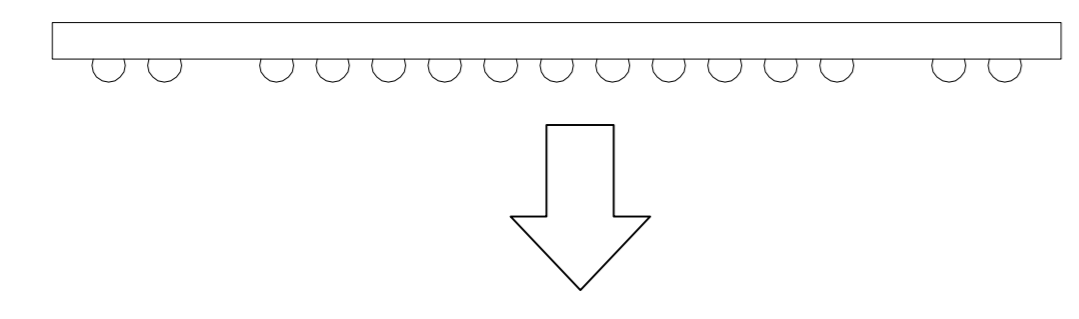


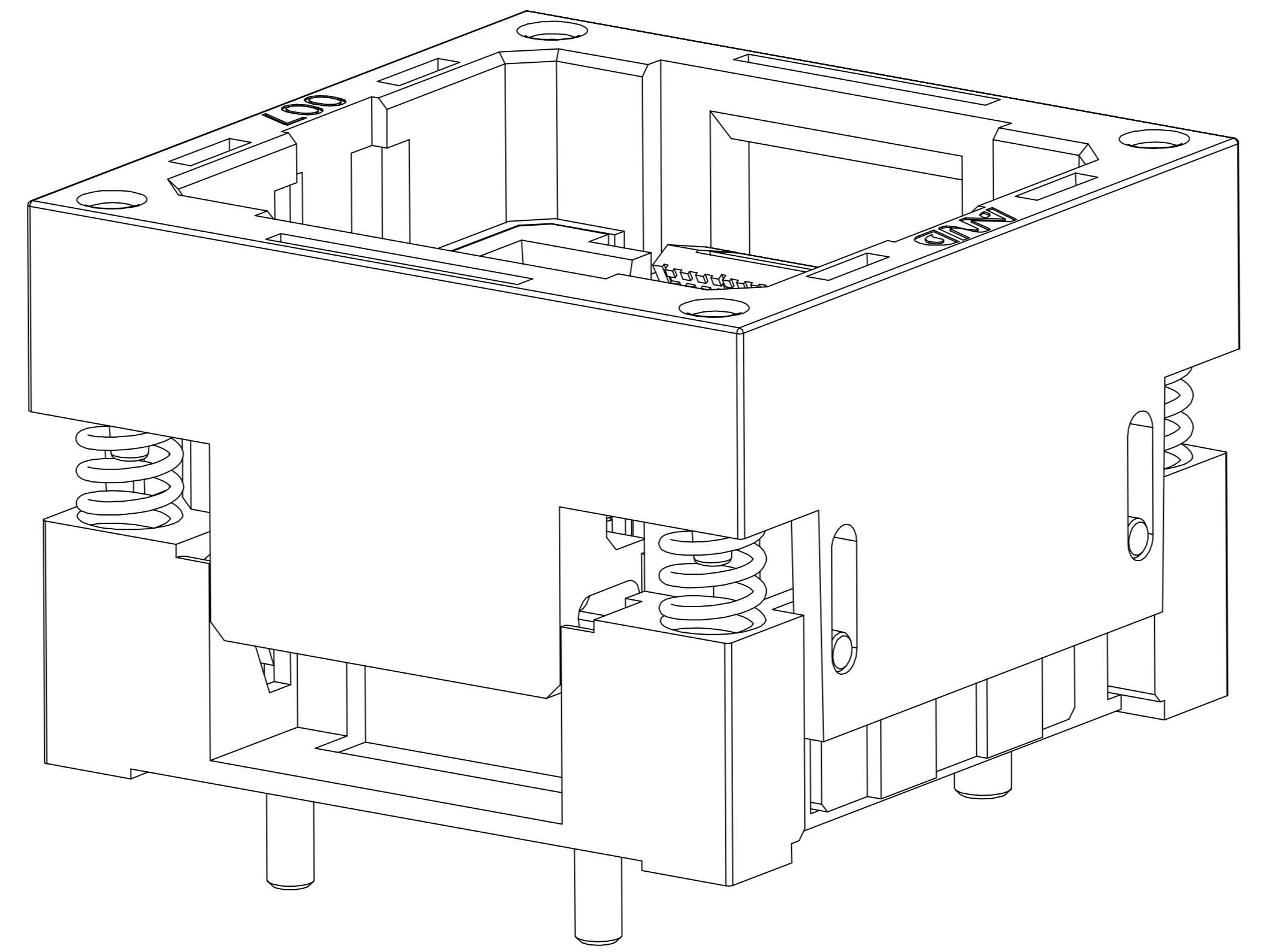
REVISION	DESCRIPTION	CHECK	APP	DATE	REV. NOTICE. NO
1					
2					
3					



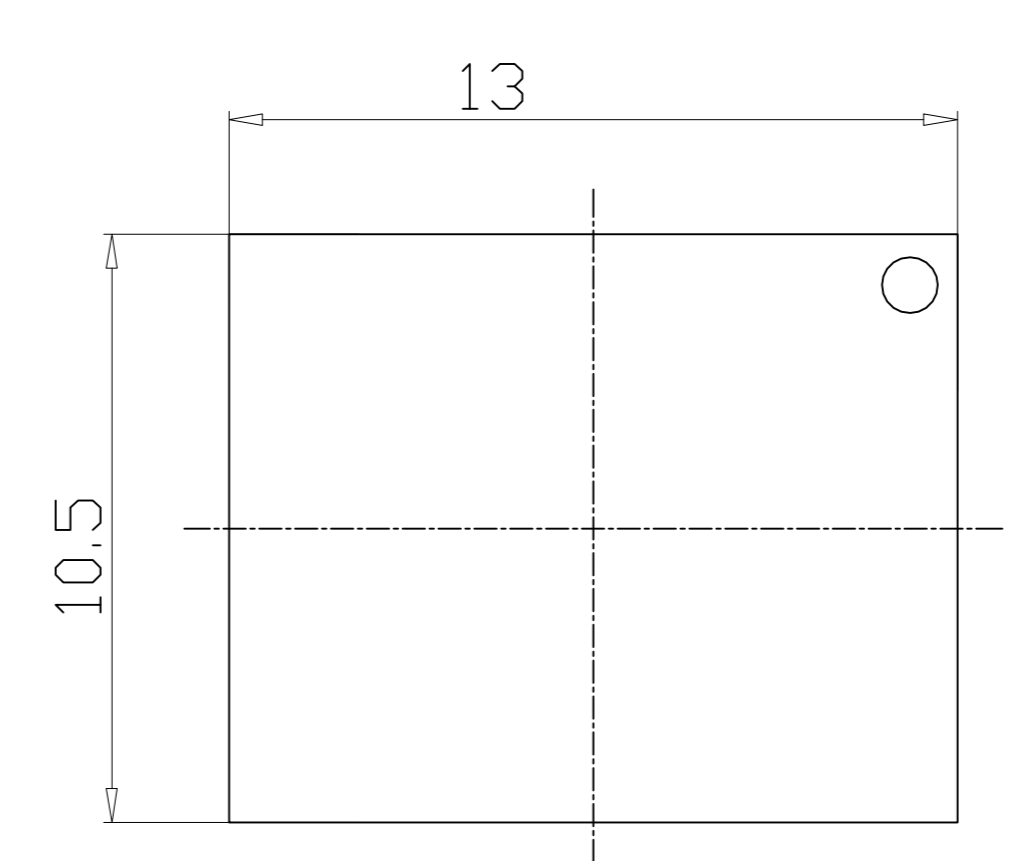
IC Loading Direction
(Center In)



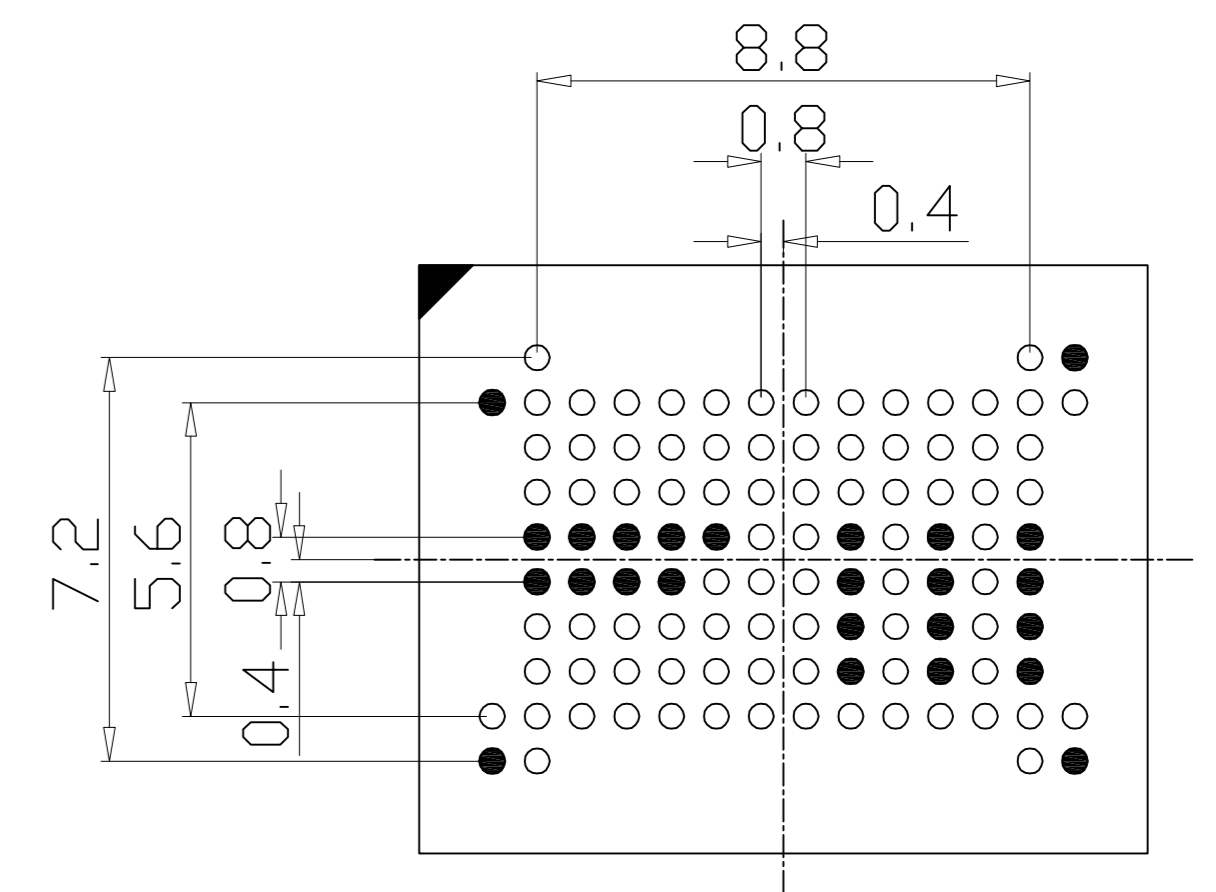
CONTACT TIP DETAIL



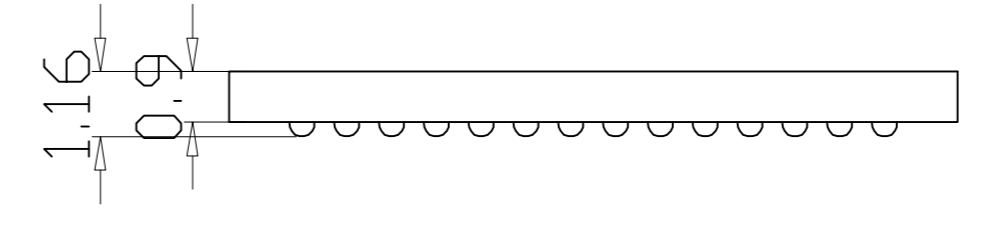
Applicable IC



TOP VIEW



BOTTOM VIEW



SIDE VIEW

PERFORMANCE

1. Insulation Resistance: 1000MΩ Min.At DC 500V
2. Dielectric Withstanding Voltage For 1 Minute At AC 700V
3. Contact Resistance 30mΩ MAX. at 10mA and 20mV MAX.(Initial)
4. Current Rating: 1A max.
5. Operation Temperature -65°C ~+175°C
6. Life Span 25,000 Times (Mechanical)
7. Testing chips with balls of different size or superficial oxidation,even if no ball

No	Part Number	Name	Material	Q/ty	Note
8	310-048-D105D	IC GUIDE	PEI/PES	2	BLACK
7	310-048-C105D	SLIDER	PEI/PES	1	BLACK
6	310-048-C105D	IC HOLDER	PEI/PES	2	BLACK
5	310-048-B105D	COVER	PEI/PES	1	BLACK
4	20-B-4505B	SPRING	SUS	4	FOR COVER
3	310-048-A105D	BASE	PEI/PES	1	BLACK
2	310-048-F105D	LOCATOR	PEI/PES	3	BLACK
1	04-A-1705	CONTACT	BeCu	107	Au PLATING

TOLERANCE	PROJECTION	GENERAL TOLERANCES	SCALE:	DATE:
X. ± 0.50	DIMENSION: mm	±0.10	1:1	
X.X ± 0.25	APP:	A		
X.XX ± 0.10	CHECK:			
X.XXX ± 0.05	DEGK: ENG03			DATE: 20160311

TITLE	CLASS	DRW. NO
BGA107-0.8 SOCKET	BGA107-0.8-TP01NT	007-BGA-0.8-107-10.5X13-B-01