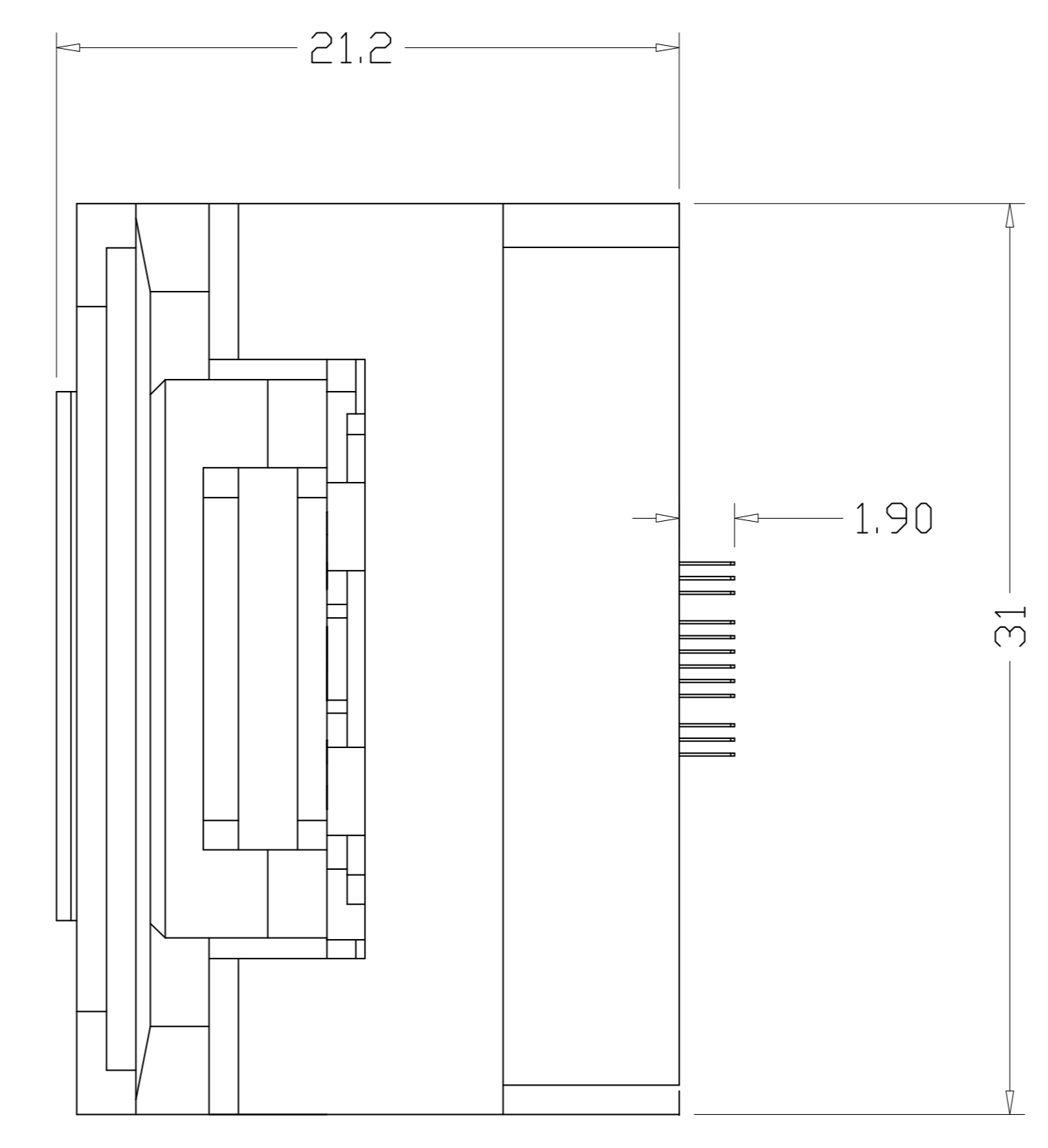
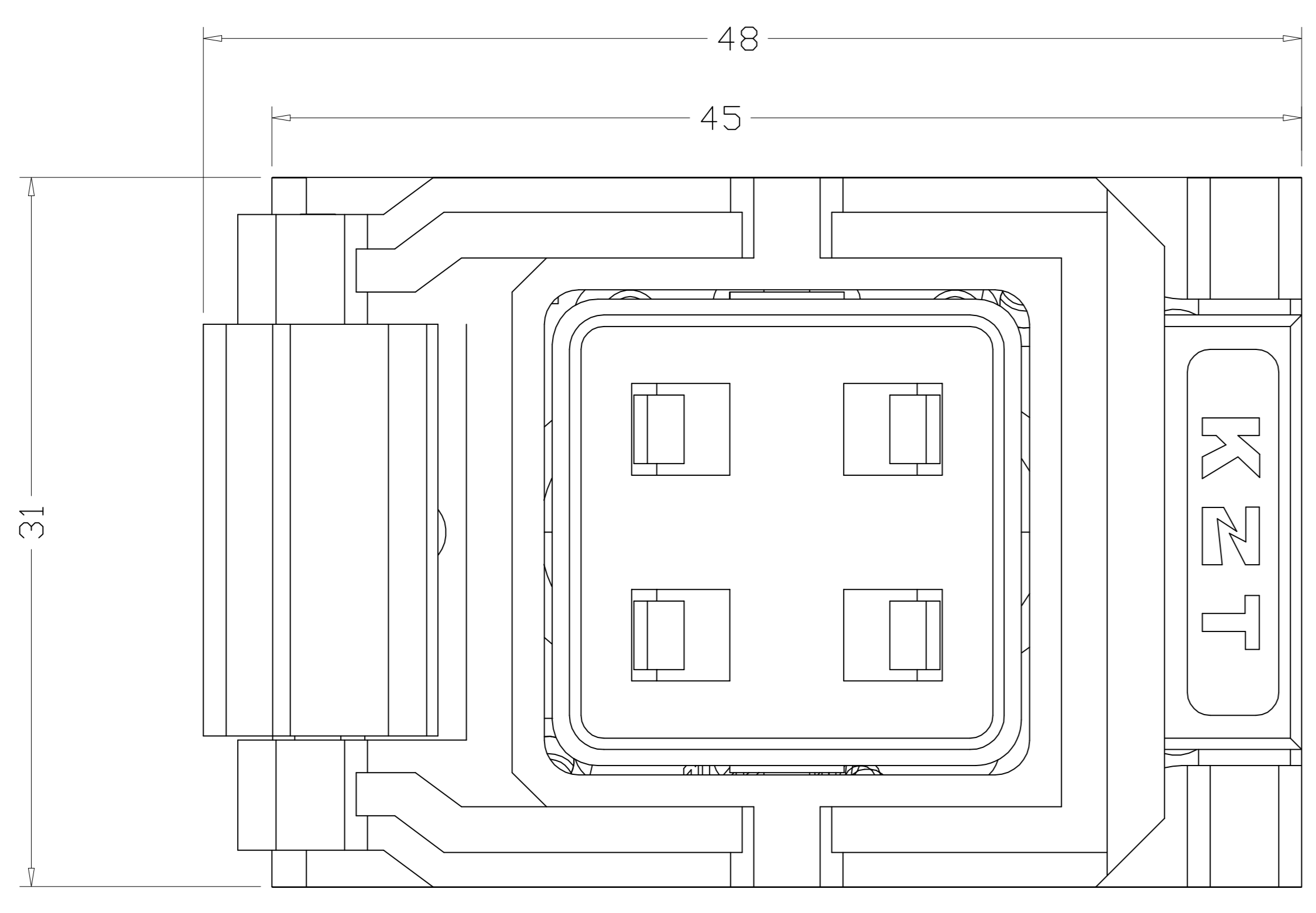
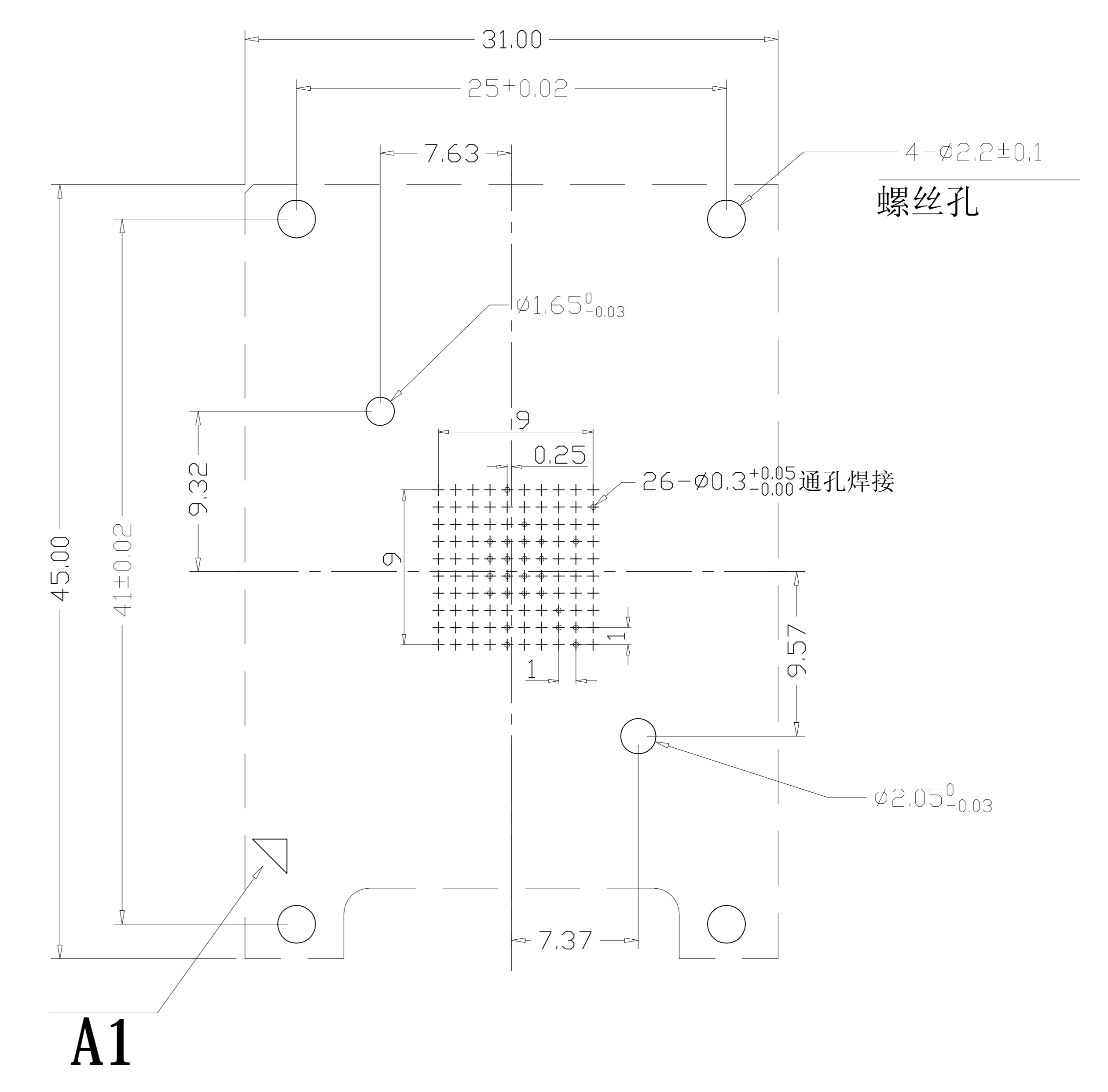


REVISION	DESCRIPTION	CHECK	APP	DATE	REV. NOTICE. NO
1					
2					
3					

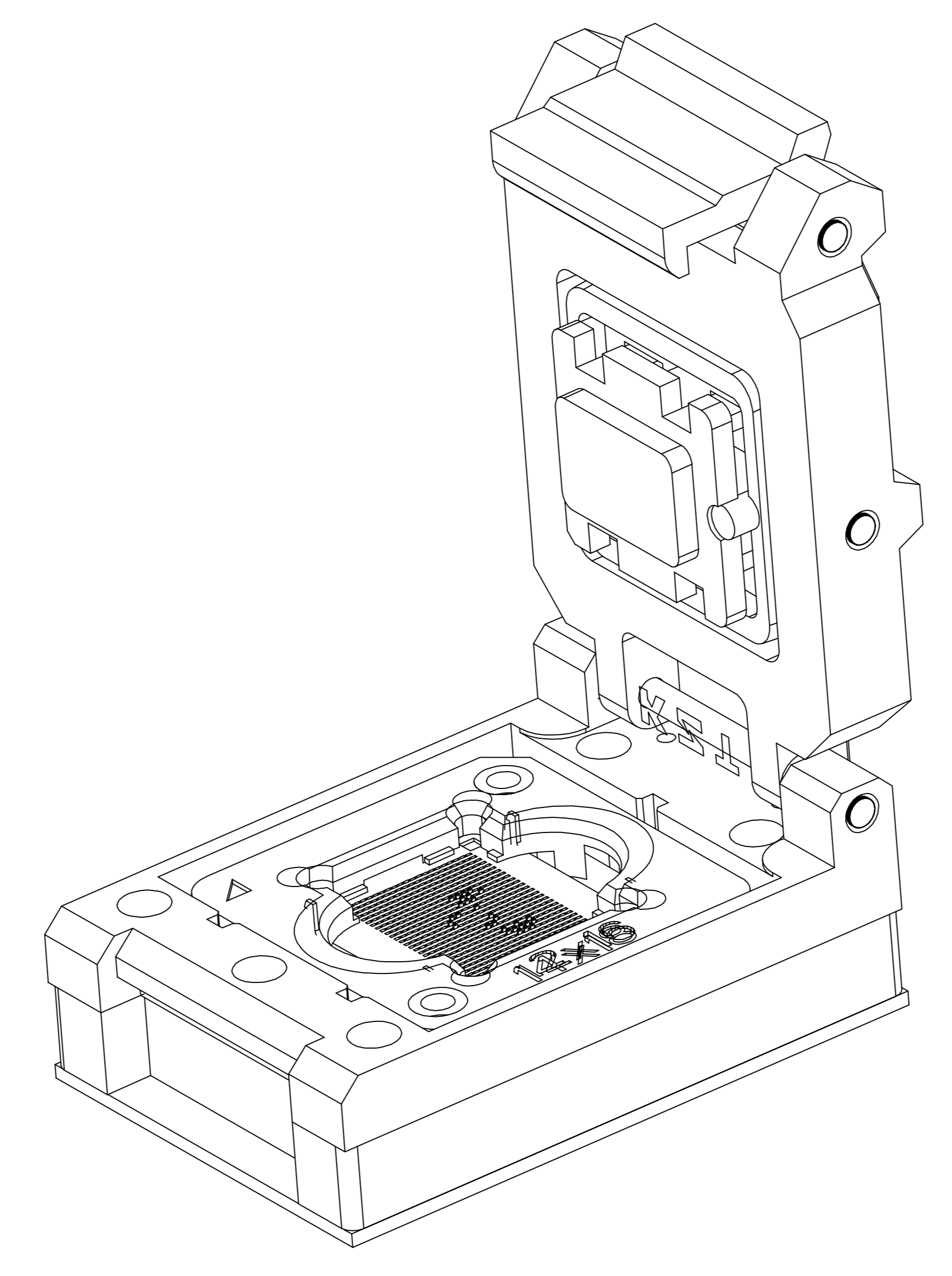
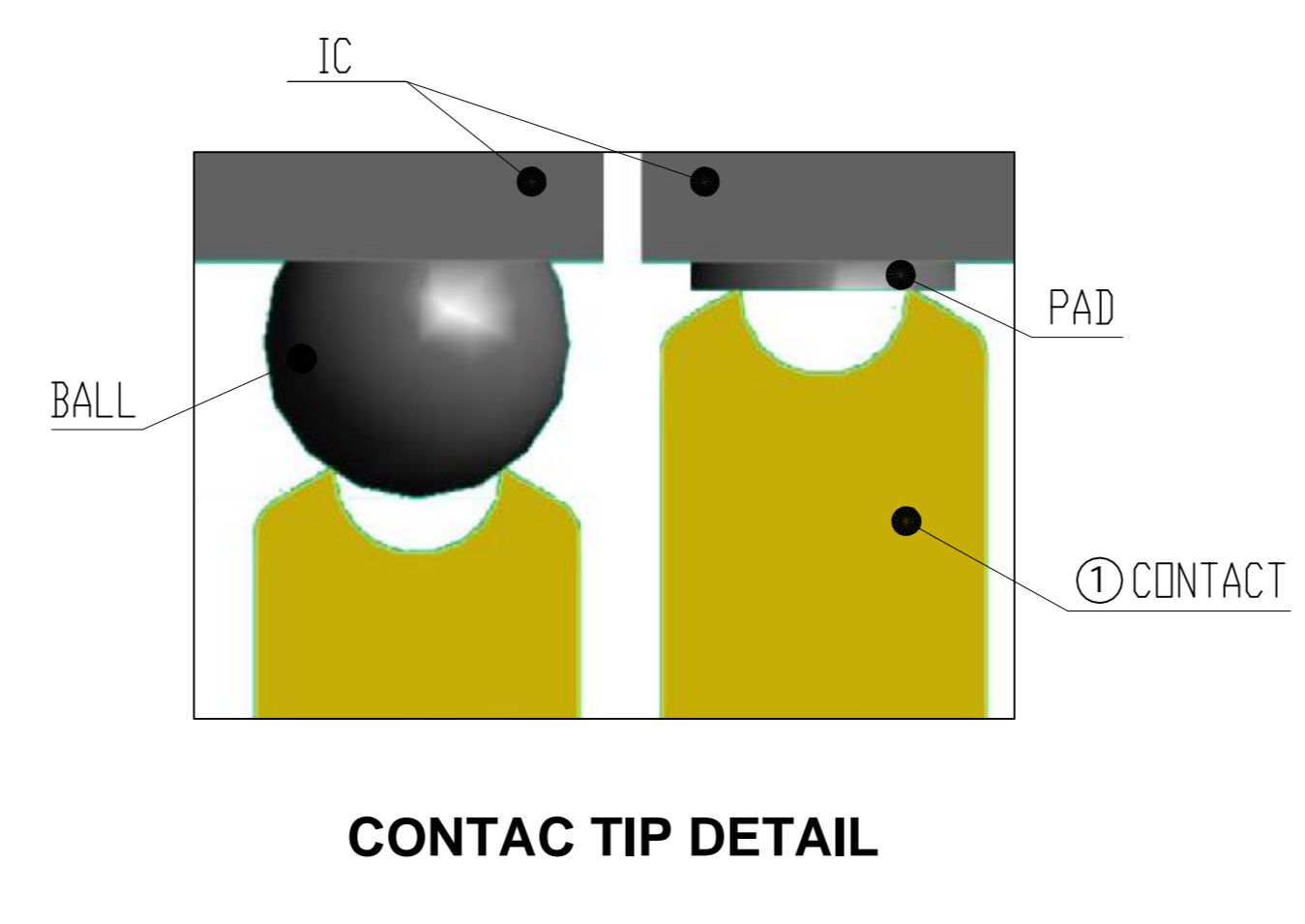


PCB PATTERN (TOP VIEW)

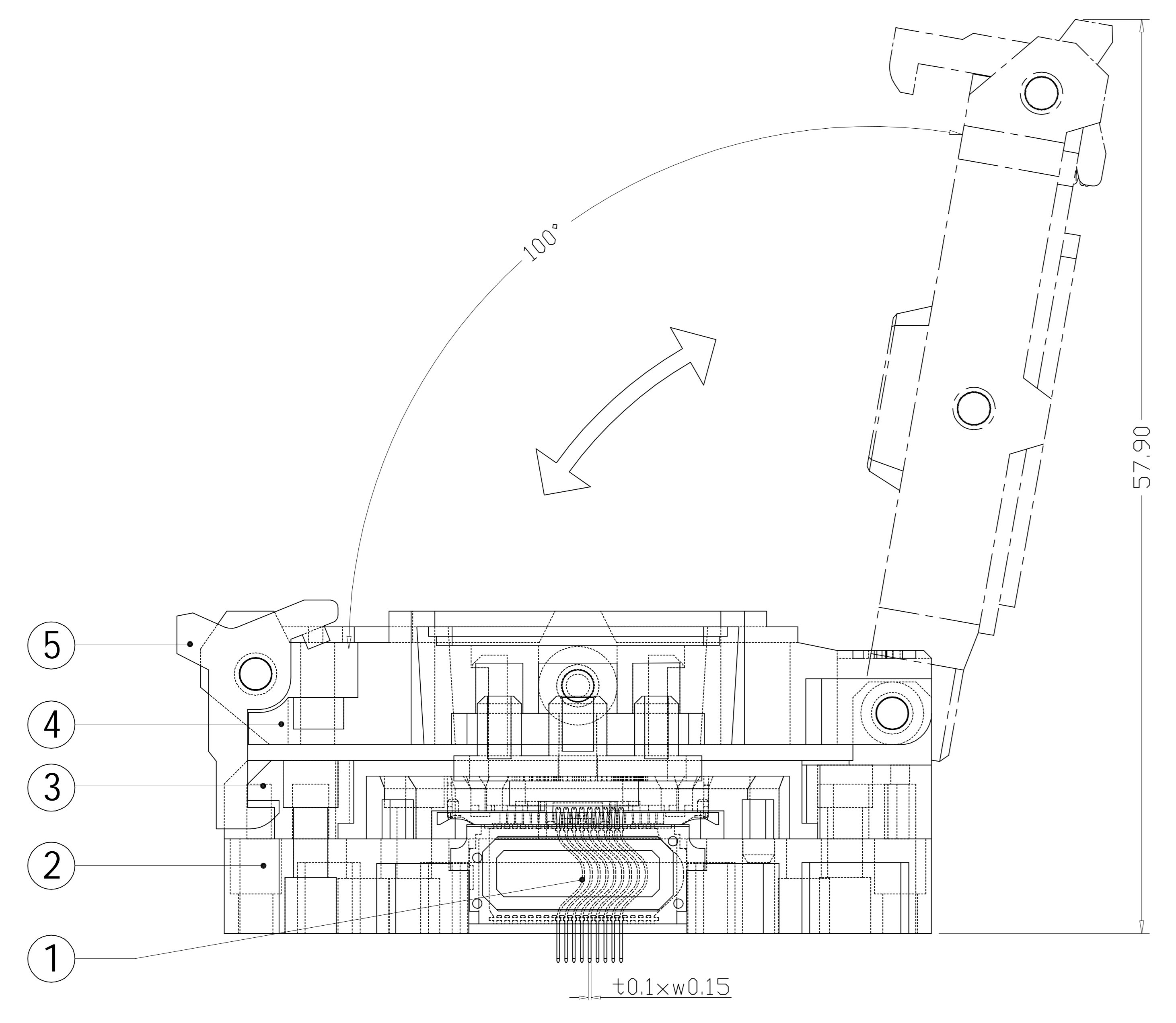
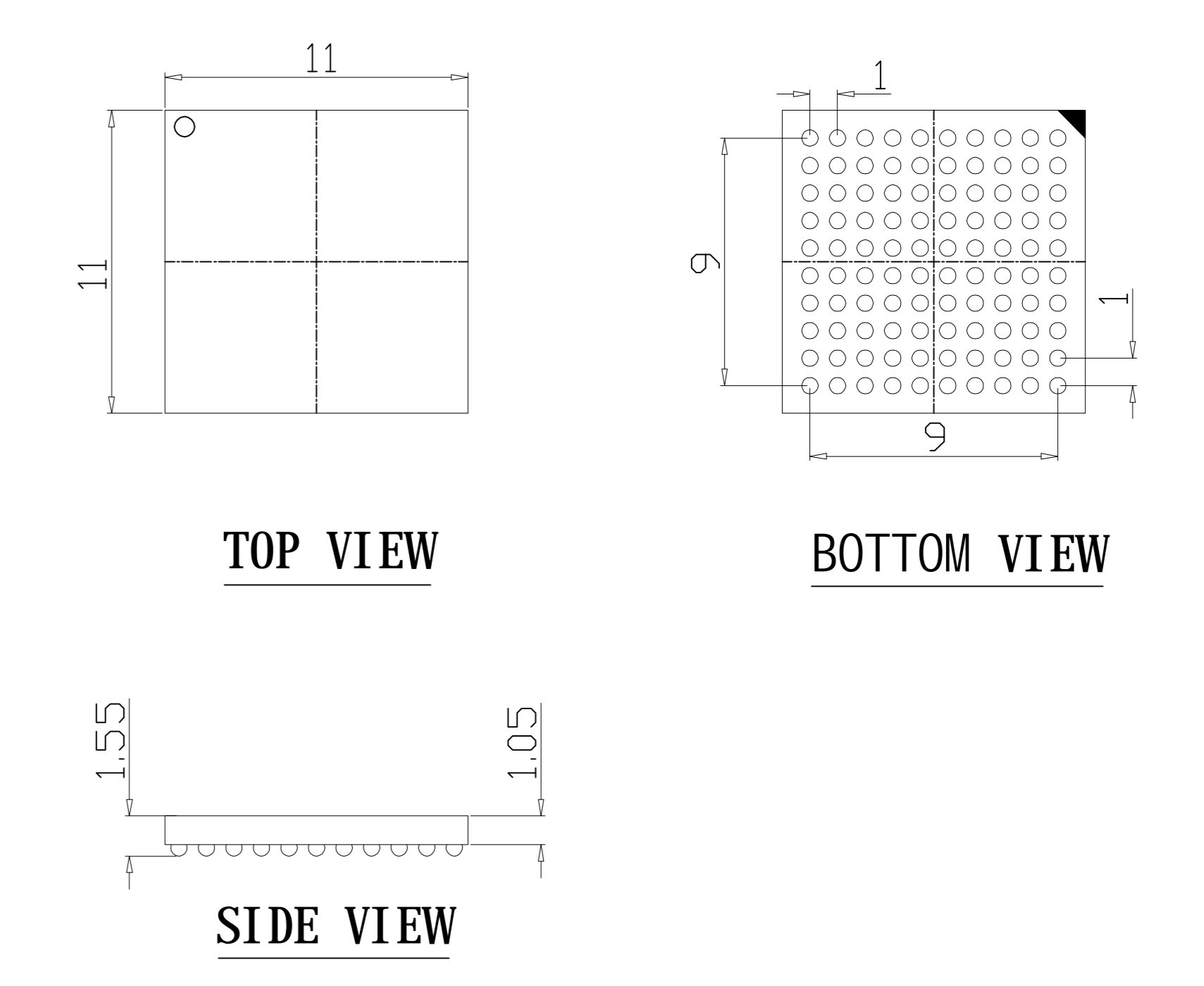


PERFORMANCE

- 1、Insulation Resistance: 1000MΩ Min.At DC 500V
- 2、Dielectric Withstanding Voltage For 1 Minute At AC 700V
- 3、Contact Resistance 30mΩ MAX. at 10mA and 20mV MAX.(Initial)
- 4、Current Rating: 1A max.
- 5、Operation Temperature -65°C ~+175°C
- 6、Life Span 25,000 Times (Mechanical)



APPL ICABLE IC



No	Part Number	Name	Material	Q/ty	Note
5	P0001-04	LATCH	PEI	1	BLACK
4	P0001-02	OUTER LID	PEI	1	BLACK
3	P0001-01	BASE	PEI	1	BLACK
2	P0001-00	TOP PLATE	PEI	1	BLACK
1	04-A-1705	CONTACT	BeCu	26	Au PLATING

TOLERANCE	PROJECTION	GENERAL TOLERANCES	±0.10	TITLE	BGA100 SOCKET
X. ± 0.50	DIMENSION: mm	REV	A	CLASS	BGA100-1.0-CP10NT
X.X ± 0.25	APP:	SCALE: 1:1	DATE:	DRW. NO	P2002-5100E-1201(11X11)
X.XX ± 0.10	CHECK:	DATE:	DATE:	 KaiZhiTong Micro Electronic L., ltd http://www.icsocket.net www.kzt.cc	
X.XXX ± 0.05	DEGK: ENG03	DATE: 20160311	DATE: 20160311		