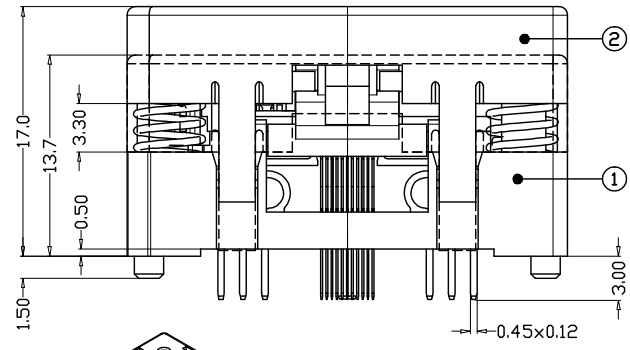
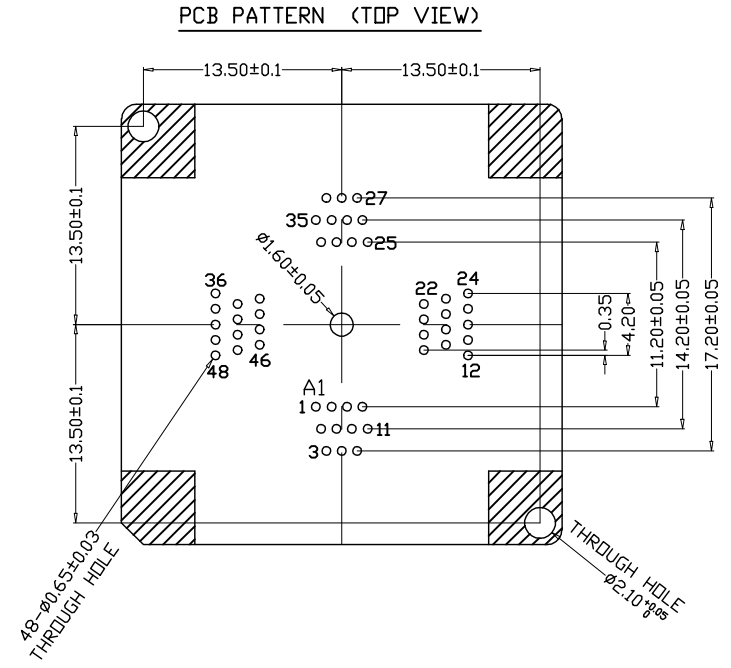
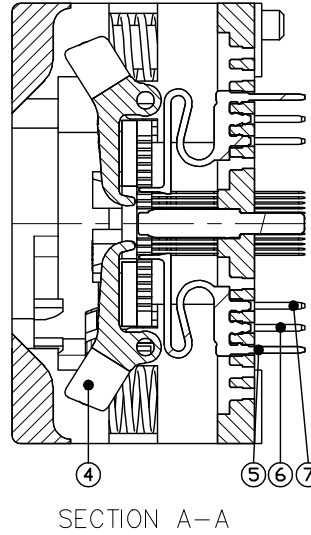
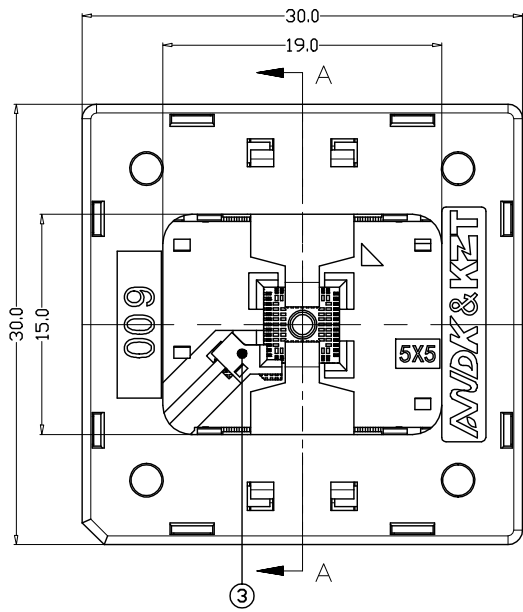
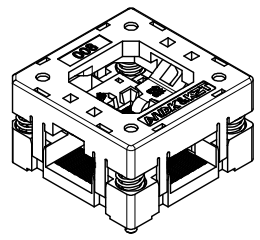
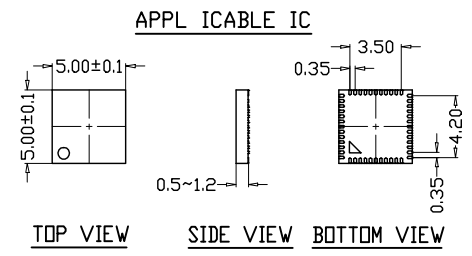


REVISION	DESCRIPTION	CHECK	APP	DATE	REV. NOTICE NO
△1					
△2					
△3					



**PERFORMANCE**

1. Insulation Resistance: 1000 MΩ or more At 500VDC
2. Dielectric withstanding Voltage: For 1 Minute At 700VAC
3. Contact resistance: 50 mΩ or less at 10 mA and 20 mV MAX (Initial)
4. Operation Temperature: -55°C~+155°C
5. Operation Force: 2.0±0.3kg
6. Contact Force: 20-28g Per Pin
7. Current Rating: 1A max.
8. Life Span: 100,000 Times (Mechanical)



No	Part Number	Name	Material	Q/ty	Note
7	QFN-009-F05-03	CONTACT	BeCu	16	Au PLATING
6	QFN-009-F04-02	CONTACT	BeCu	16	Au PLATING
5	QFN-009-F03-01	CONTACT	BeCu	16	Au PLATING
4	QFN-009-F02-001	BLOCK	LCP	2	WHITE
3	QFN-009-F01-001	BLOCK	LCP	1	WHITE
2	QFN-009-G01-001	COVER	PEI/PES/PPS	1	BLACK
1	QFN-009-U01-001	BASE	LCP	1	WHITE

TOLERANCES	PROJECTION	GENERAL TOLERANCES	±0.10	TITLE	QFN48-0.35-0091TGH(5x5)
X, ±0.50	DIMENSION: mm	REVA	SCALE: 1:1	CLASS	
X.X ±0.25	APP:	DATE:			
X.XX ±0.10	CHECK:	DATE:			
X.XXX±0.05	DEGK:	DATE:			

**ANDK & KZT**  
 Shenzhen KaiZhiTong Micro-electronics Technology Co.,Ltd  
<http://www.icsocket.net> [www.kzt.cc](http://www.kzt.cc)