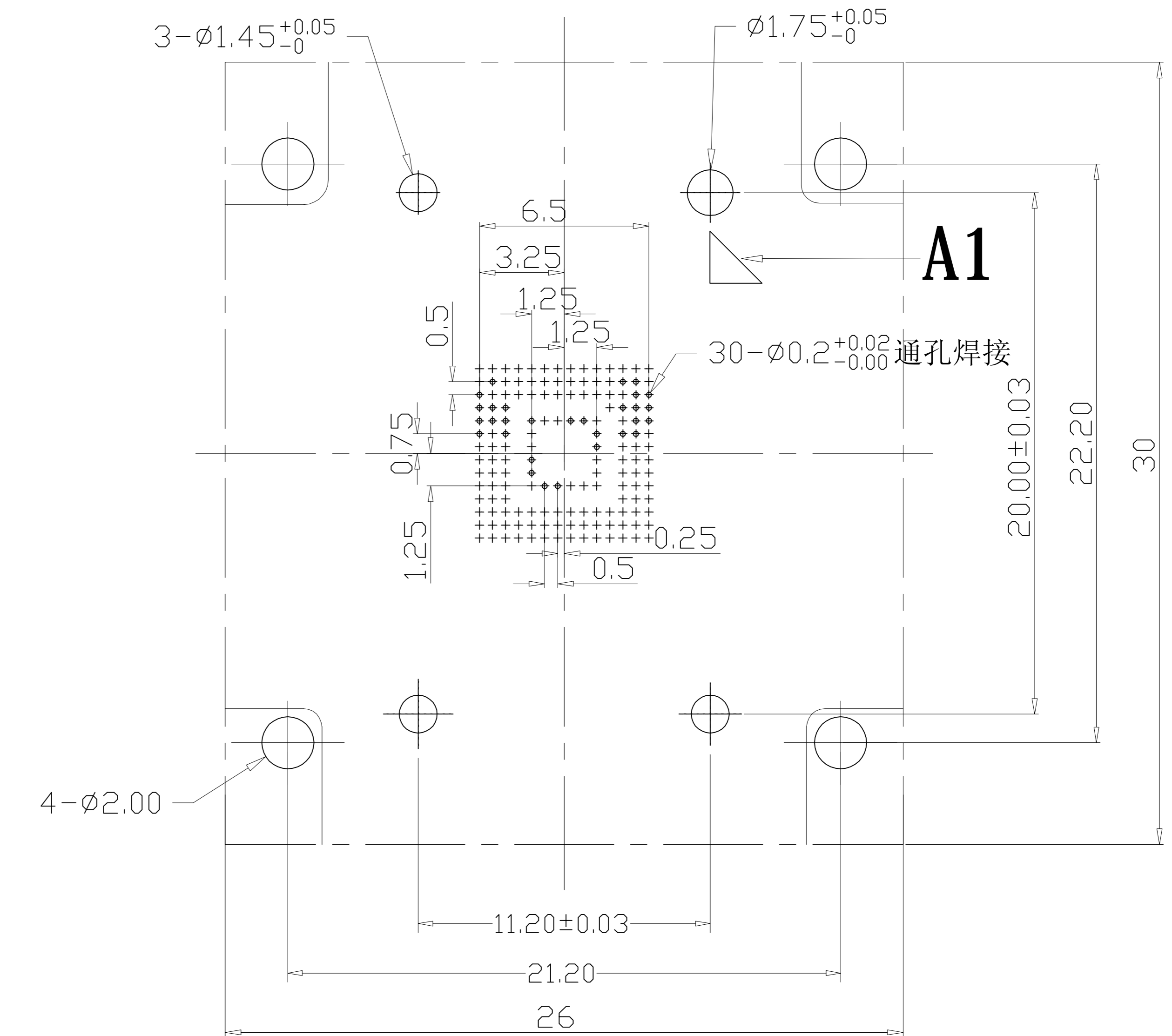
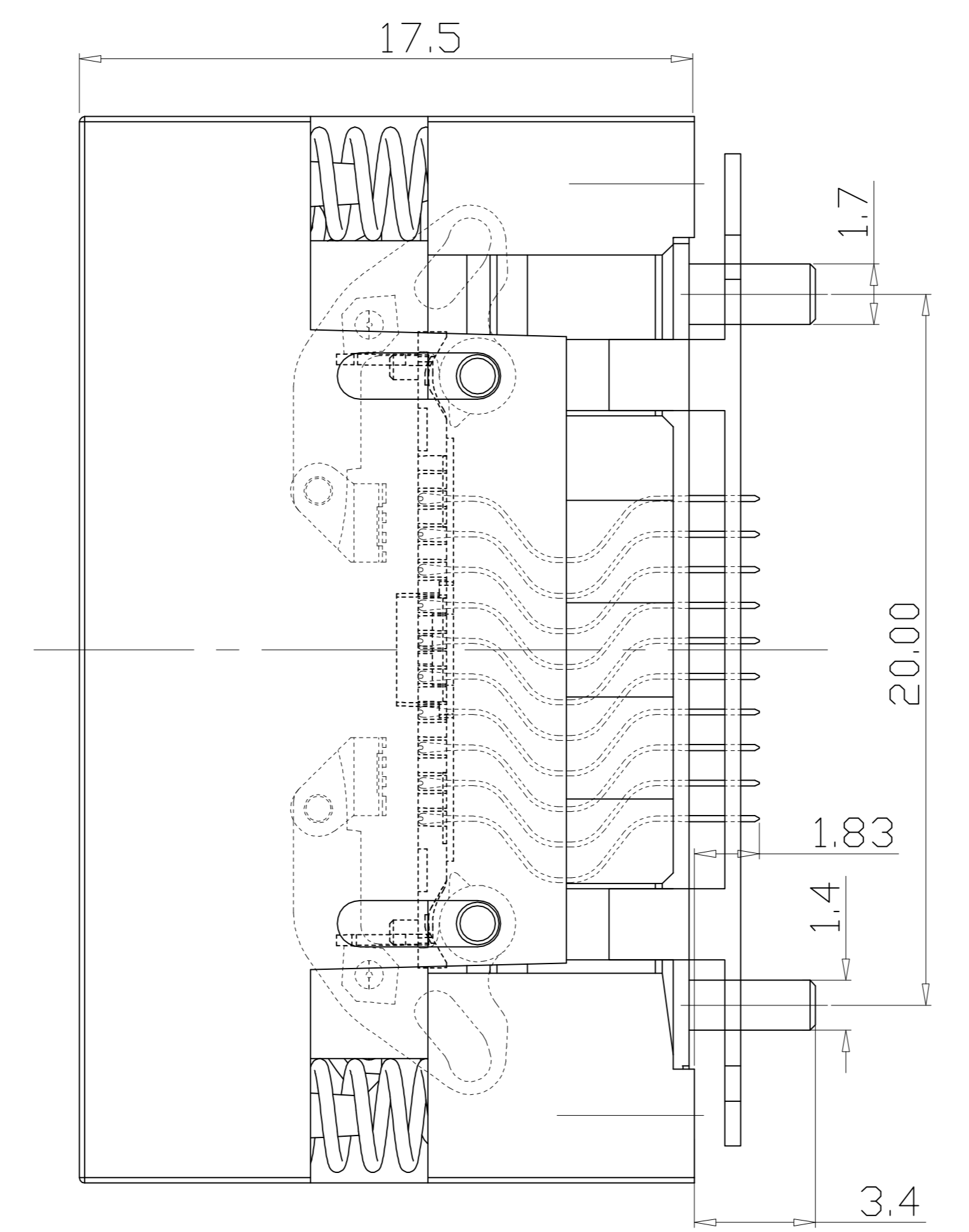
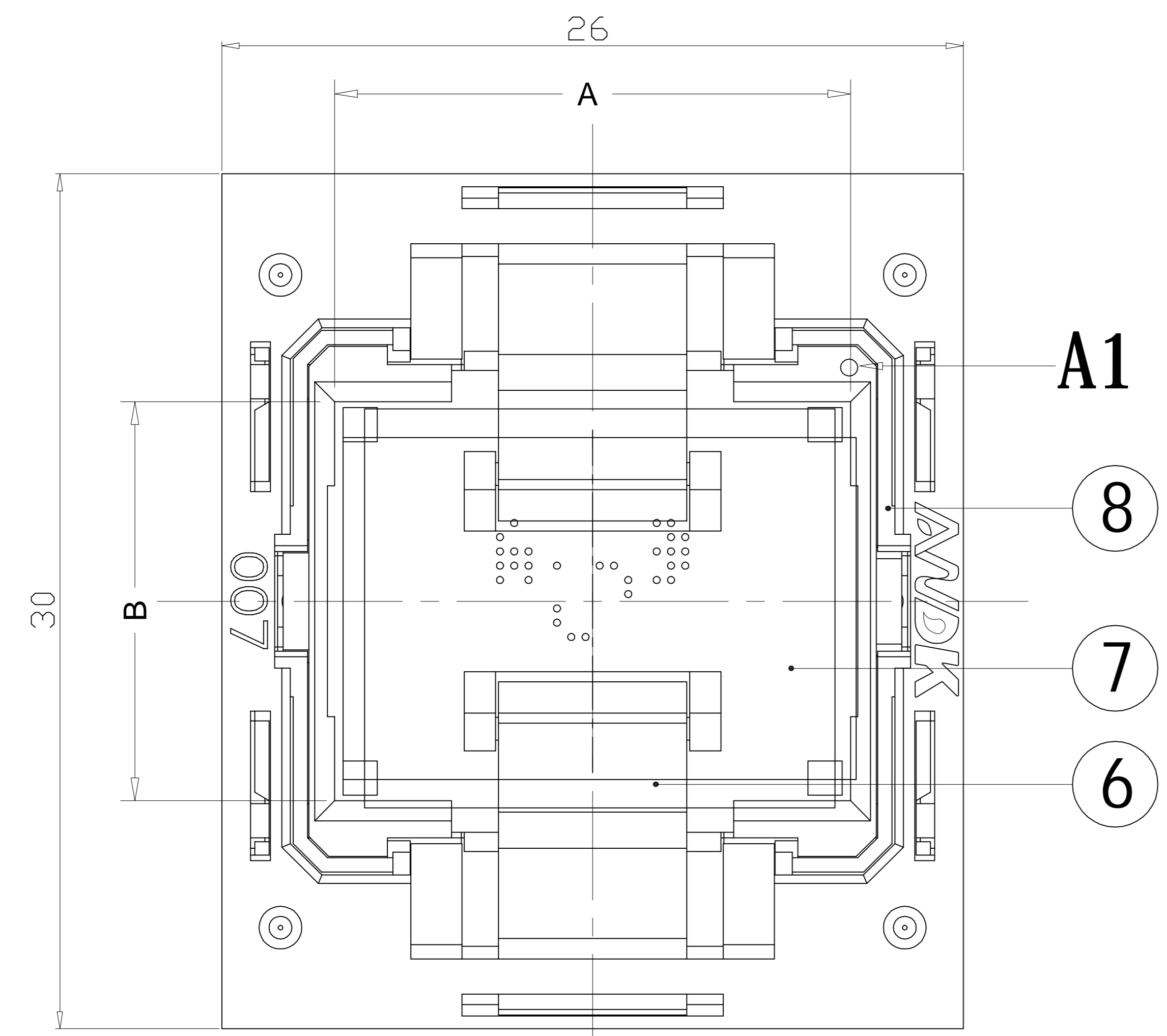
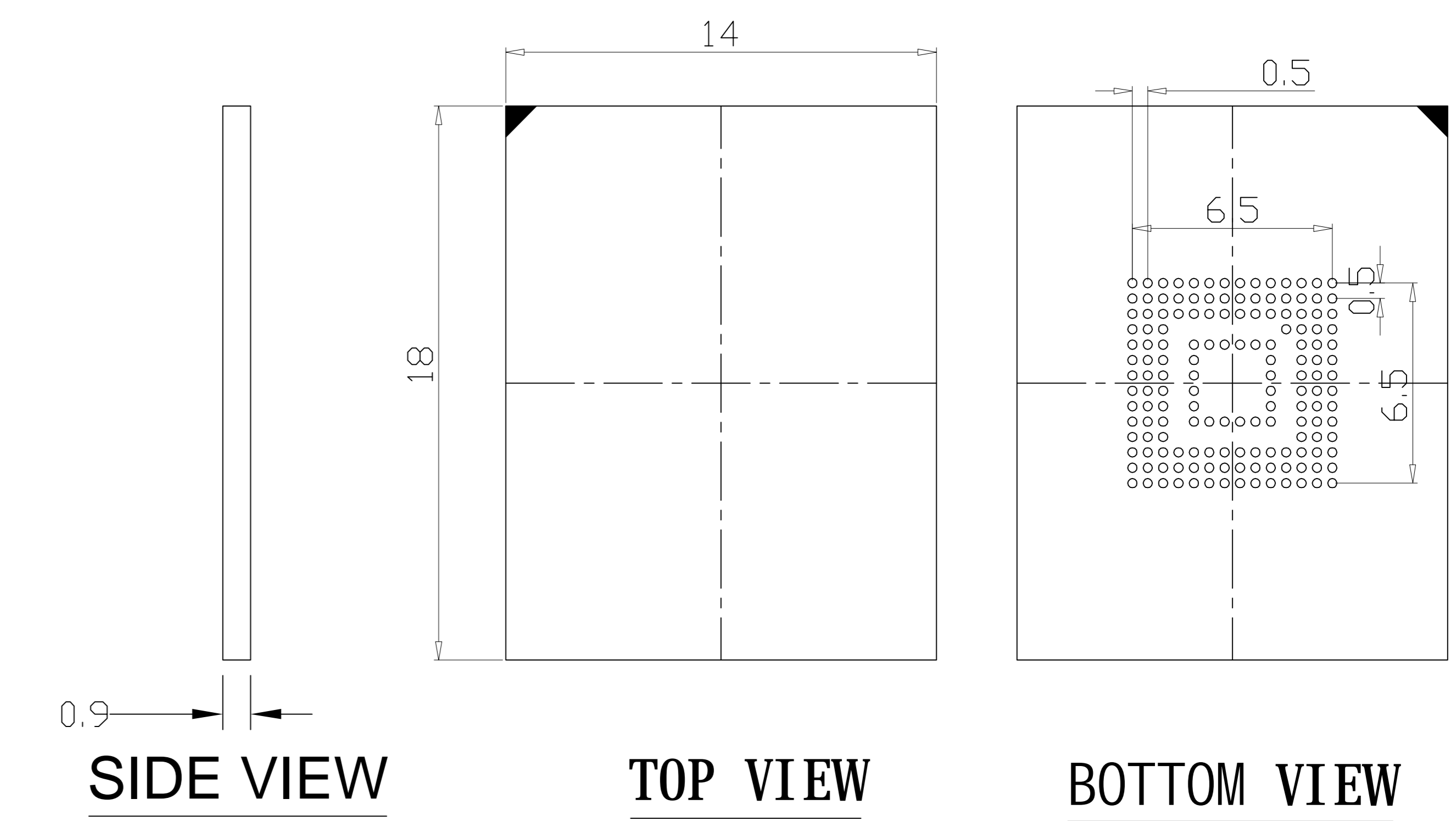


| REVISION | DESCRIPTION | CHECK | APP | DATE | REV. NOTICE. NO |
|----------|-------------|-------|-----|------|-----------------|
| △ 1 | | | | | |
| △ 2 | | | | | |
| △ 3 | | | | | |

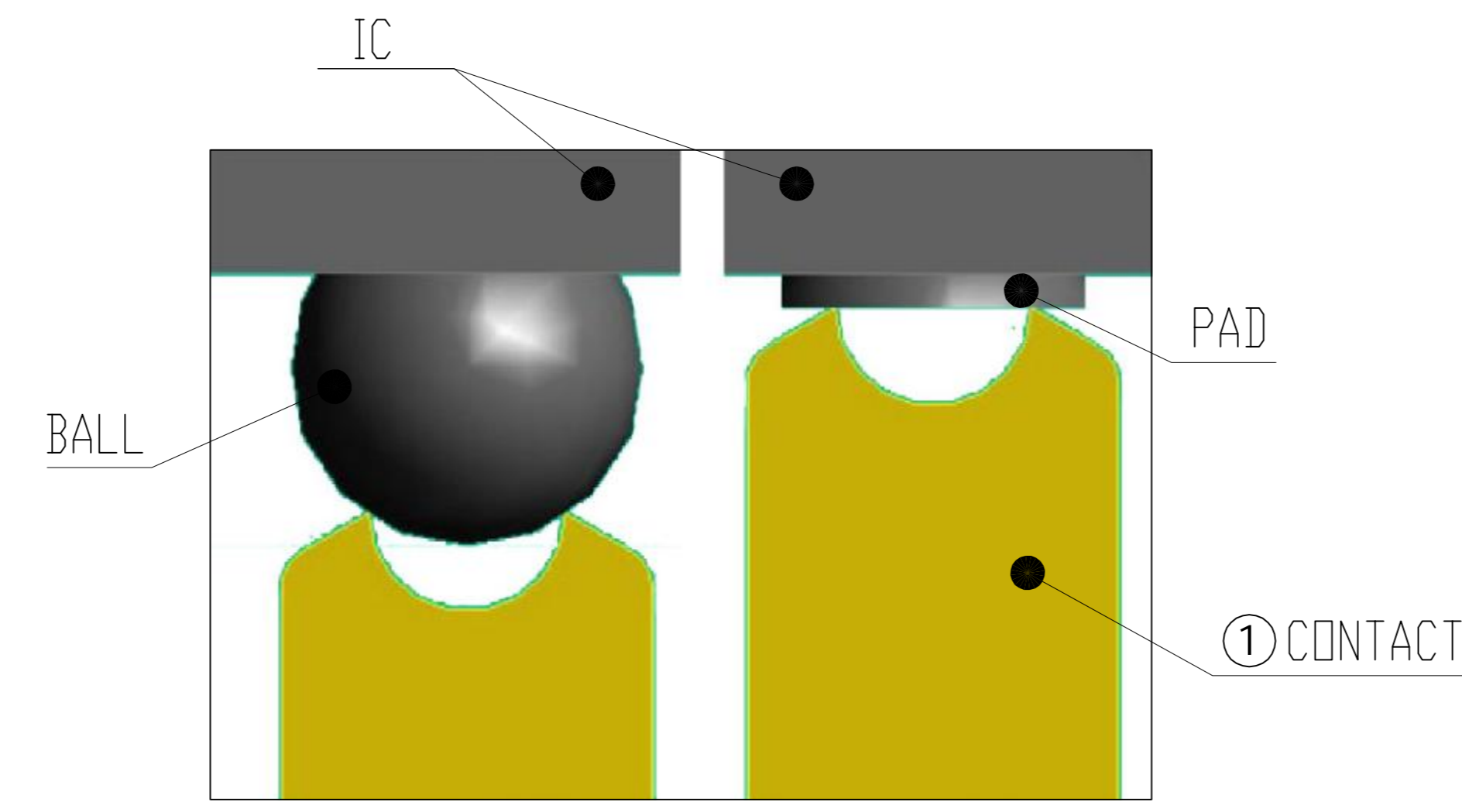
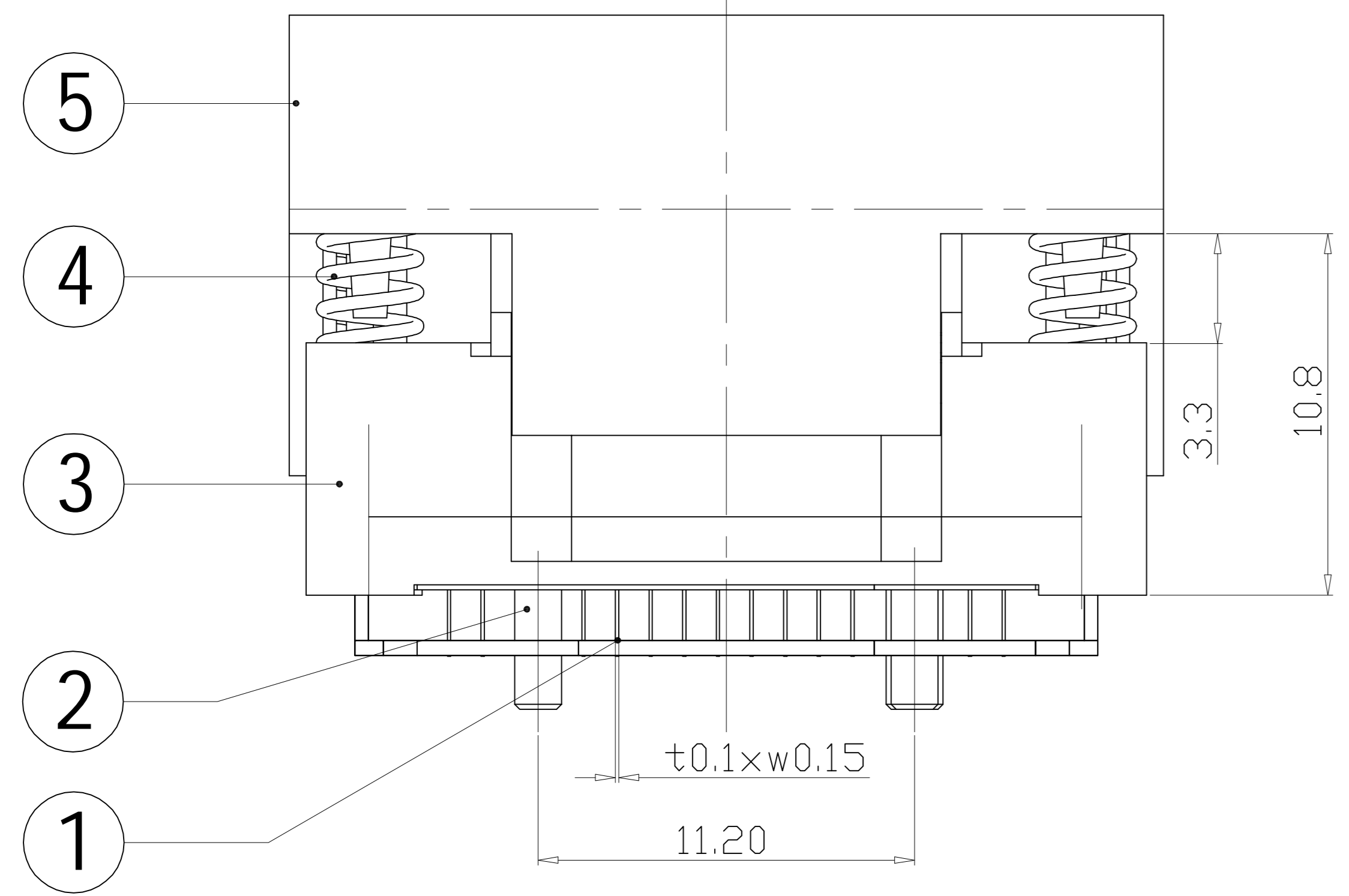
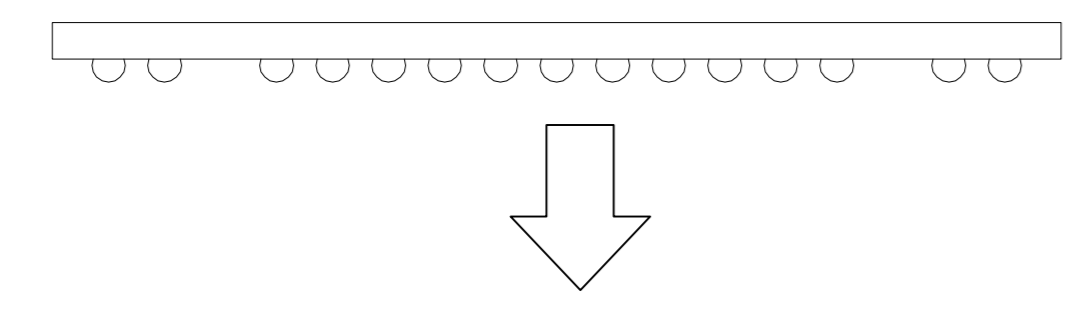
PCB Pattern(TOP View)



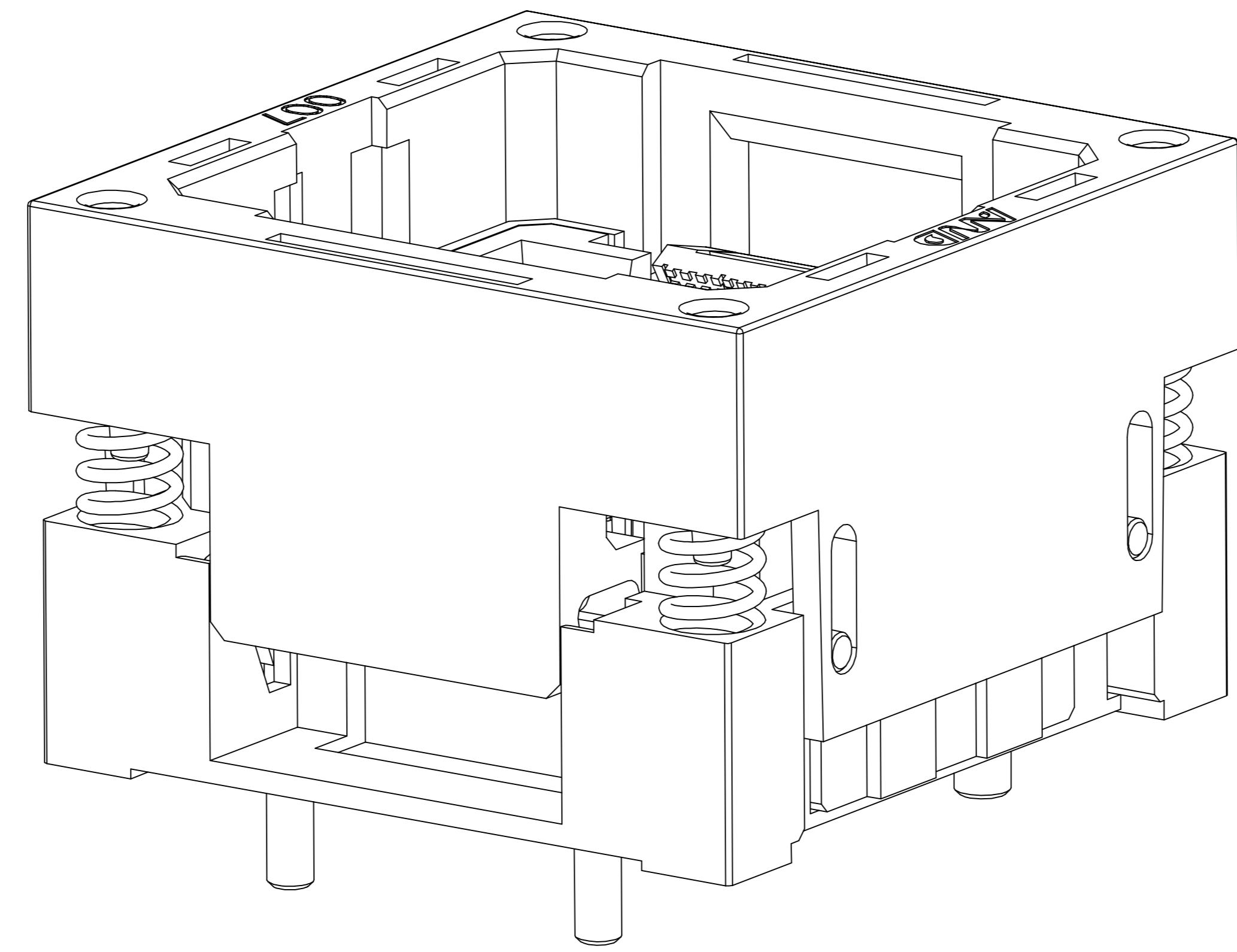
Applicable IC



IC Loading Direction
(Center In)



CONTACT TIP DETAIL



PERFORMANCE

1. Insulation Resistance: 1000MΩ Min.At DC 500V
2. Dielectric Withstanding Voltage For 1 Minute At AC 700V
3. Contact Resistance 30mΩ MAX. at 10mA and 20mV MAX.(Initial)
4. Current Rating: 1A max.
5. Operation Temperature -65°C ~+175°C
6. Life Span 25,000 Times (Mechanical)
7. Testing chips with balls of different size or superficial oxidation,even if no ball

| No | Part Number | Name | Material | Q/ty | Note |
|----|---------------|-----------|----------|------|------------|
| 8 | 310-048-D105D | IC GUIDE | PEI/PES | 2 | BLACK |
| 7 | 310-048-C105D | SLIDER | PEI/PES | 1 | BLACK |
| 6 | 310-048-C105D | IC HOLDER | PEI/PES | 2 | BLACK |
| 5 | 310-048-B105D | COVER | PEI/PES | 1 | BLACK |
| 4 | 20-B-4505B | SPRING | SUS | 4 | FOR COVER |
| 3 | 310-048-A105D | BASE | PEI/PES | 1 | BLACK |
| 2 | 310-048-F105D | LOCATOR | PEI/PES | 3 | BLACK |
| 1 | 04-A-1705 | CONTACT | BeCu | 30 | Au PLATING |

| TOLERANCE | PROJECTION | GENERAL TOLERANCES | REVISION | TITLE |
|--------------|---------------|--------------------|----------------|------------------------|
| X. ± 0.50 | DIMENSION: mm | ±0.10 | A | eMMC153-0.5 SOCKET |
| X.X ± 0.25 | APP: | SCALE: 1:1 | DATE: | eMMC30(153)-0.5-TP01NT |
| X.XX ± 0.10 | CHECK: | DATE: | DATE: | CLASS |
| X.XXX ± 0.05 | DEGK: ENG03 | DATE: 20160311 | DATE: 20160311 | DRW. NO |

