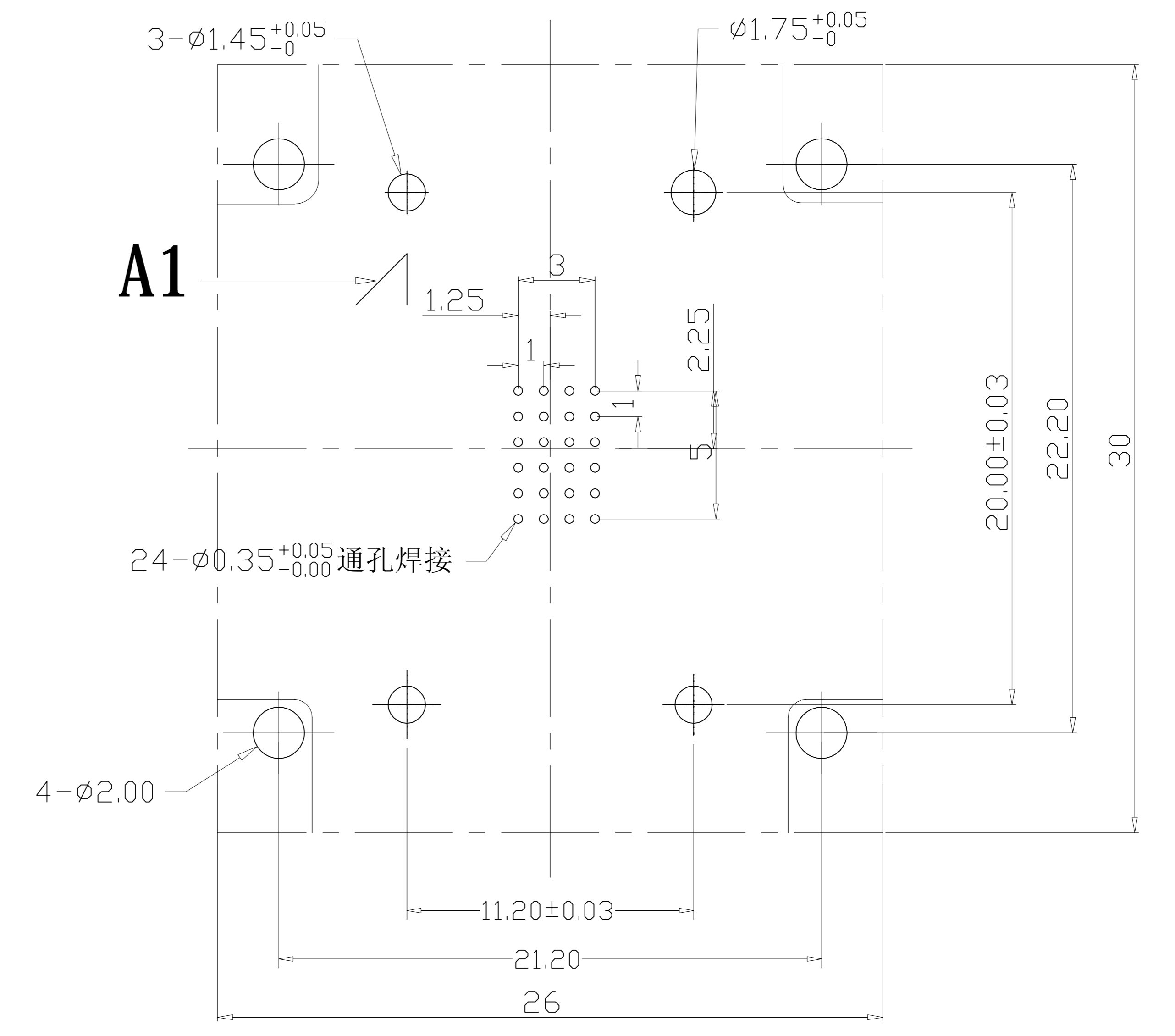
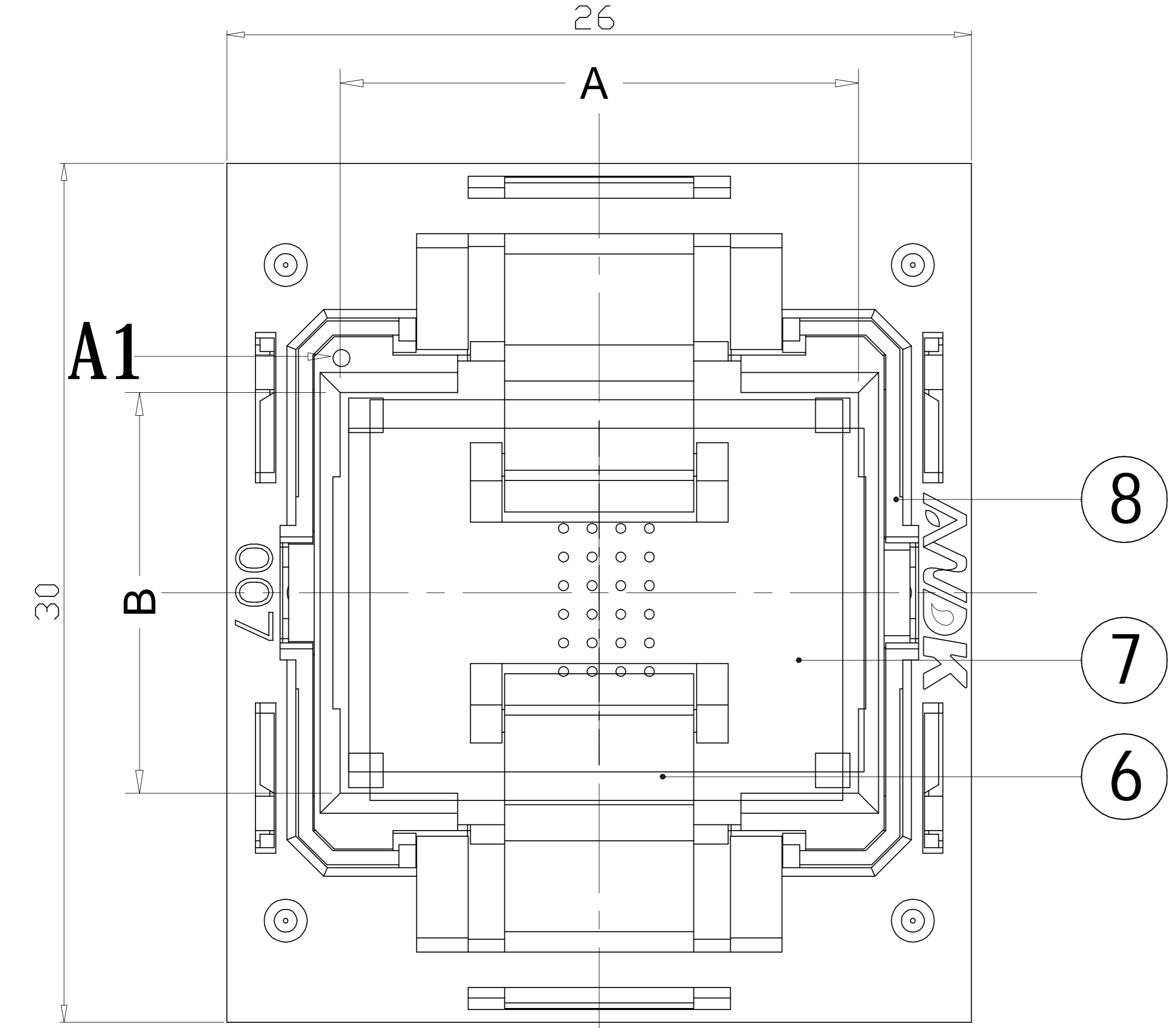
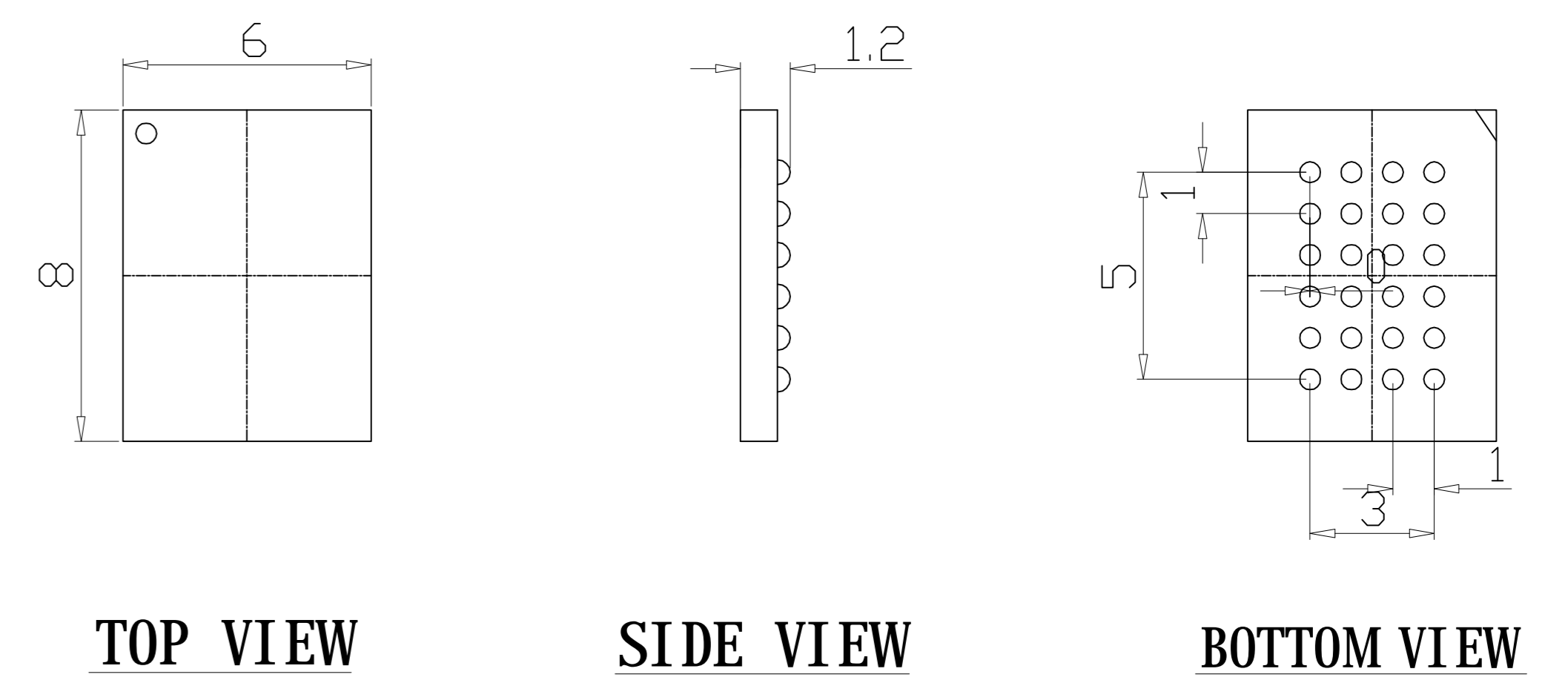


REVISION	DESCRIPTION	CHECK	APP	DATE	REV. NOTICE. NO
△ 1					
△ 2					
△ 3					

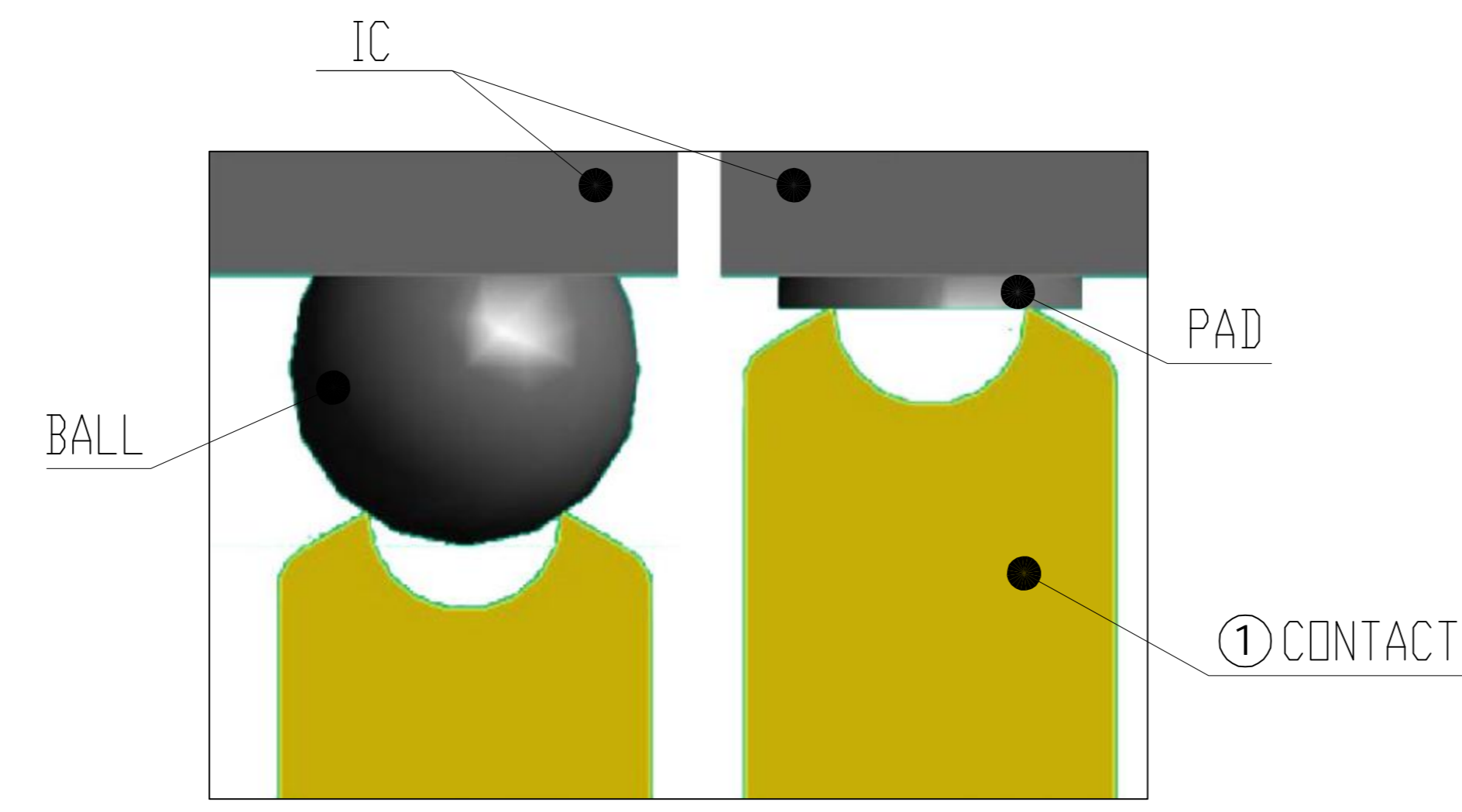
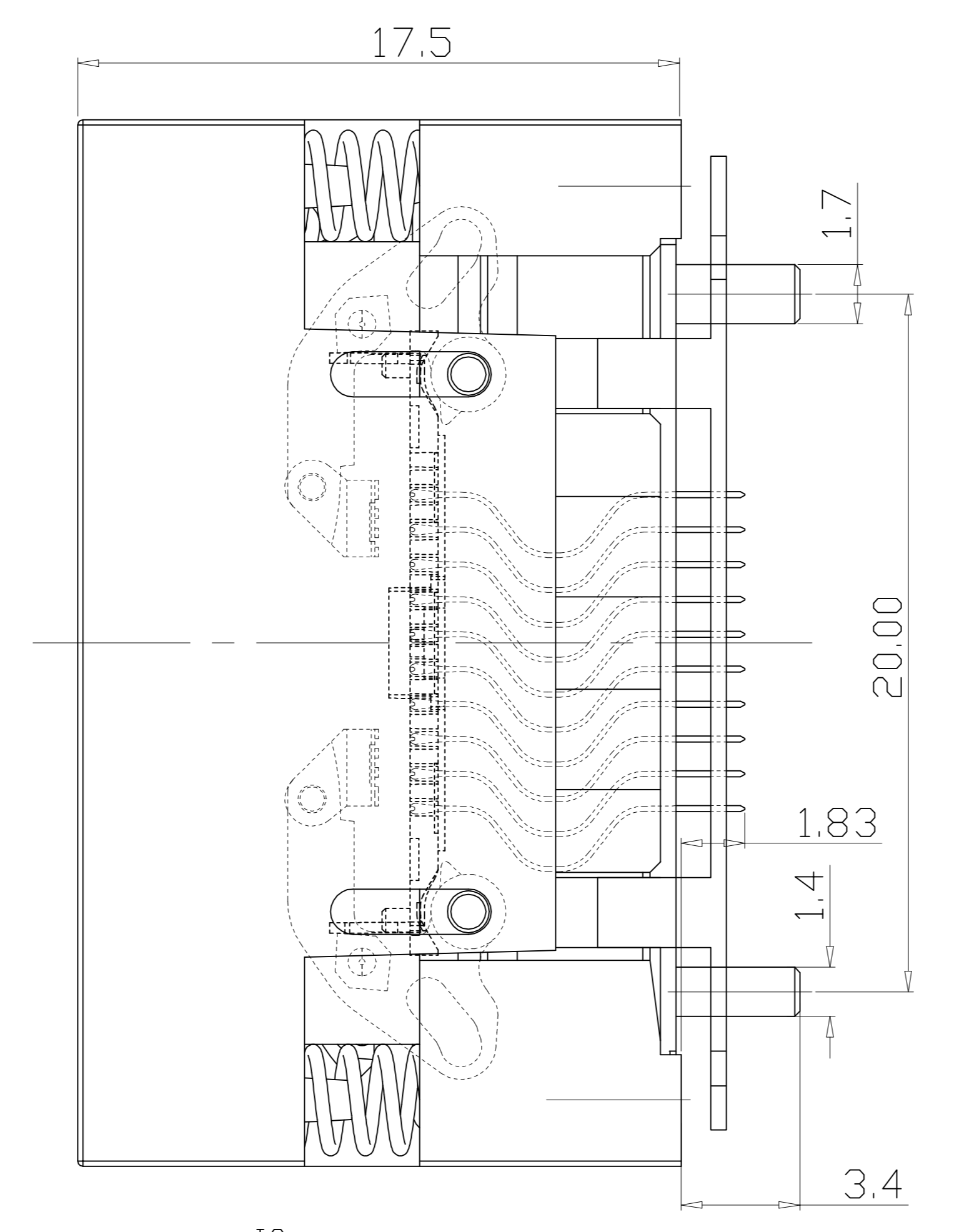
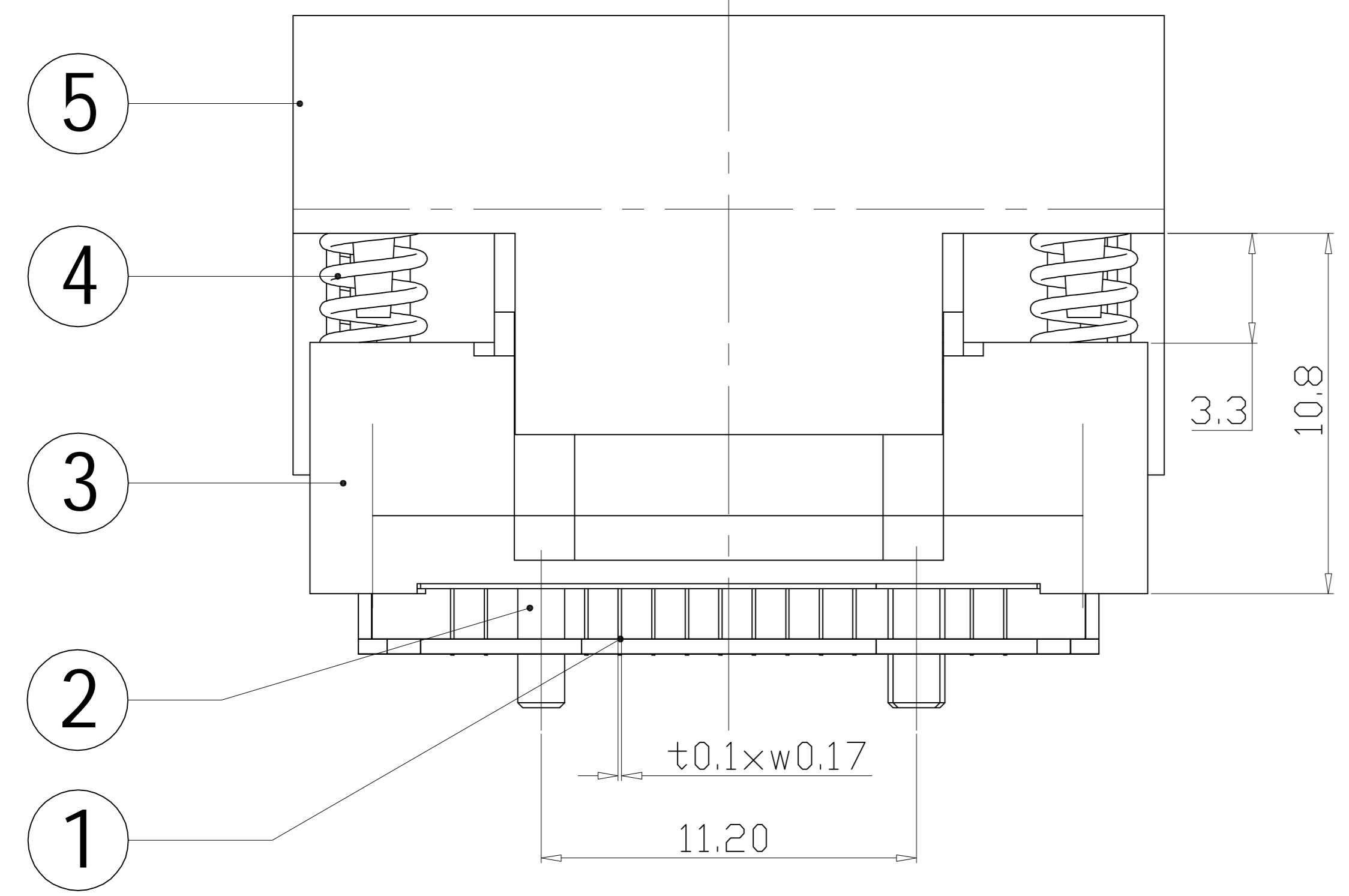
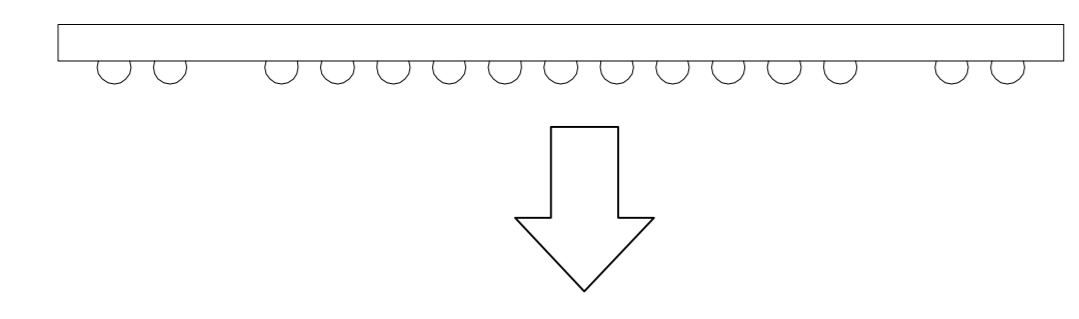
PCB Pattern(TOP View)



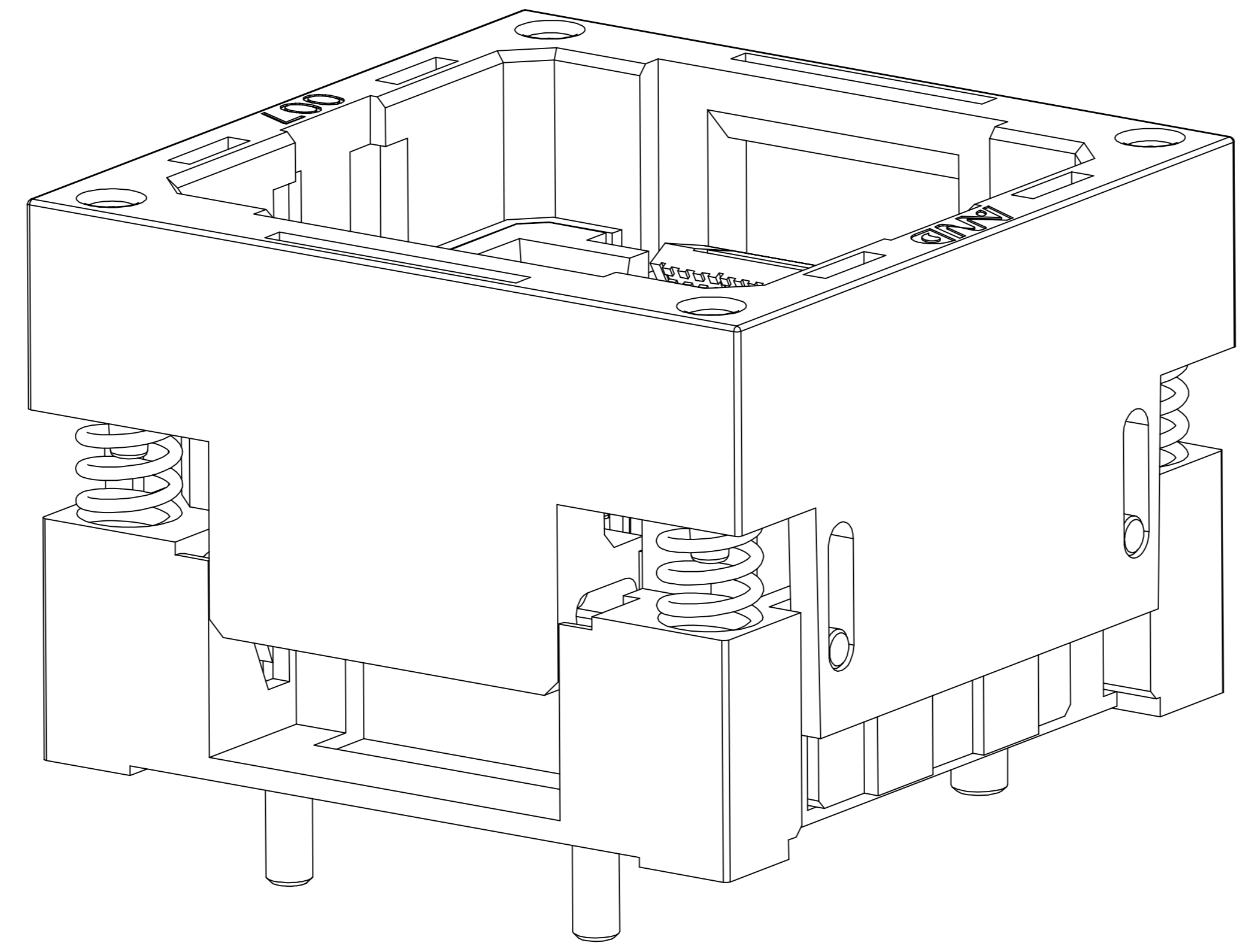
Applicable IC



IC Loading Direction
(Center In)



CONTACT TIP DETAIL



PERFORMANCE

1. Insulation Resistance: 1000MΩ Min.At DC 500V
2. Dielectric Withstanding Voltage For 1 Minute At AC 700V
3. Contact Resistance 30mΩ MAX. at 10mA and 20mV MAX.(Initial)
4. Current Rating: 1A max.
5. Operation Temperature -65°C ~+175°C
6. Life Span 25,000 Times (Mechanical)
7. Testing chips with balls of different size or superficial oxidation,even if no ball

No	Part Number	Name	Material	Q/ty	Note
8	310-048-D105D	IC GUIDE	PEI/PES	2	BLACK
7	310-048-C105D	SLIDER	PEI/PES	1	BLACK
6	310-048-C105D	IC HOLDER	PEI/PES	2	BLACK
5	310-048-B105D	COVER	PEI/PES	1	BLACK
4	20-B-4505B	SPRING	SUS	4	FOR COVER
3	310-048-A105D	BASE	PEI/PES	1	BLACK
2	310-048-F105D	LOCATOR	PEI/PES	3	BLACK
1	04-A-1705	CONTACT	BeCu	24	Au PLATING

TOLERANCE	PROJECTION	GENERAL TOLERANCES	±0.10	TITLE	BGA24-1.0 SOCKET
X. X ± 0.25	DIMENSION: mm	R E V	A	CLASS	BGA24-1.0-TP02NT
X. XX ± 0.10	APP:	SCALE: 1:1		DRW. NO	007-BGA-1.0-24-B-02
X. XXX ± 0.05	CHECK:	DATE:			
	DEGK: ENG03	DATE: 20150716			

