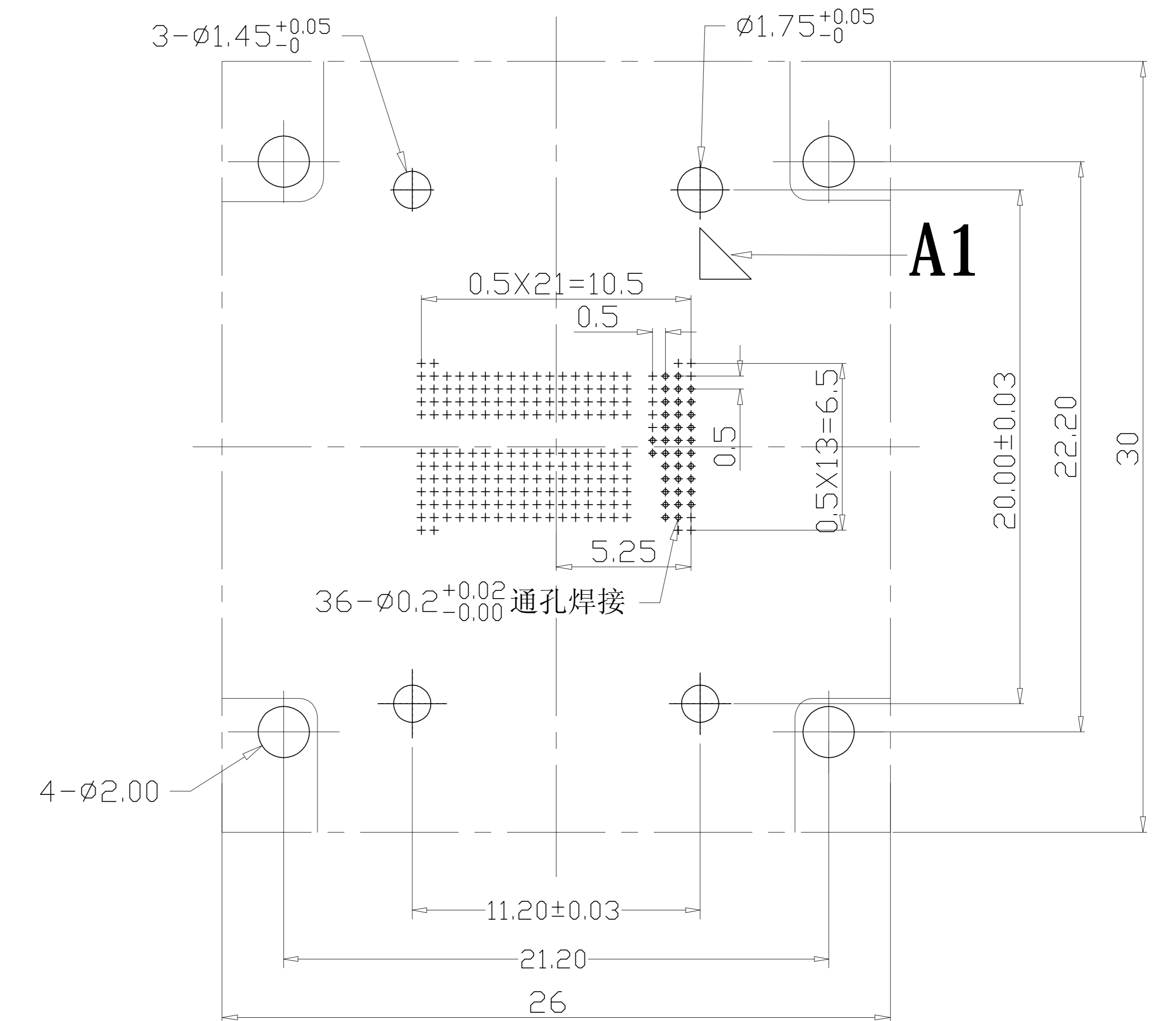
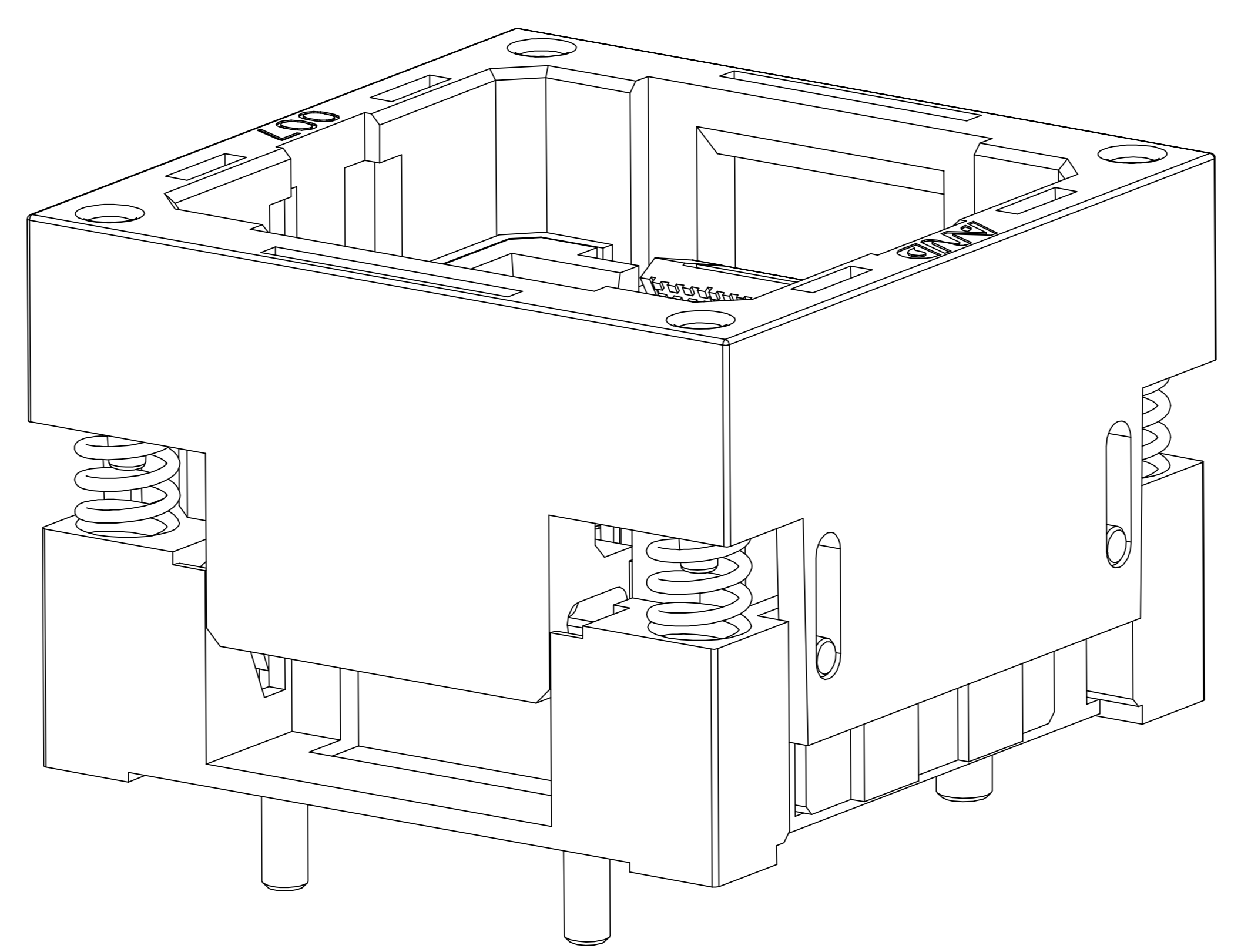
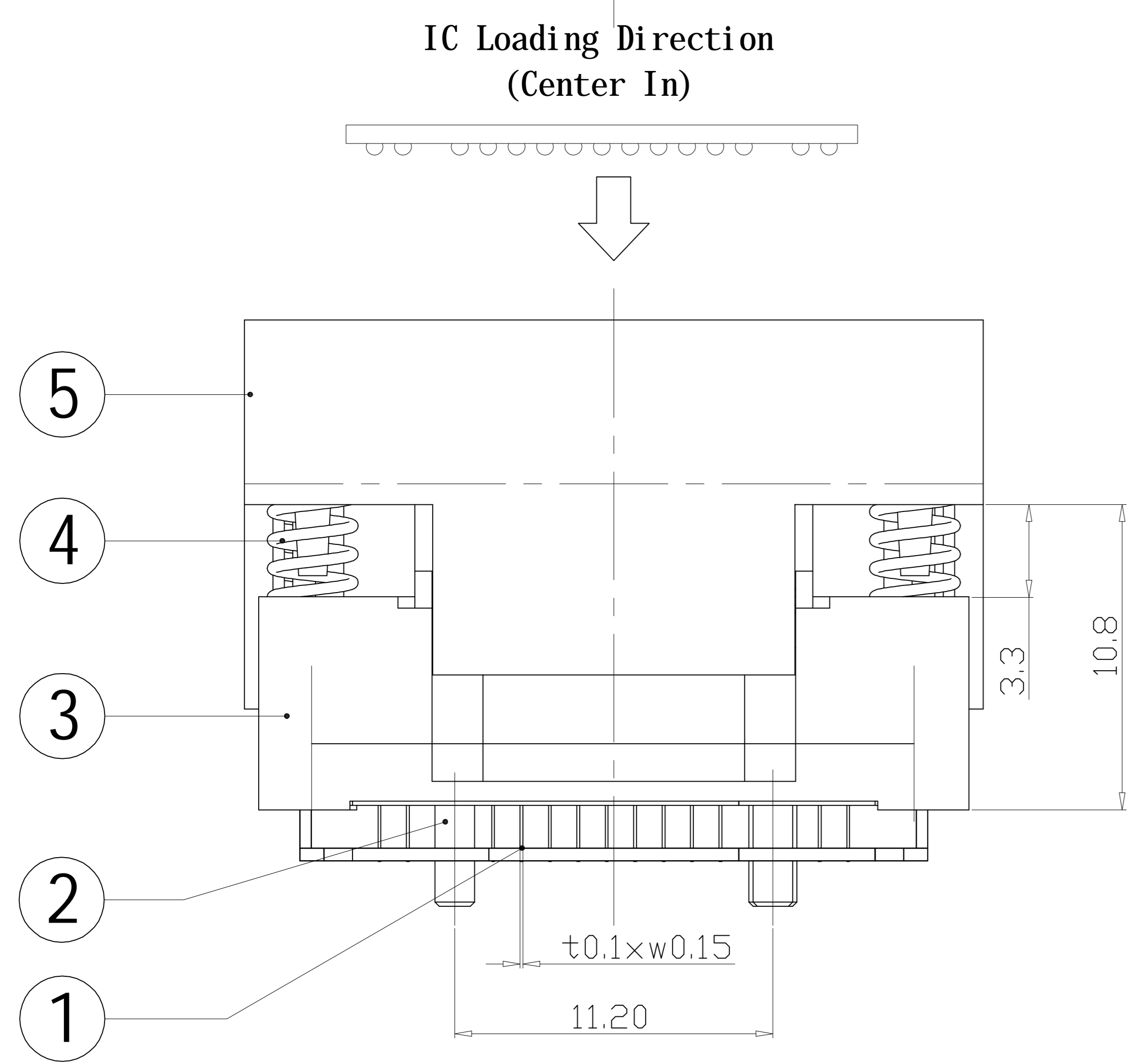
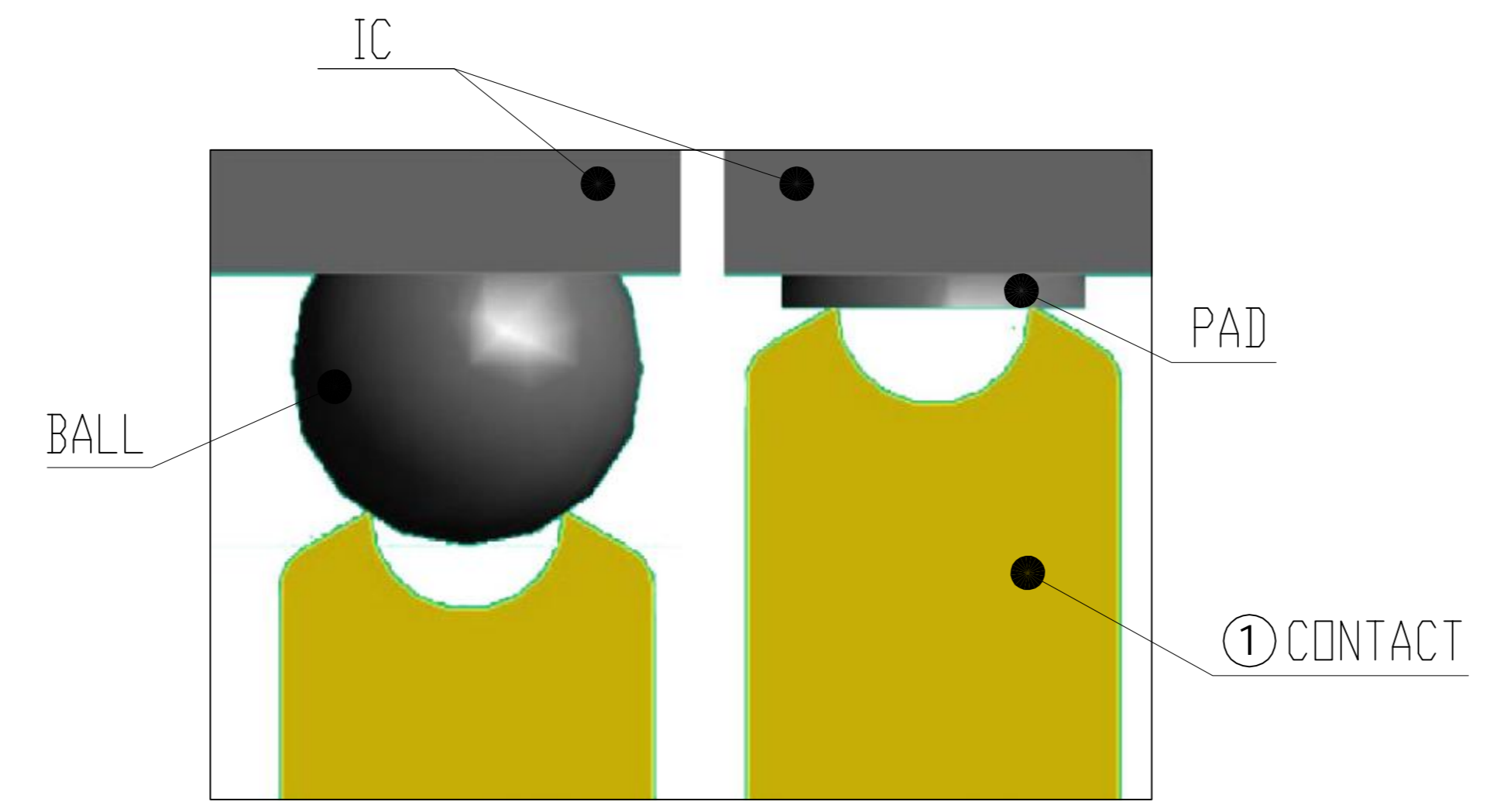
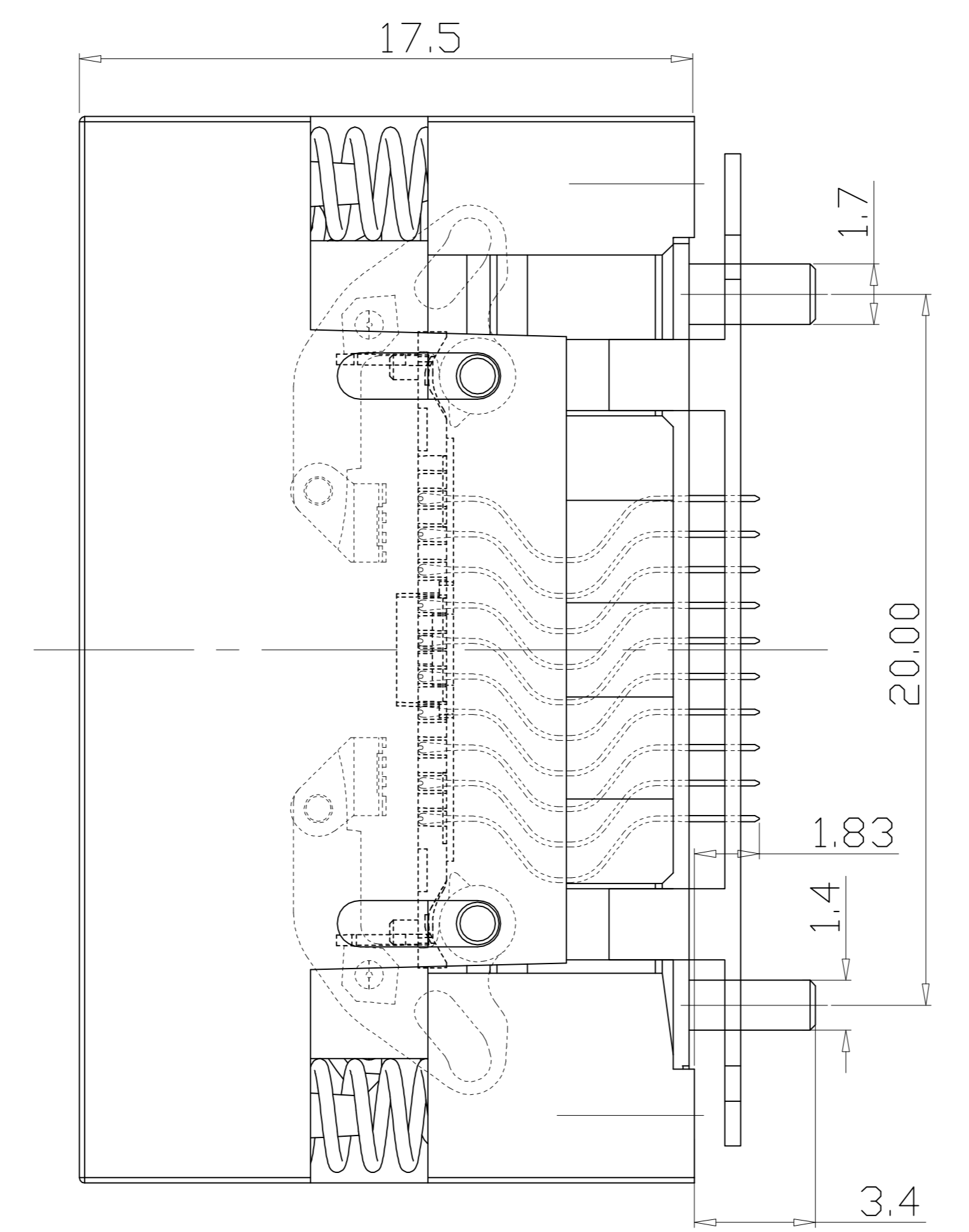
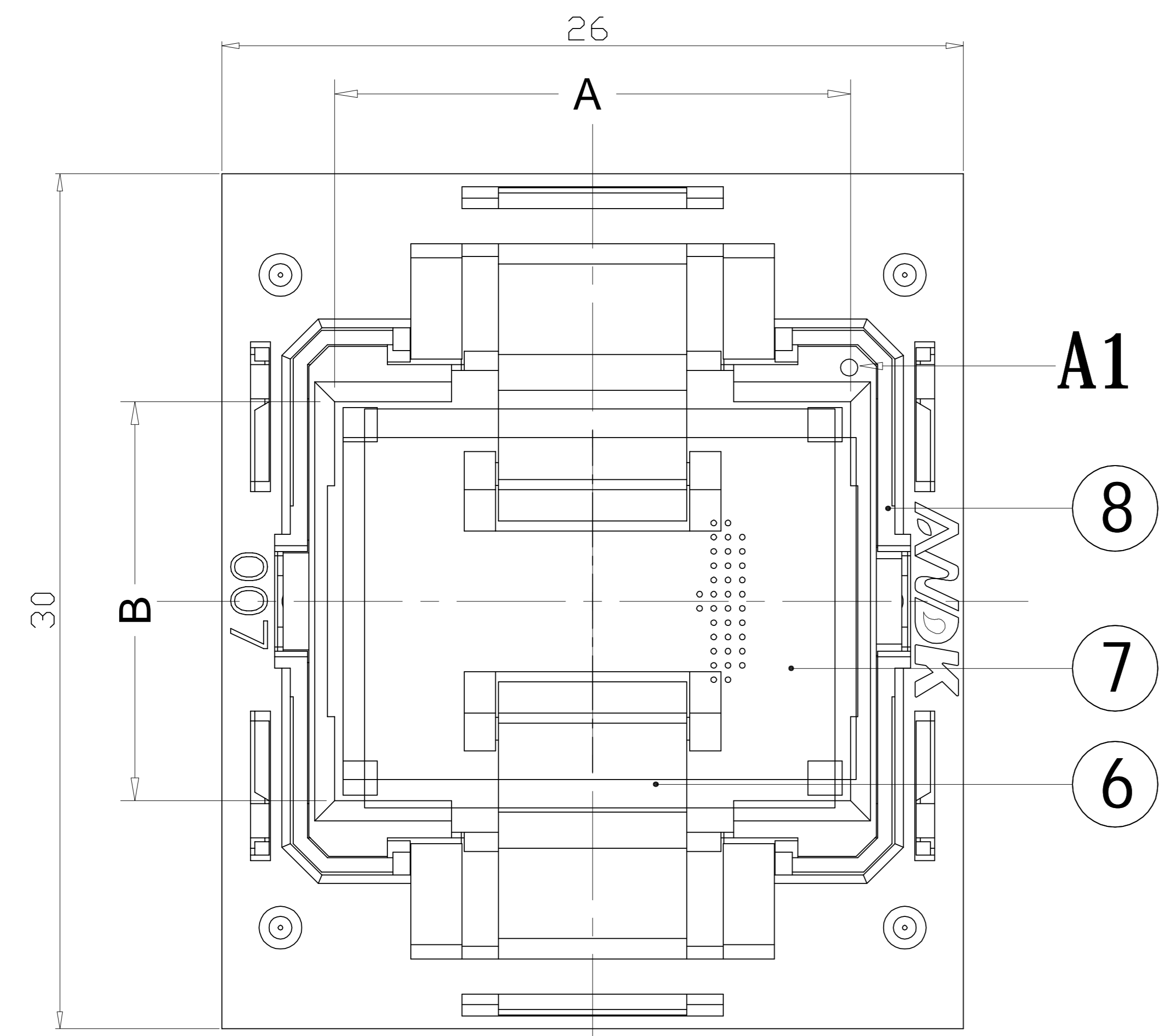
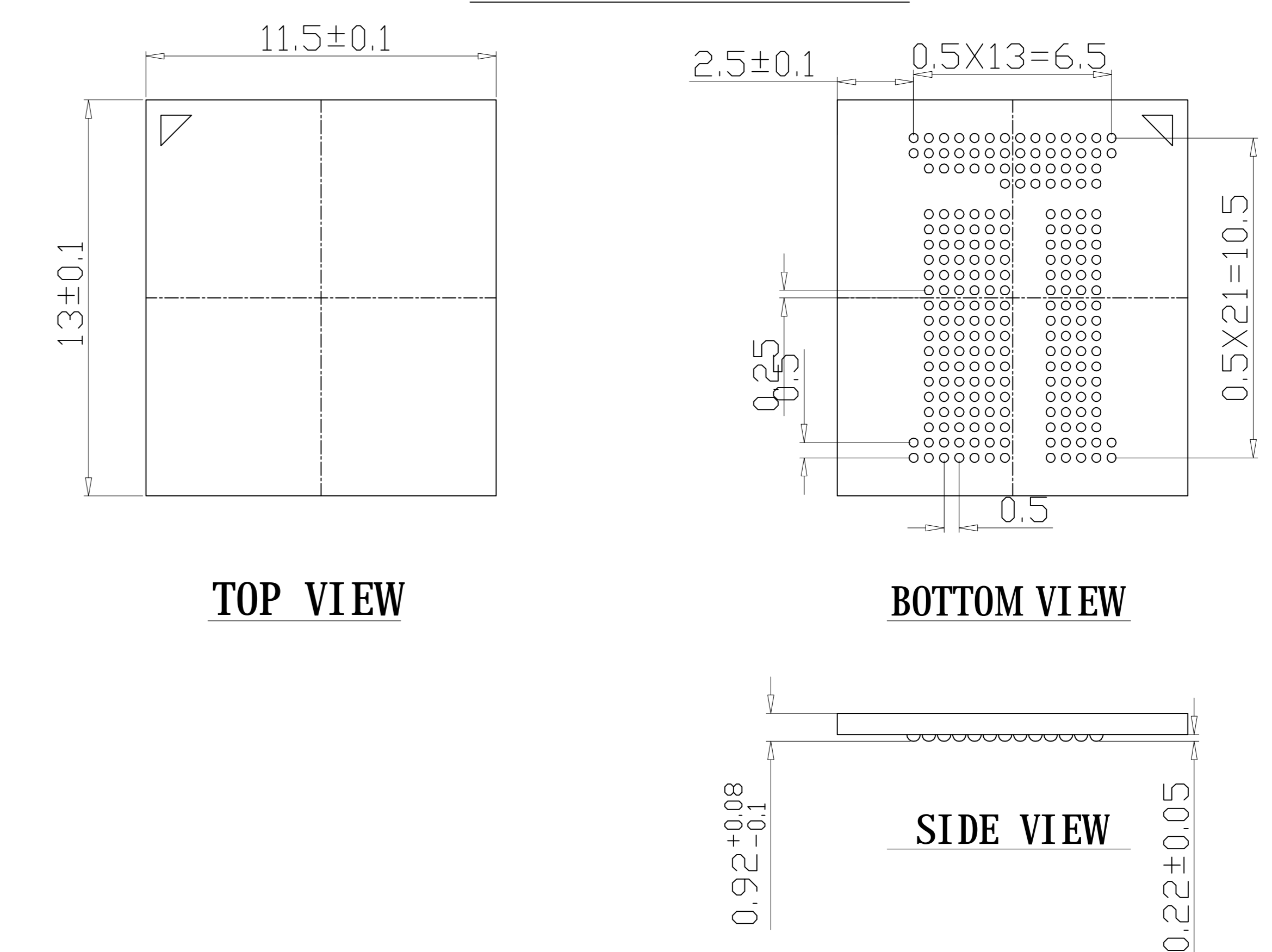


REVISION	DESCRIPTION	CHECK	APP	DATE	REV. NOTICE. NO
△ 1					
△ 2					
△ 3					

PCB Pattern(TOP View)



Applicable IC



PERFORMANCE

1. Insulation Resistance: 1000MΩ Min. At DC 500V
2. Dielectric Withstanding Voltage For 1 Minute At AC 700V
3. Contact Resistance 30mΩ MAX. at 10mA and 20mV MAX.(Initial)
4. Current Rating: 1A max.
5. Operation Temperature -65°C ~+175°C
6. Life Span 25,000 Times (Mechanical)
7. Testing chips with balls of different size or superficial oxidation, even if no ball

No	Part Number	Name	Material	Q/ty	Note
8	310-048-D105D	IC GUIDE	PEI/PES	2	BLACK
7	310-048-C105D	SLIDER	PEI/PES	1	BLACK
6	310-048-C105D	IC HOLDER	PEI/PES	2	BLACK
5	310-048-B105D	COVER	PEI/PES	1	BLACK
4	20-B-4505B	SPRING	SUS	4	FOR COVER
3	310-048-A105D	BASE	PEI/PES	1	BLACK
2	310-048-F105D	LOCATOR	PEI/PES	3	BLACK
1	04-A-1705	CONTACT	BeCu	36	Au PLATING

TOLERANCE	PROJECTION	GENERAL TOLERANCES	REVISION	TITLE
X. ± 0.50	DIMENSION: mm	±0.10	A	eMMC221-0.5 SOCKET
X.X ± 0.25	APP:	SCALE: 1:1	CLASS	eMMC36 (221)-0.5-TPO1NT
X.XX ± 0.10	CHECK:	DATE:	DRW. NO	007-FBGA-0.5-221(36)-11.5X13-B-01
X.XXX ± 0.05	DEGK: ENG03	DATE: 20160311		

