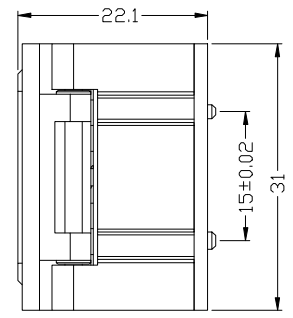
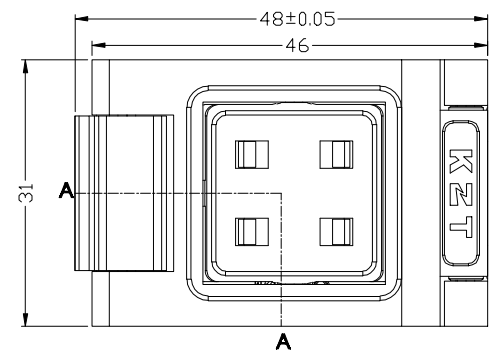
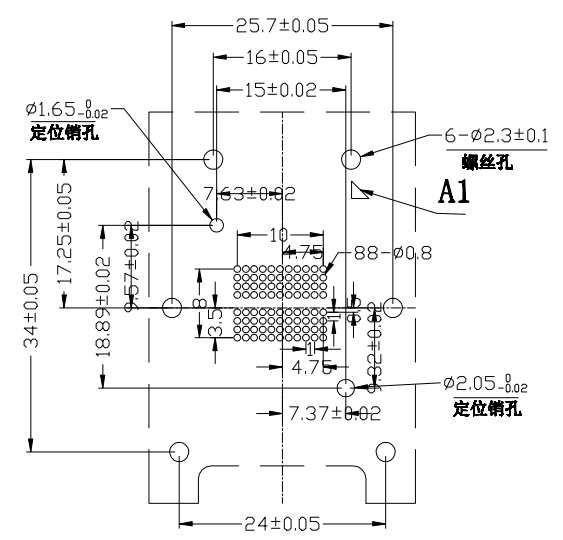


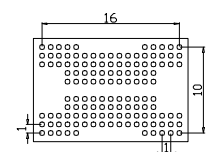
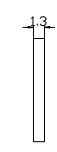
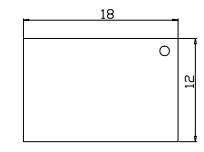
REVISION	DESCRIPTION	CHECK	APP	DATE	REV. NOTICE. NO
△1					
△2					
△3					



PCB PATTERN (TOP VIEW)



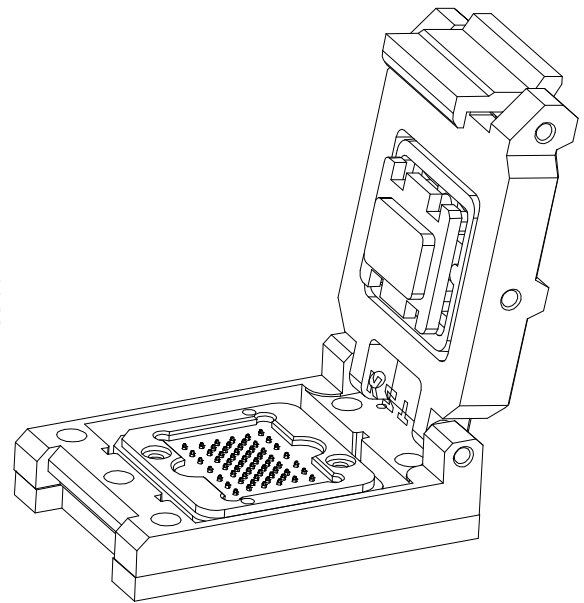
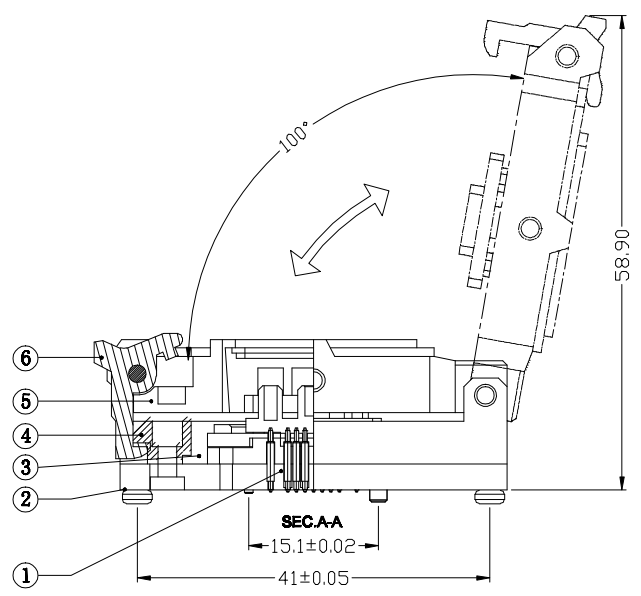
APPL ICABLE IC



TOP VIEW

SIDE VIEW

BOTTOM VIEW



No	Part Number	Name	Material	Q'ty	Note
8	02-B-0505	LENS	PES	1	BLACK
7	10-B-4524	SHAFT	C2700W-1/2H	1	BLACK
6	P0001-04	LATCH	Nylon	1	BLACK
5	P0001-02	OUTER LID	Nylon	1	BLACK
4	P0001-01	BASE	Nylon	1	BLACK
3	101209-02	TOP PLATE	FR4	1	--
2	101209-01	BOTTOM PLATE	FR4	1	--
1	05-A-2011	PDGO PIN	BeCu	88	Au PLATING

PROJECTION	GENERAL TOLERANCES	±0.10	TITLE	BGA132 CLAMSHELL SOCKET
	R E V	A	CLASS	CLAMSHELL SOCKET
DIMENSION:	mm	SCALE:	1:1	DRV. NO
APP:		DATE:		BGA132-CP01PNL
20000		DATE:		
DEGK:	ZAD	DATE:	20200422	



注：本图档只属产品示意图，交货时请以实物为准。凯智通拥有最终解释权！