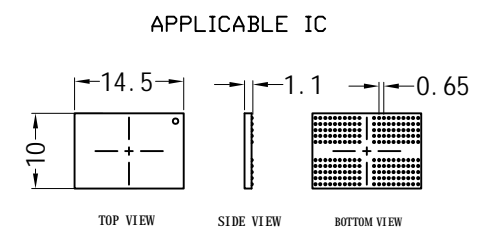
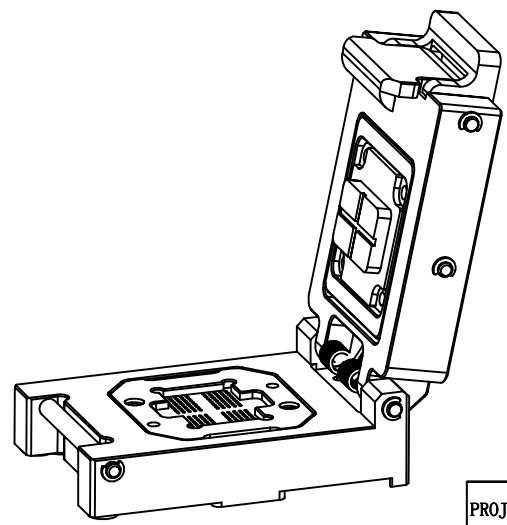
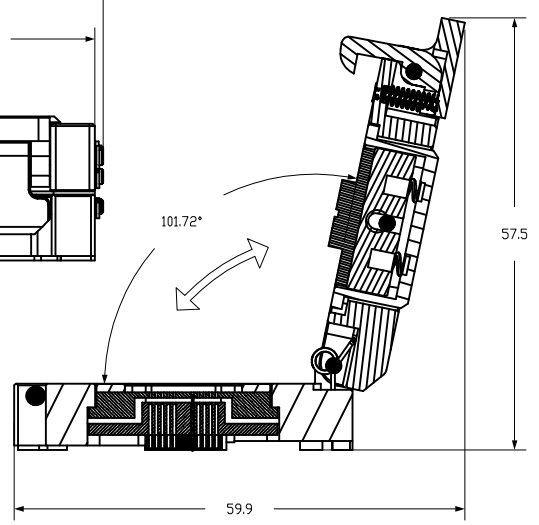
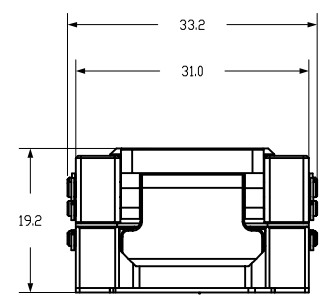
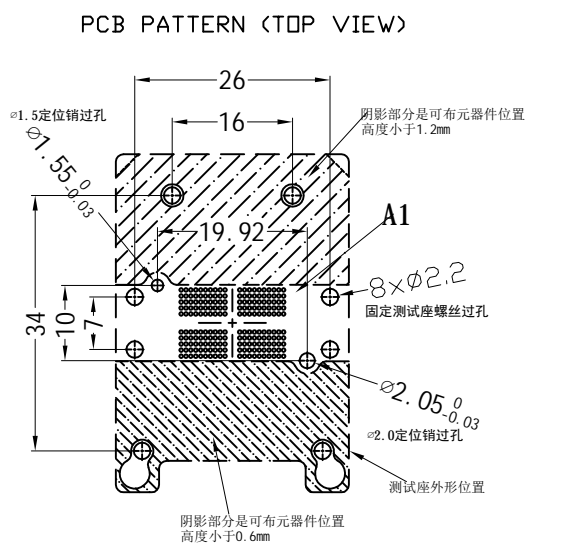
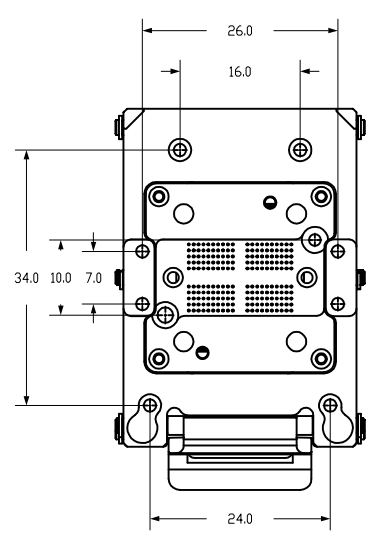
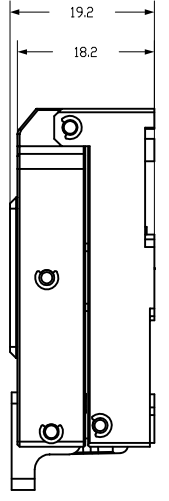
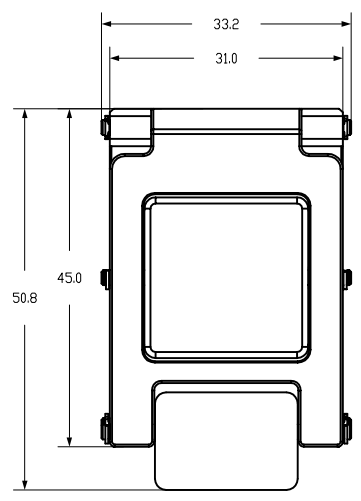


10		11		12	
REVISION	DESCRIPTION	CHECK	APP	DATE	REV. NOTICE. NO
△1					
△2					
△3					



PROJECTION		GENERAL TOLERANCES	±0.10	TITLE	LPDDR200 CLAMSHELL SOCKET
		REV	A	CLASS	CLAMSHELL SOCKET
DIMENSION:	mm	SCALE:	1:1	DRW. NO	LPDDR200-0650-AS01PNL
APP:		DATE:		 KaiZhiTong Micro Electronic L., ltd http://www.icsocket.net www.kzt.cc	
CHECK:		DATE:			
DEGK:	xxx	DATE:	20210415		

注：本图档只属产品示意图，交货时请以实物为准。凯智通拥有最终解释权！