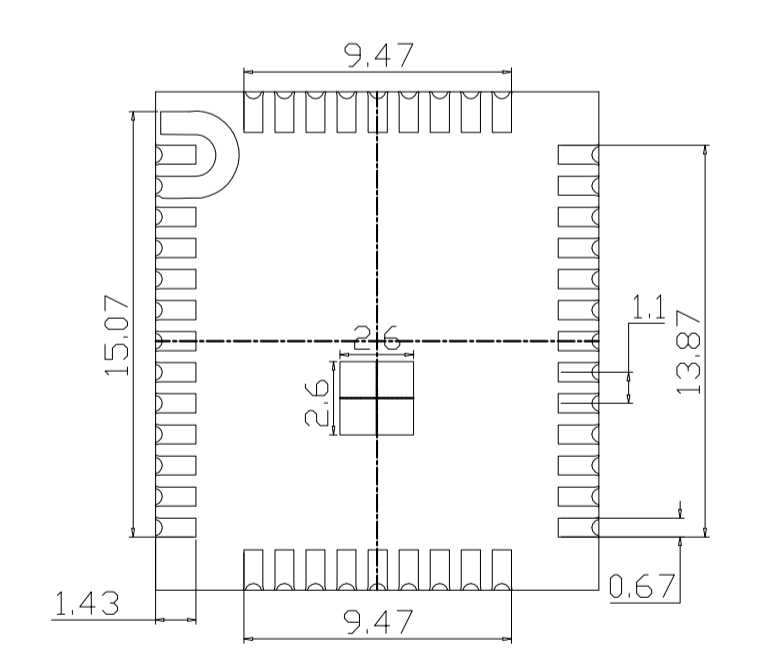
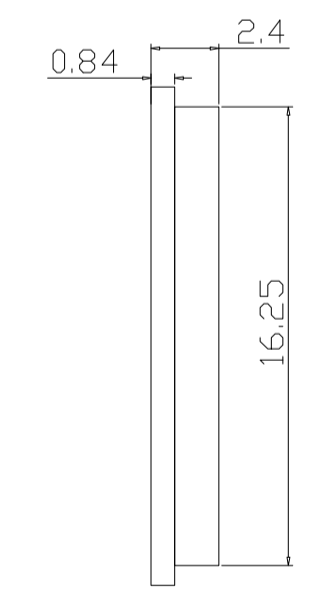
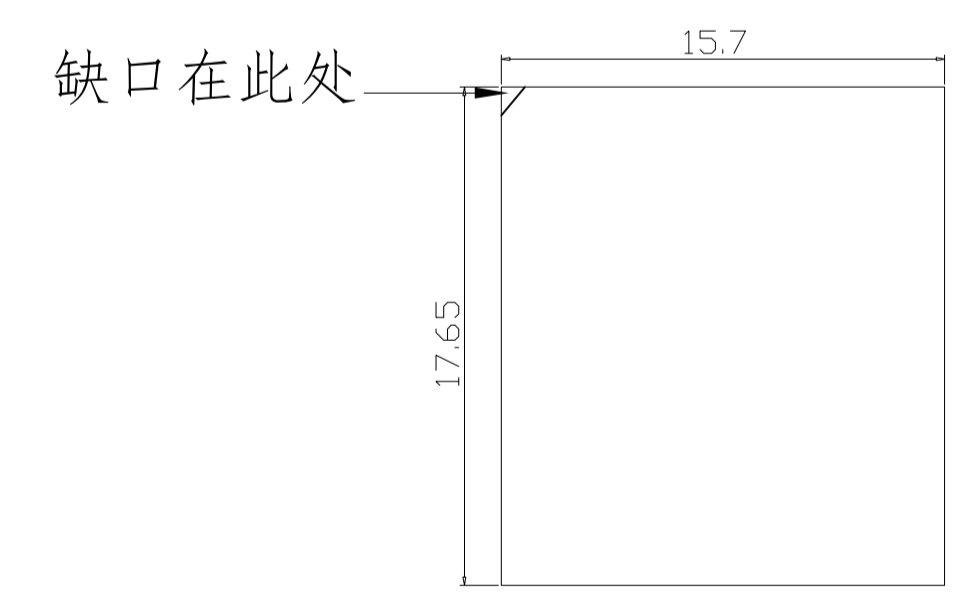
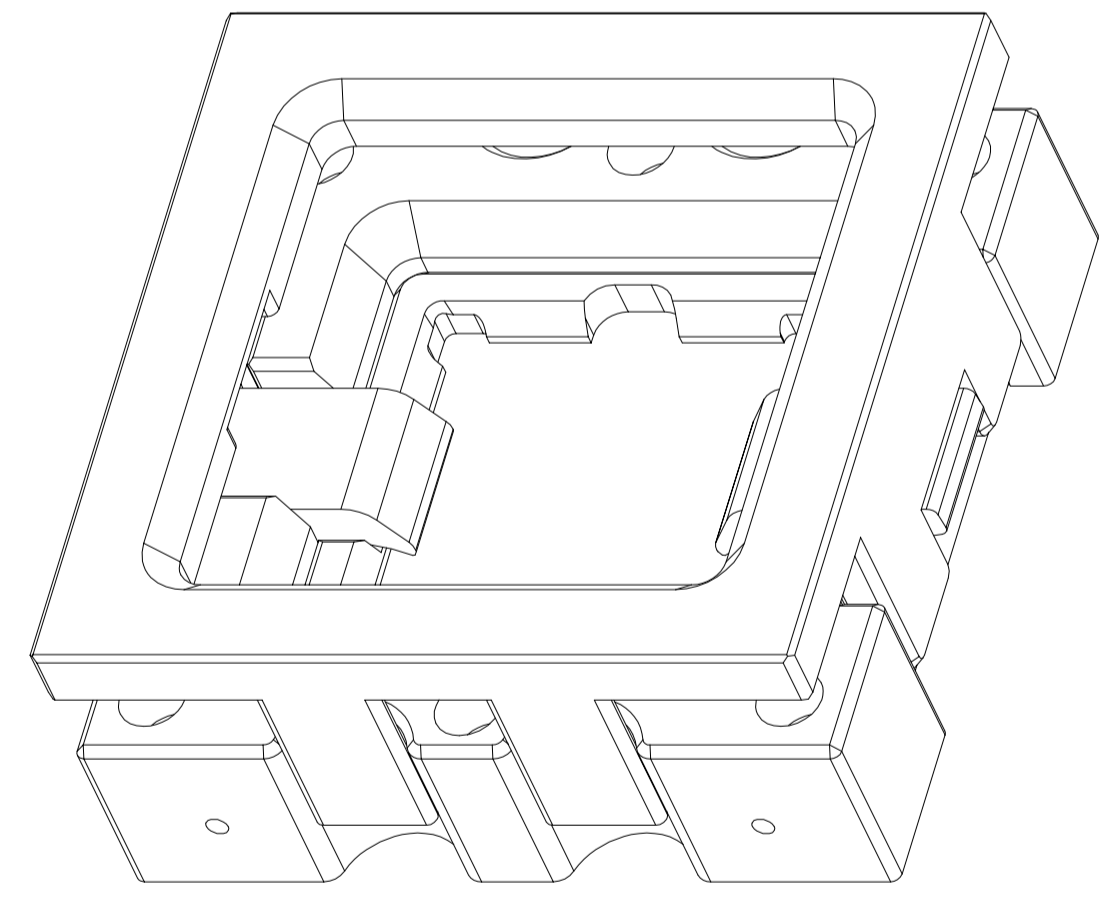
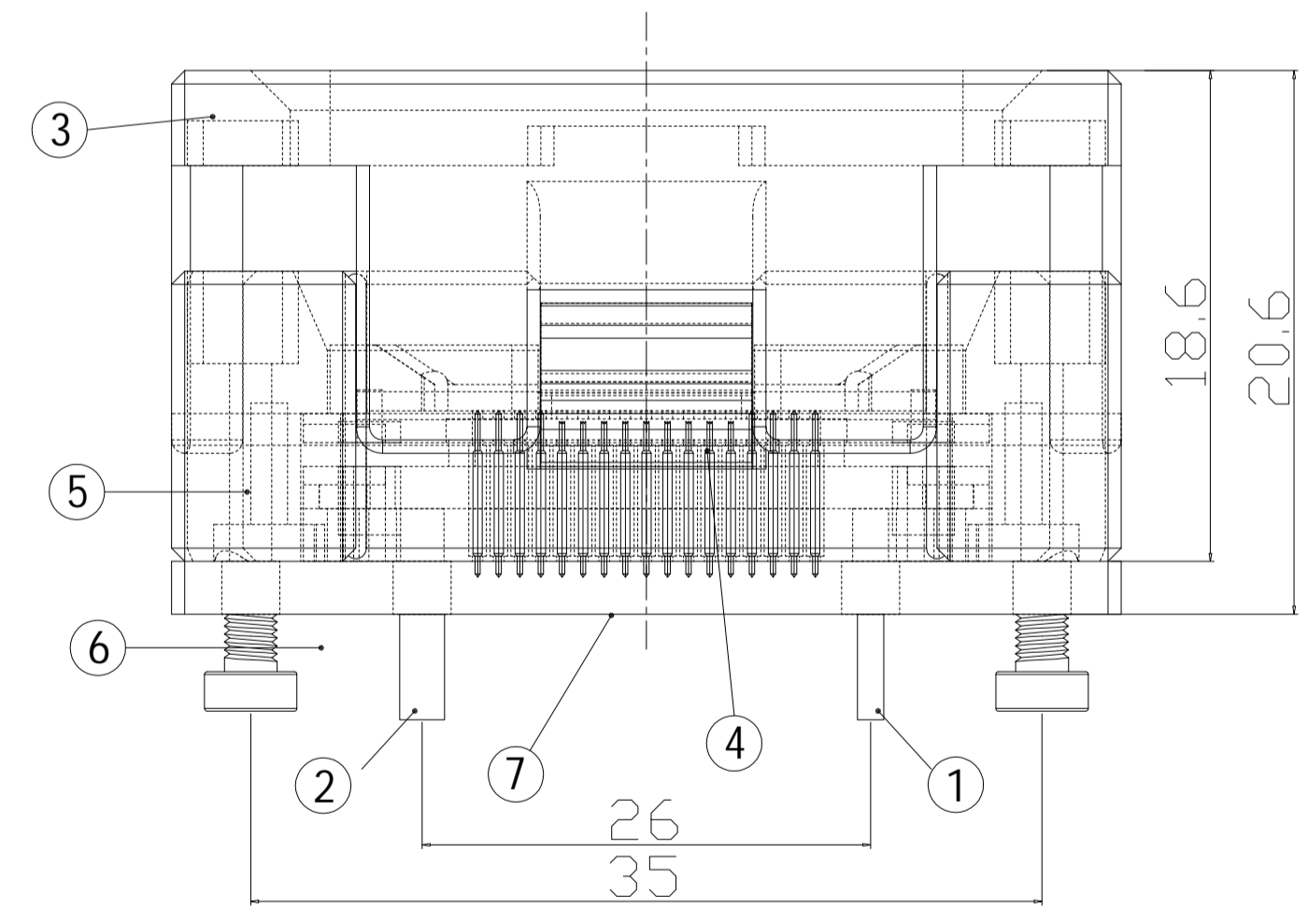
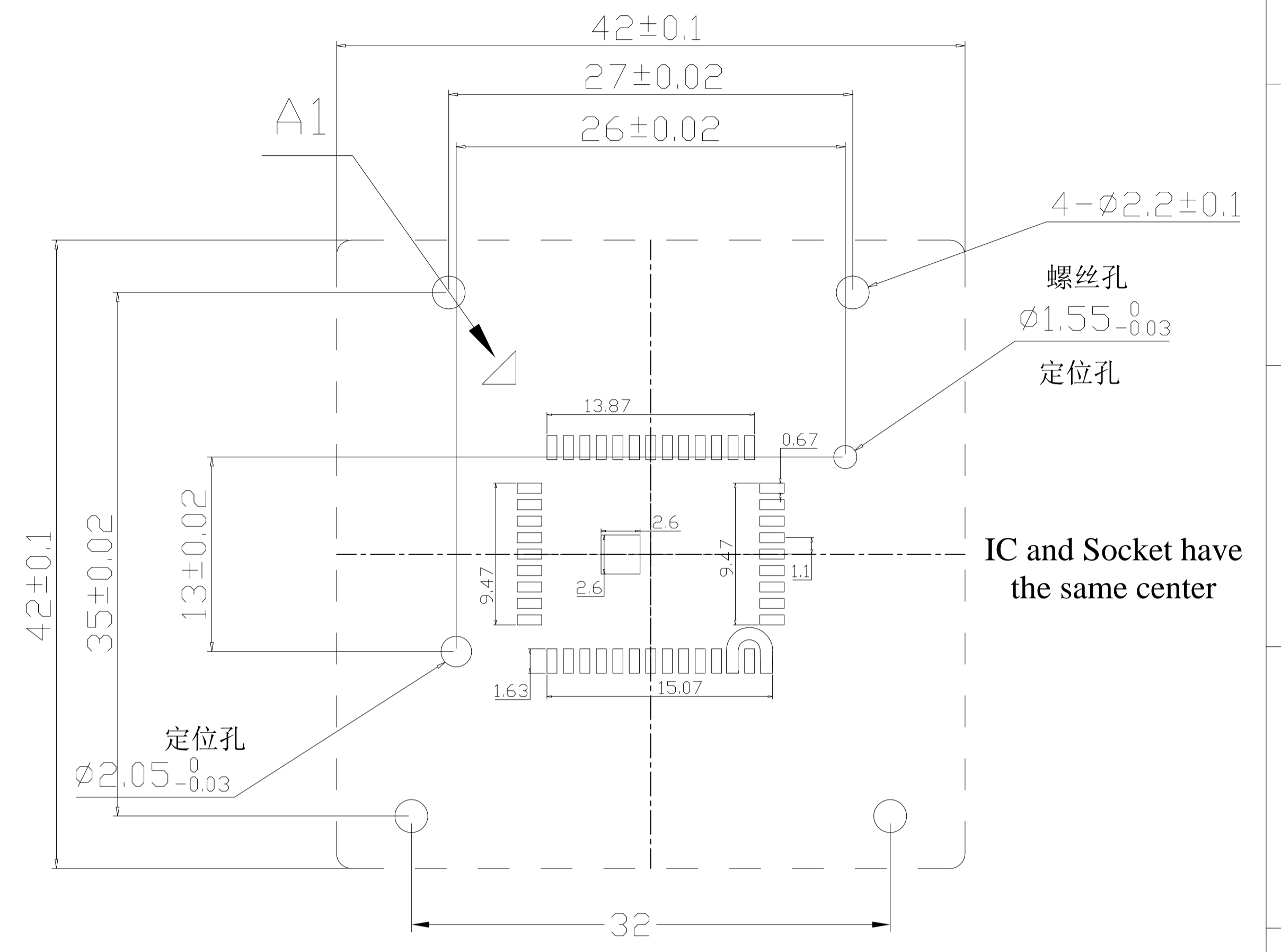
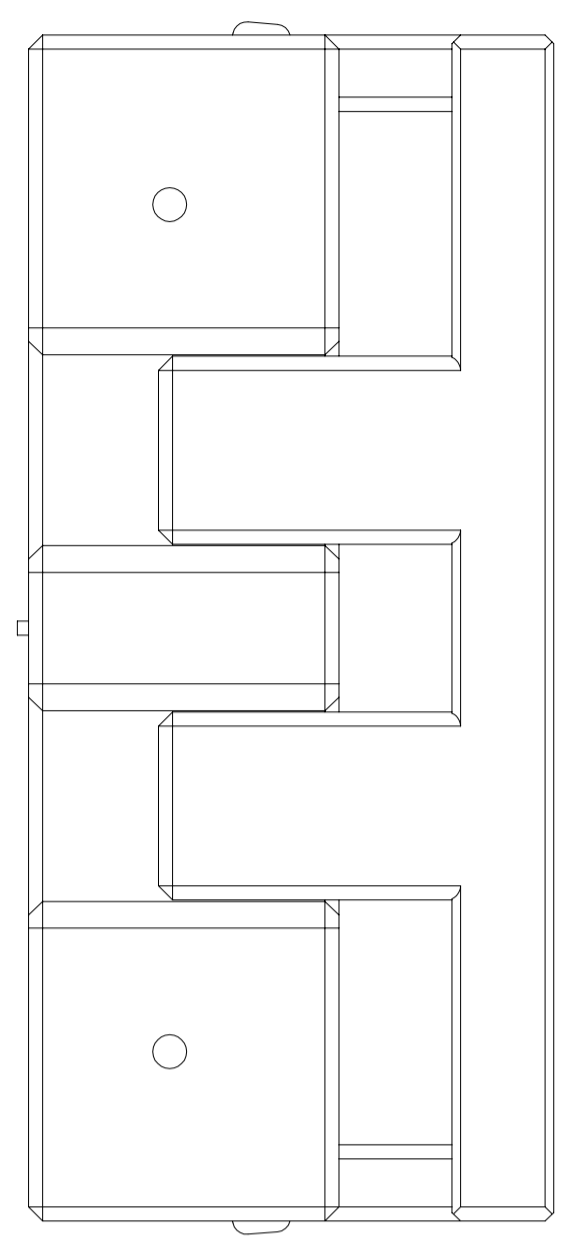
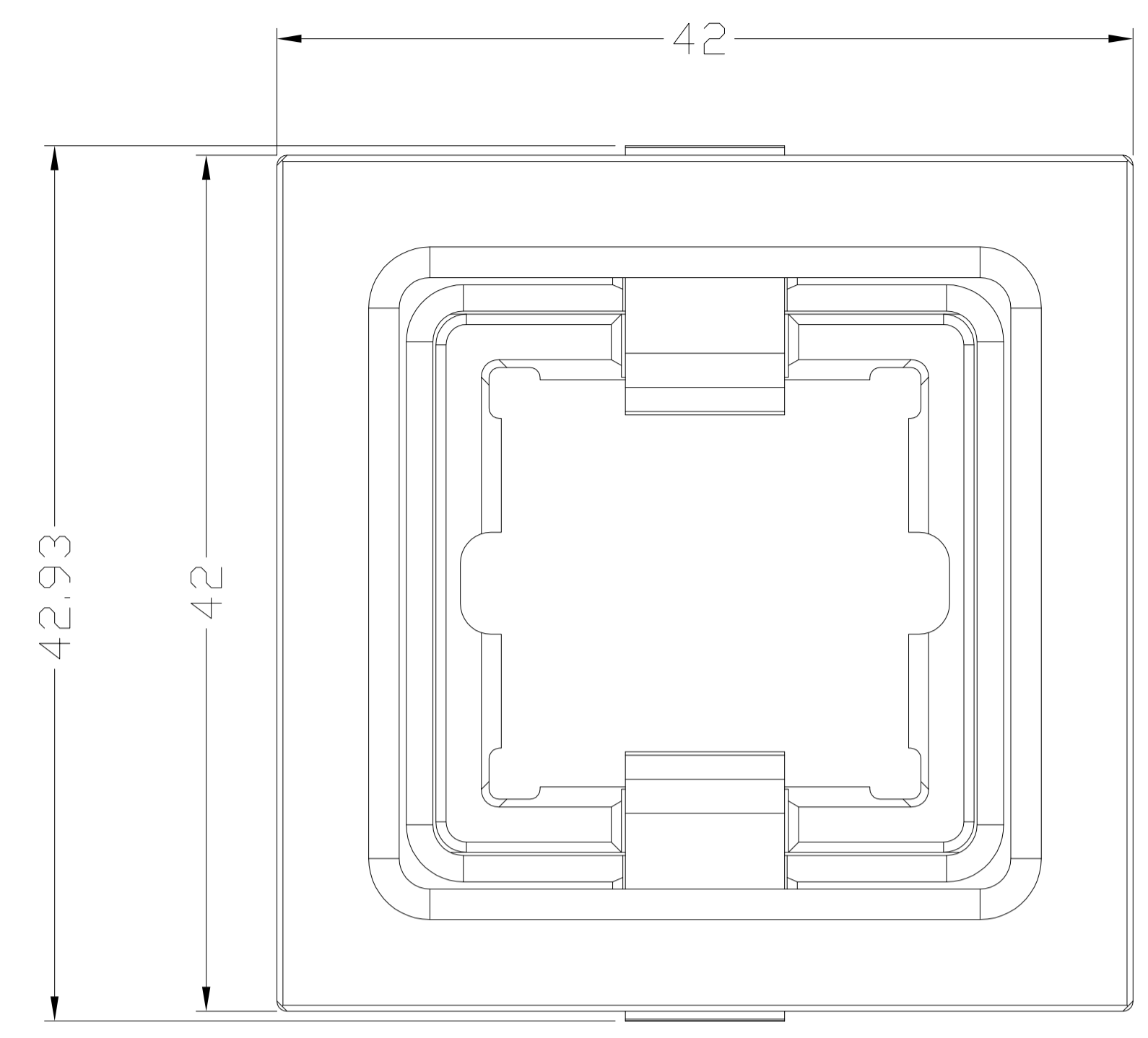


REVISION	DESCRIPTION	CHECK	DATE	REV. NOTICE. NO
△ 1				
△ 2				
△ 3				



TOP VIEW

SIDE VIEW

BOTTOM VIEW

No	Part Number	Name	Material	Q/ty	Note
7	04-A-1733	POGO PIN	BeCu	44	Au PLATING
6	06-B-2570	SCREW	STAINLESS	4	M2X5.5L
5	210-048-E105D	BASE	AL6061	1	BEIGE
4	210-048-S105D	IC HOLDER	AL6061	2	BEIGE
3	210-048-D105D	COVER	AL6061	1	
2	09-B-4005	DOWEL PIN	STAINLESS	1	∅2.0X5.0L
1	09-B-4003	DOWEL PIN	STAINLESS	1	∅1.5X5.0L

PROJECTION	GENERAL TOLERANCES	TITLE
	±0.10	模块测试座 SOCKET
DI MENSION: mm	R E V A	CLASS OPEN TOP SOCKET
APP:	SCALE: 1:1	DRW. NO UMN601模块测试座 SOCKET
CHECK: 0917323	DATE:	 KaiZhiTong Micro Electronic L., Ltd <a href="http://www.icsocket.net">http://www.icsocket.net</a> <a href="http://www.kzt.cc">www.kzt.cc</a>
DEGK: LWH	DATE: 20201116	

由 Autodesk 教育版产品制作

由 Autodesk 教育版产品制作